

UR20-1SSI

Weidmüller Interface GmbH & Co. KG

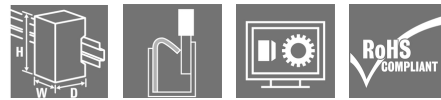
Klingenbergstraße 26

D-32758 Detmold

Germany

www.weidmueller.com

Product image



Digital counter and communication modules 100/500 kHz; 32-bit counter resolution; individual channel diagnosis

Incremental and absolute value encoders have become indispensable in today's automated systems. Developed especially for these applications, Weidmüller offers you various counter modules that can accept an input frequency up to 500 kHz. The synchronous-serial interface (SSI) module allows high precision positioning tasks to be realised with absolute value encoders. The module can be parameterised for listening or master mode operation in order to cope with all fields of application. A module with pulse input is available to you for frequency measurement up to 100 kHz and the UR20-1CNT-500 offers an input that can accept frequencies up to 500 kHz. The UR20-2CNT-100 module has two independent counter inputs; it is supplemented with the UR20-1CNT-100-1DO module with one counter, which however offers additional options thanks to a latch, gate and reset input. This allows external control of the counter. In addition, this module can trigger an immediate event via a digital output using a set reference value.

The UR20-1COM-232-485-422 module offers you extended communication options; for example devices can be integrated consistently in u-remote systems via an RS232, RS485 or RS422 interface. The UR20-1COM-

SAI-PRO module presents a solution for connecting the control cabinet to the field. This gateway allows the integration of up to 15 decentral IP67 SAI-PRO Subbus modules per u-remote module.

The module electronics supply the connected sensors with power from the input current path (UIN).

General ordering data

| | |
|-------------------|--|
| Version | Remote I/O module, IP20 |
| Order No. | 1508090000 |
| Type | UR20-1SSI |
| GTIN (EAN) | 4050118317046 |
| Qty. | 1 pc(s). |
| Replacement parts | 1350930000 1515490000 1559870000 |

Creation date February 20, 2023 4:56:41 PM CET

Catalogue status 03.02.2023 / We reserve the right to make technical changes.

UR20-1SSI

Weidmüller Interface GmbH & Co. KG

Klingenbergstraße 26

D-32758 Detmold

Germany

www.weidmueller.com

Technical data

Dimensions and weights

| | | | |
|-----------------------------|---------|-----------------|------------|
| Depth | 76 mm | Depth (inches) | 2.992 inch |
| Height | 120 mm | Height (inches) | 4.724 inch |
| Width | 11.5 mm | Width (inches) | 0.453 inch |
| Mounting dimension - height | 128 mm | Net weight | 87 g |

Temperatures

| | | | |
|-----------------------------|-------------------|-----------------------------|-------------------|
| Storage temperature | -40 °C ... +85 °C | Operating temperature | -20 °C ... +60 °C |
| Operating temperature, min. | -20 °C | Operating temperature, max. | 60 °C |

digital inputs

| | | | |
|-----------------------------|-----|---------------|-----|
| Reverse polarity protection | Yes | Sensor supply | Yes |
|-----------------------------|-----|---------------|-----|

Connection data

| | | | |
|--|----------------------|--|----------------------|
| Type of connection | PUSH IN | Wire connection cross section, finely stranded, max. | 1.5 mm ² |
| Wire connection cross section, finely stranded, min. (AWG) | 0.14 mm ² | Wire cross-section, finely stranded, max. (AWG) | AWG 16 |
| Wire cross-section, finely stranded, min. (AWG) | AWG 26 | Wire cross-section, solid, max. | 1.5 mm ² |
| Wire cross-section, solid, max. (AWG) | AWG 16 | Wire cross-section, solid, min. | 0.14 mm ² |
| Wire cross-section, solid, min. (AWG) | AWG 26 | | |

General data

| | | | |
|--------------------------|--|---------------------------|--|
| Air humidity (operation) | 10% to 95%, non-condensing as per DIN EN 61131-2 | Air humidity (storage) | 10% to 95%, non-condensing as per DIN EN 61131-2 |
| Air humidity (transport) | 10% to 95%, non-condensing as per DIN EN 61131-2 | Air pressure (operation) | ≥ 795 hPa (height ≤ 2000 m) as per DIN EN 61131-2 |
| Air pressure (storage) | 1013 hPa (height 0 m) to 700 hPa (height 3000 m) as per DIN EN 61131-2 | Air pressure (transport) | 1013 hPa (height 0 m) to 700 hPa (height 3000 m) as per DIN EN 61131-2 |
| Pollution severity | 2 | Rail | TS 35 |
| Shock | 15 g over 11 ms, half sinus wave, acc. to IEC 60068-2-27 | Surge voltage category | II |
| Test voltage | 500 V | UL 94 flammability rating | V-0 |
| Vibration resistance | 5 Hz ≤ f ≤ 8.4 Hz: 3.5-mm amplitude as per IEC 60068-2-6, 8.4 Hz ≤ f ≤ 150 Hz: 1 g acceleration as per IEC 60068-2-6 | | |

Power supply

| | | | |
|---|--|--|---------------------|
| Current consumption from I _{IN} (the respective power segment) | 25 mA + sensor feed | Current consumption from I _{OUT} (the respective power segment) | 25 mA + sensor feed |
| Current consumption from I _{sys} , typ. | 8 mA | Reverse polarity protection | Yes |
| Voltage supply | 24 V DC +20 %/ -15 %, via the system bus | | |

Creation date February 20, 2023 4:56:41 PM CET

Catalogue status 03.02.2023 / We reserve the right to make technical changes.

2

UR20-1SSI

Weidmüller Interface GmbH & Co. KG
 Klingenbergstraße 26
 D-32758 Detmold
 Germany

www.weidmueller.com

Technical data

Serial inputs

| | | | |
|--------------|-----------------------|-------------|-------------------|
| Cable length | max. 320 m at 125 kHz | Data format | Binary, Gray-Code |
| Delay time | 1 µs | SSI mode | Listening, Master |

System data

| | | | |
|--|--|--------------------|------------------------------------|
| Field bus protocol | CANopen, DeviceNet, EtherCAT, EtherNet/IP, Modbus/TCP, PROFINET IRT, PROFIBUS DP-V1, POWERLINK | Galvanic isolation | 500 V DC between the current paths |
| Interface | u-remote system bus | Module type | Functional module |
| Transmission speed of system bus, max. 48 Mbit | | | |

Classifications

| | | | |
|-------------|-------------|-------------|-------------|
| ETIM 6.0 | EC001604 | ETIM 7.0 | EC001604 |
| ETIM 8.0 | EC001604 | ECLASS 9.0 | 27-24-26-08 |
| ECLASS 9.1 | 27-24-26-08 | ECLASS 10.0 | 27-24-26-08 |
| ECLASS 11.0 | 27-24-26-08 | ECLASS 12.0 | 27-24-26-08 |

Environmental Product Compliance

| | |
|------------|--------------------------------------|
| REACH SVHC | Lead 7439-92-1 |
| SCIP | 82327f13-cd27-455a-ab5b-a62e1996dcf8 |

Approvals

Approvals



| | |
|---------------------------|------------|
| ROHS | Conform |
| UL File Number Search | UL Website |
| Certificate no. (cULus) | E141197 |
| Certificate no. (cULusEX) | E223527 |

UR20-1SSI**Weidmüller Interface GmbH & Co. KG**

Klingenbergstraße 26

D-32758 Detmold

Germany

www.weidmueller.com**Technical data****Downloads**

| | |
|---|--|
| Approval/Certificate/Document of Conformity | Compass safe distance certificate Lloyds Register certificate DNV/GL certificate ABS certificate RINA certificate Bureau Veritas - Type Approval Certificate PRS (Polish Register of Shipping) NIPPON KAIJI KYOKAI Certificate DEMKO 15ATEX1525X UKCA Declaration of Conformity - EN CE Declaration of Conformity - DE |
| Engineering Data | CAD data – STEP Compatibility information – Combinability of UR20 |
| Engineering Data | WSCAD, Zuken E3.S |
| User Documentation | MAN_U-REMOTE_DE MAN_U-REMOTE_EN |
| Catalogues | Catalogues in PDF-format |

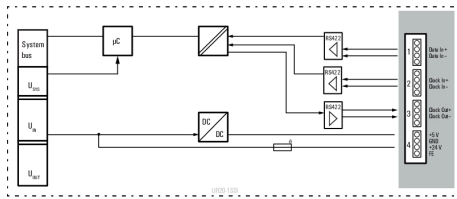
UR20-1SSI

Weidmüller Interface GmbH & Co. KG
 Klingenbergstraße 26
 D-32758 Detmold
 Germany

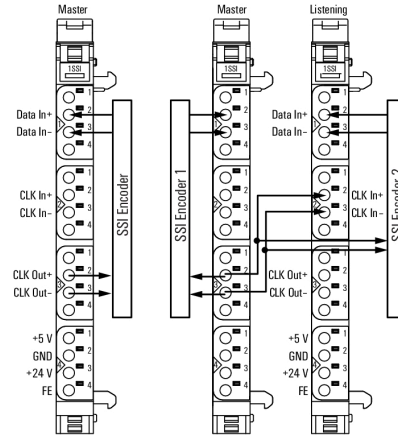
www.weidmueller.com

Drawings

Block diagram

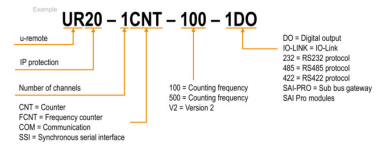


Connection diagram



Explanation of abbreviations

Digital counter- and communication- modules



UR20-1SSI

Weidmüller Interface GmbH & Co. KG
 Klingenbergstraße 26
 D-32758 Detmold
 Germany

www.weidmueller.com

Accessories

Accessories

**Potential-distribution modules; system accessory**

A wide range of accessory modules is available for individual requirements of machine and plant engineering. Various potential distribution modules are available for the supply of sensors with 2- to 4-wire connection technology directly from the remote I/O system. These offer 16 "PUSH IN" potential points and supply your application with any auxiliary potential available. An empty module, where the system bus and voltage supply are looped through, allows you to plan expansion slots in a system and to start these up without any interruptions if required.

General ordering data

| | | |
|------------|----------------------------|----------------|
| Type | UR20-SM-ACC | Version |
| Order No. | 1339920000 | Cover, , |
| GTIN (EAN) | 4050118144727 | |
| Qty. | 20 pc(s). | |
| Type | UR20-EBK-ACC | Version |
| Order No. | 1346610000 | End bracket, , |
| GTIN (EAN) | 4050118151596 | |
| Qty. | 5 pc(s). | |

Stainless steel

Stainless steel is a collective term for all types of steel (alloys) with a high degree of purity and corrosion resistance.

General ordering data

| | | |
|------------|----------------------------|--|
| Type | TS 35X7.5 2M/CRN | Version |
| Order No. | 1747350000 | Rail, TS 35, TS 35 x 7.5, without slot, Stainless steel, rust-proof, |
| GTIN (EAN) | 4032248003372 | Stainless steel 1.4301, untreated |
| Qty. | 2 m | |

UR20-1SSI

Weidmüller Interface GmbH & Co. KG
 Klingenbergstraße 26
 D-32758 Detmold
 Germany

www.weidmueller.com

Accessories

Blank



General ordering data

| Type | PM 2.7/2.6 MC NE WS | Version |
|------------|----------------------------|---|
| Order No. | 1323710000 | OMNIMATE Signal - series PM, Pusher markers, 2.7 x 2.6 mm, Pitch in |
| GTIN (EAN) | 4050118126778 | mm (P): 3.50 Weidmueller, white |
| Qty. | 960 pc(s). | |

Custom printing



The Dekafix (DEK) marker is the universal marker for all conductor and plug-in connectors as well as for electronic sub-assemblies. The system is ideal for short number sequences and covers a wide range of ready-printed markers.

Strips for fast installation in only one work step. The printing is easy to read, rich in contrast and available in various widths.

- Large range of ready-to-use markers
- Strips for fast installation
- Terminal markers, suitable for all Weidmüller cable connectors
- Available as blank MultiCard or with standard printing

For custom printing: Please send us a file of our labeling software M-Print PRO or M-Print PRO Online (without installation) for your labeling specifications.

General ordering data

| Type | DEK 5/8-11.5 MC SDR | Version |
|------------|----------------------------|---|
| Order No. | 1341610000 | Dekafix, Terminal marker, 5 x 8 mm, Pitch in mm (P): 8.00 |
| GTIN (EAN) | 4050118146059 | Weidmueller, To customer specification |
| Qty. | 100 pc(s). | |

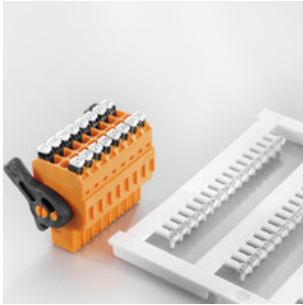
UR20-1SSI

Weidmüller Interface GmbH & Co. KG
 Klingenbergstraße 26
 D-32758 Detmold
 Germany

www.weidmueller.com

Accessories

Custom printing



General ordering data

| | | | |
|------------|----------------------------|---------|---|
| Type | PM 2.7/2.6 MC SDR | Version | OMNIMATE Signal - series PM, Pusher markers, 2.7 x 2.6 mm, Pitch in |
| Order No. | 1323700000 | | mm (P): 3.50 Weidmueller, To customer specification |
| GTIN (EAN) | 4050118126761 | | |
| Qty. | 192 pc(s). | | |

Aluminum



Aluminum has the second best electrical conductivity after copper. One advantage is low weight, anMiscellaneous is outstanding corrosion protection.

General ordering data

| | | | |
|------------|----------------------------|---------|--|
| Type | TS 35X7.5 2M/AL/BK | Version | Rail, TS 35, TS 35 x 7.5, without slot, Aluminium, untreated |
| Order No. | 0330800000 | | |
| GTIN (EAN) | 4008190100650 | | |
| Qty. | 2 m | | |

UR20-1SSI

Weidmüller Interface GmbH & Co. KG
 Klingenbergstraße 26
 D-32758 Detmold
 Germany

www.weidmueller.com

Accessories

Steel



Steel DIN rails are the most widespread on the market. Among metal DIN rails, they have the lowest shortcircuit protection, similar to stainless steel.

General ordering data

| | | |
|------------|---------------------------|--|
| Type | TS 35X7.5/LL 2M/ST/ZN | Version |
| Order No. | 051450000 | Rail, TS 35, TS 35 x 7.5, with slot, Steel, galvanic zinc plated and passivated |
| GTIN (EAN) | 4008190046019 | |
| Qty. | 2 m | |
| Type | TS 35X7.5/LL 1M/ST/ZN | Version |
| Order No. | 051451000 | Rail, TS 35, TS 35 x 7.5, with slot, Steel, galvanic zinc plated and passivated |
| GTIN (EAN) | 4008190116620 | |
| Qty. | 1 m | |
| Type | TS 35X7.5/LL 2M/ST/SZ | Version |
| Order No. | 791506000 | Rail, TS 35, TS 35 x 7.5, with slot, Steel, galvanic zinc plated and passivated |
| GTIN (EAN) | 4032248296279 | |
| Qty. | 2 m | |
| Type | TS 35X7.5 2M/ST/ZN | Version |
| Order No. | 038340000 | Rail, TS 35, TS 35 x 7.5, without slot, Steel, galvanic zinc plated and passivated |
| GTIN (EAN) | 4008190088026 | |
| Qty. | 2 m | |

UR20-1SSI

Weidmüller Interface GmbH & Co. KG
 Klingenbergstraße 26
 D-32758 Detmold
 Germany

www.weidmueller.com

Accessories

Blank



The Dekafix (DEK) marker is the universal marker for all conductor and plug-in connectors as well as for electronic sub-assemblies. The system is ideal for short number sequences and covers a wide range of ready-printed markers.

Strips for fast installation in only one work step. The printing is easy to read, rich in contrast and available in various widths.

- Large range of ready-to-use markers
- Strips for fast installation
- Terminal markers, suitable for all Weidmüller cable connectors
- Available as blank MultiCard or with standard printing

For custom printing: Please send us a file of our labeling software M-Print PRO or M-Print PRO Online (without installation) for your labeling specifications.

General ordering data

| | | | |
|------------|----------------------------|---------|---|
| Type | DEK 5/8-11.5 MC NE WS | Version | |
| Order No. | 1341630000 | | Dekafix, Terminal marker, 5 x 8 mm, Pitch in mm (P): 8.00 |
| GTIN (EAN) | 4050118145946 | | Weidmueller, white |
| Qty. | 500 pc(s). | | |

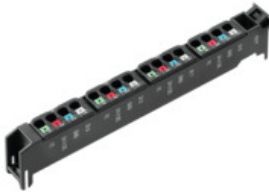
UR20-1SSI

Weidmüller Interface GmbH & Co. KG
Klingenbergstraße 26
D-32758 Detmold
Germany

www.weidmueller.com

Replacement parts**Electronic modules****General ordering data**

| | | |
|------------|----------------------------|------------------|
| Type | UR20-EM-1508090000-SP | Version |
| Order No. | 1515490000 | Replacement part |
| GTIN (EAN) | 4050118322880 | |
| Qty. | 1 pc(s). | |

Plugkit**General ordering data**

| | | |
|------------|----------------------------|------------------|
| Type | UR20-PK-1508090000-SP | Version |
| Order No. | 1559870000 | Replacement part |
| GTIN (EAN) | 4050118364583 | |
| Qty. | 5 pc(s). | |

Data sheet

UR20-1SSI

Weidmüller Interface GmbH & Co. KG
 Klingenbergstraße 26
 D-32758 Detmold
 Germany

www.weidmueller.com

Replacement parts

Basic modules



General ordering data

| Type | UR20-BM-SP | Version | Packaging |
|------------|----------------------------|---|-----------|
| Order No. | 1350930000 | Replacement part , Flange-mounted housing | Cardboard |
| GTIN (EAN) | 4050118402735 | | box |
| Qty. | 5 pc(s). | | |