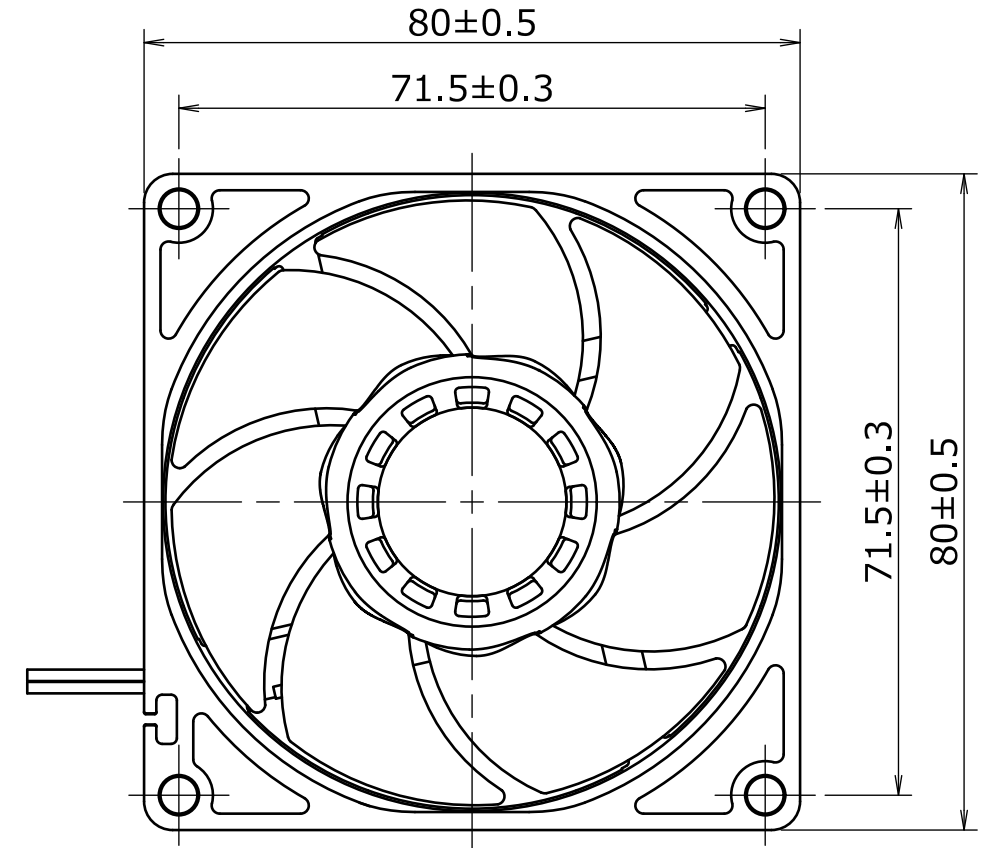
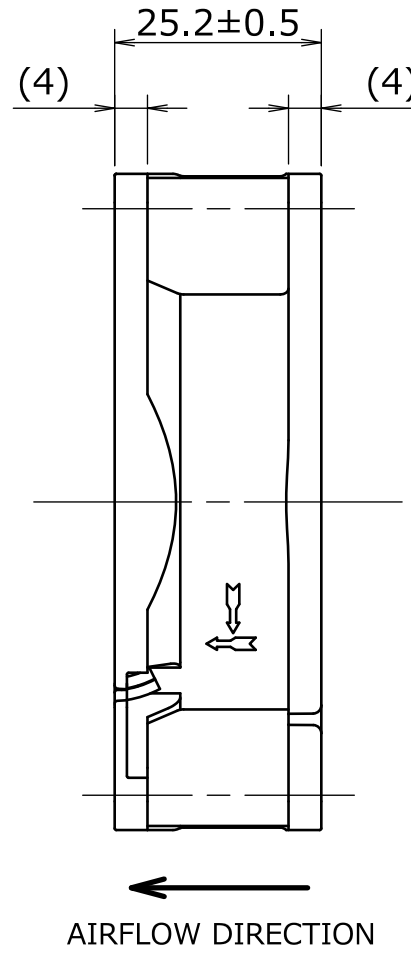
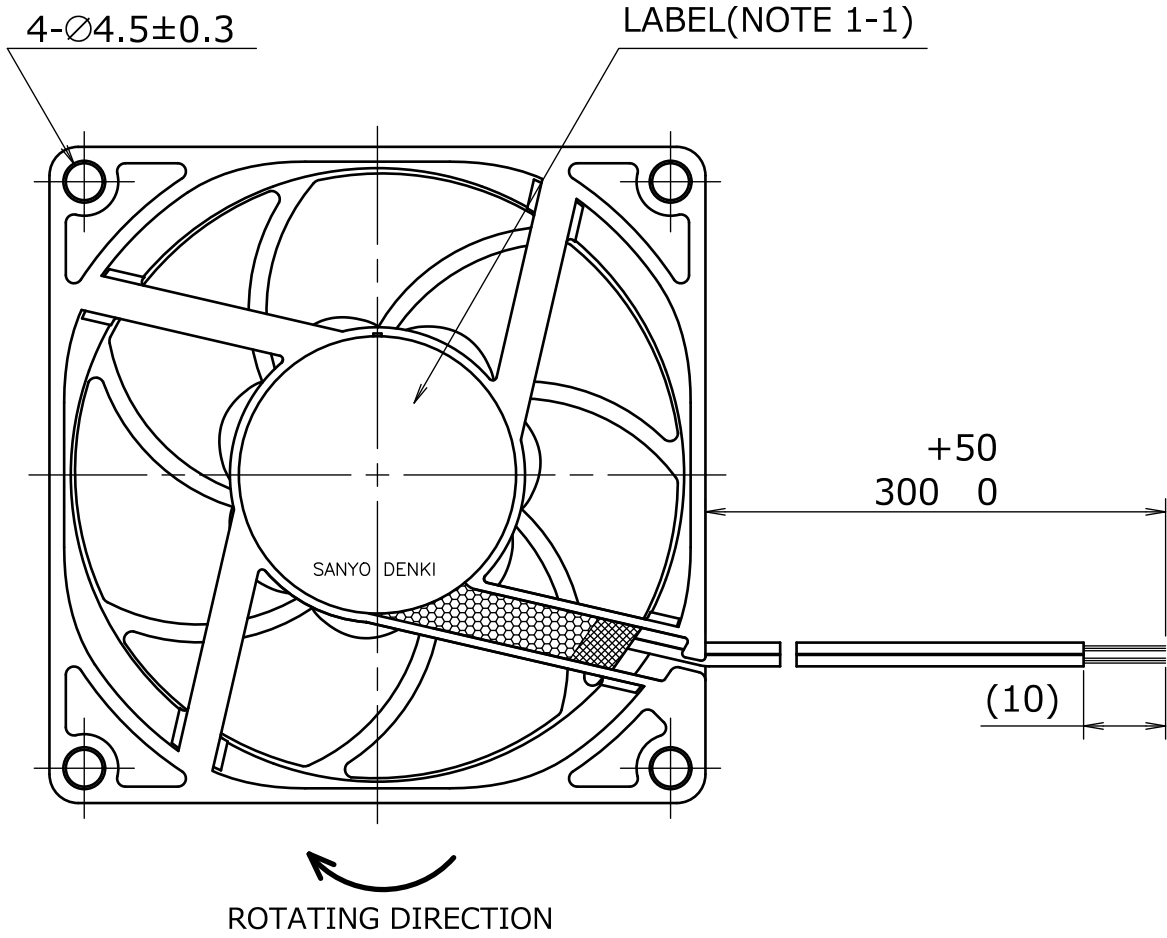


# 1. DIMENSIONS AND PARTS LIST

<DIMENSIONS>



NOTE 1-1. THE PRODUCT NAME, MODEL NO., MANUFACTURER, MANUFACTURE DATE, ETC. ARE PRINTED ON LABEL.  
銘板上に品名、型名、製造会社及び製造年月日等を表示する。

1-2. THE ELECTRICAL LIVE PARTS OF THIS FAN ARE COATED WITH RESIN.  
本ファンモータは、活電部に樹脂コーティングを施している。

<LEAD WIRE CONNECTION TABLE>

FAN		
SIGNAL	LEAD WIRE	COLOR
+	UL1430 AWG26	RED
GND	UL1430 AWG26	BLACK

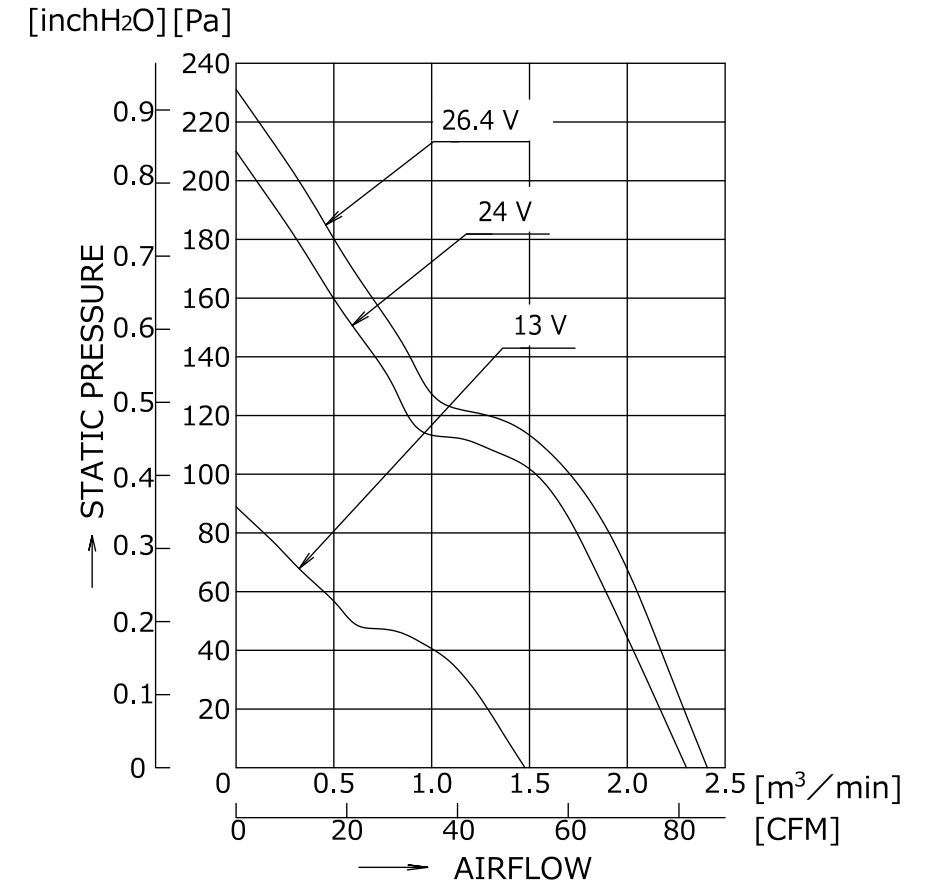
	ECN No.	名称 Title	
	E0204670	San Ace 80W (9WPA) RIBBED	
単位 Unit	新規 New Design		
mm	T.KAISE 20-10-27		
尺度 Scale	図面番号 Dwg. No.	Rev.	
-		9WPA0824G4202 B	
<b>SANYO DENKI</b>		承認 Approved By	設計 Designed By
		T.IKEDA 20-11-13	T.KAISE 20-11-12
承認 Approved By	審査 Checked By	設計 Designed By	
T.IKEDA 20-11-13	M.TAKAKUWA 20-11-12	T.KAISE 20-11-12	
Group	User	Page	
D12K	E0	1/2	

## 2. DESCRIPTION AND AIRFLOW-STATIC PRESSURE CHARACTERISTICS EXAMPLE

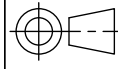


### <DESCRIPTION>

ITEM	UNIT	DESCRIPTION
RATED VOLTAGE	V DC	24
OPERATING VOLTAGE RANGE	V DC	13 ~ 26.4
MAX. AIRFLOW	m <sup>3</sup> /min	2.32
(NOTE 2-2)	(CFM)	(81.9)
MAX. STATIC PRESSURE	Pa	210
(NOTE 2-2)	(inchH <sub>2</sub> O)	(0.84)
RATED CURRENT	A	0.36
(NOTE 2-2)		
RATED SPEED	min <sup>-1</sup>	8250±825
INSULATION RESISTANCE	-	10 MΩ MIN. AT 500 V DC
(NOTE 2-3)		
DIELECTRIC STRENGTH	-	1 MINUTE AT 500 V AC, 50/60 Hz
(NOTE 2-3)		
OPERATING TEMPERATURE	°C	-40 ~ +70
STORAGE TEMPERATURE	°C	-40 ~ +70
EXPECTED LIFE	-	40,000 h / 60 °C (L10, CONTINUOUS OPERATION)
SOUND PRESSURE LEVEL	dB(A)	54
(NOTE 2-2, 2-4)		
MASS	g	APPROX. 130
MATERIAL	-	FRAME, IMPELLER : PLASTICS
BEARING SYSTEM	-	2 BALL BEARINGS
IP CODE	-	IP68(IEC 60529:2001)

### <AIRFLOW-STATIC PRESSURE CHARACTERISTICS EXAMPLE>



- NOTE 2-1. VALUES FOR EACH CHARACTERISTIC ARE AT ROOM TEMPERATURE AND NORMAL HUMIDITY.  
諸特性は常温、常湿での値。
- 2-2. ALL VALUES ARE TYPICAL UNLESS OTHERWISE SPECIFIED.  
指定なき値は標準値。
- 2-3. INSULATION RESISTANCE AND DIELECTRIC STRENGTH ARE MEASURED BETWEEN LEAD WIRE CONDUCTORS AND FRAME.  
絶縁抵抗および絶縁耐圧はリード線導体部とフレームとの間を測定する。
- 2-4. SOUND PRESSURE LEVEL (SPL) IS MEASURED AT 1 m FROM THE AIR INLET.  
音圧レベルはファン吸込側より1mにて測定する。
- 2-5. WITHIN THE OPERATING VOLTAGE RANGE, THE MOTOR IS PROTECTED FROM BURNOUT DUE TO LOCKED ROTOR.  
使用電圧範囲にてファン拘束時焼損の恐れはない。

	ECN No. E0204670	名称 Title San Ace 80W (9WPA) RIBBED
	単位 Unit mm	新規 New Design T.KAISE 20-10-27
尺度 Scale -	図面番号 Dwg. No. -	Rev. B
		
承認 Approved By T.IKEDA 20-11-13	審査 Checked By M.TAKAKUWA 20-11-12	設計 Designed By T.KAISE 20-11-12
Group D12K	User E0	Page 2/2

A 3 G - # 5