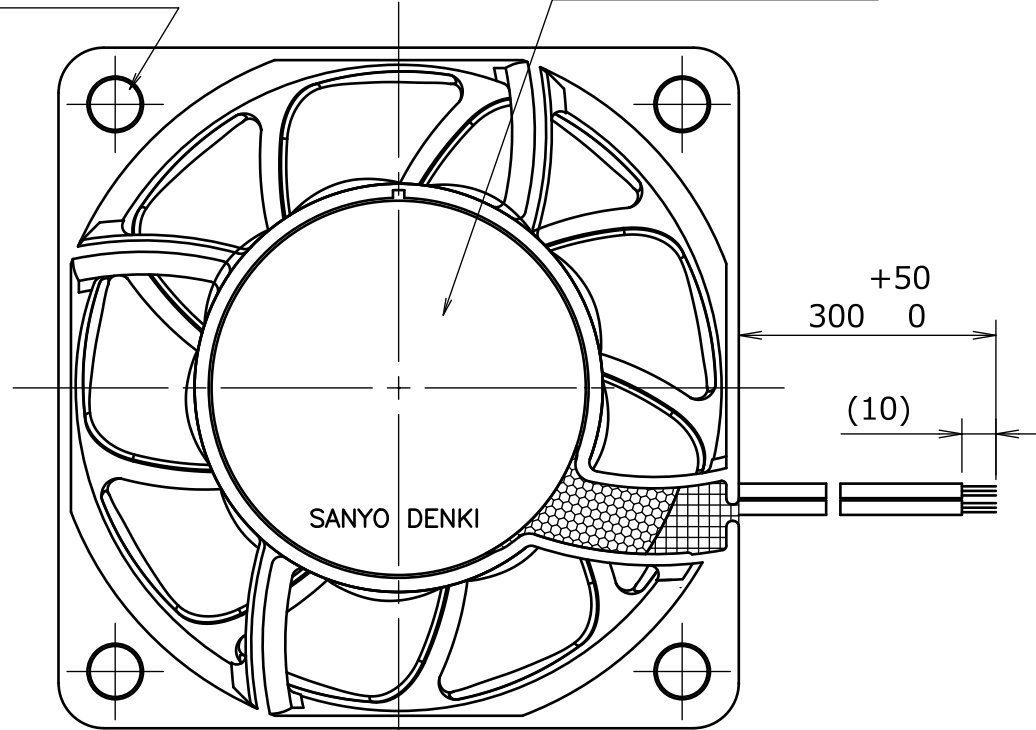


1. DIMENSIONS AND PARTS LIST

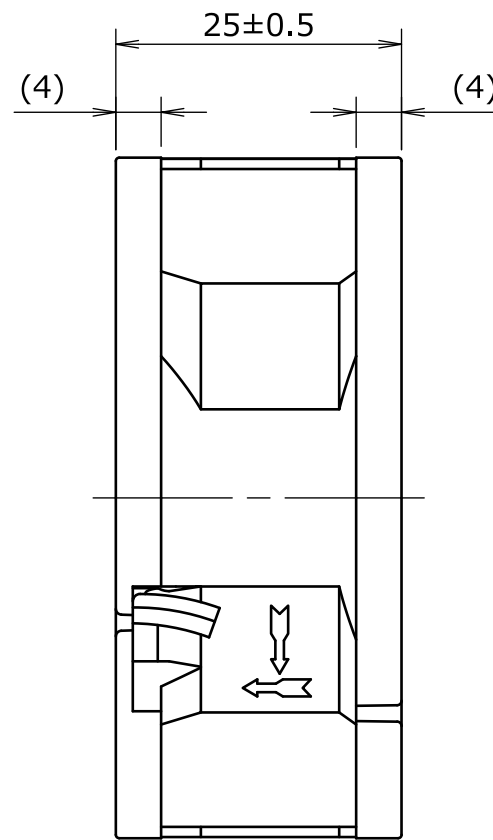
<DIMENSIONS>

4- $\varnothing 4.5 \pm 0.3$

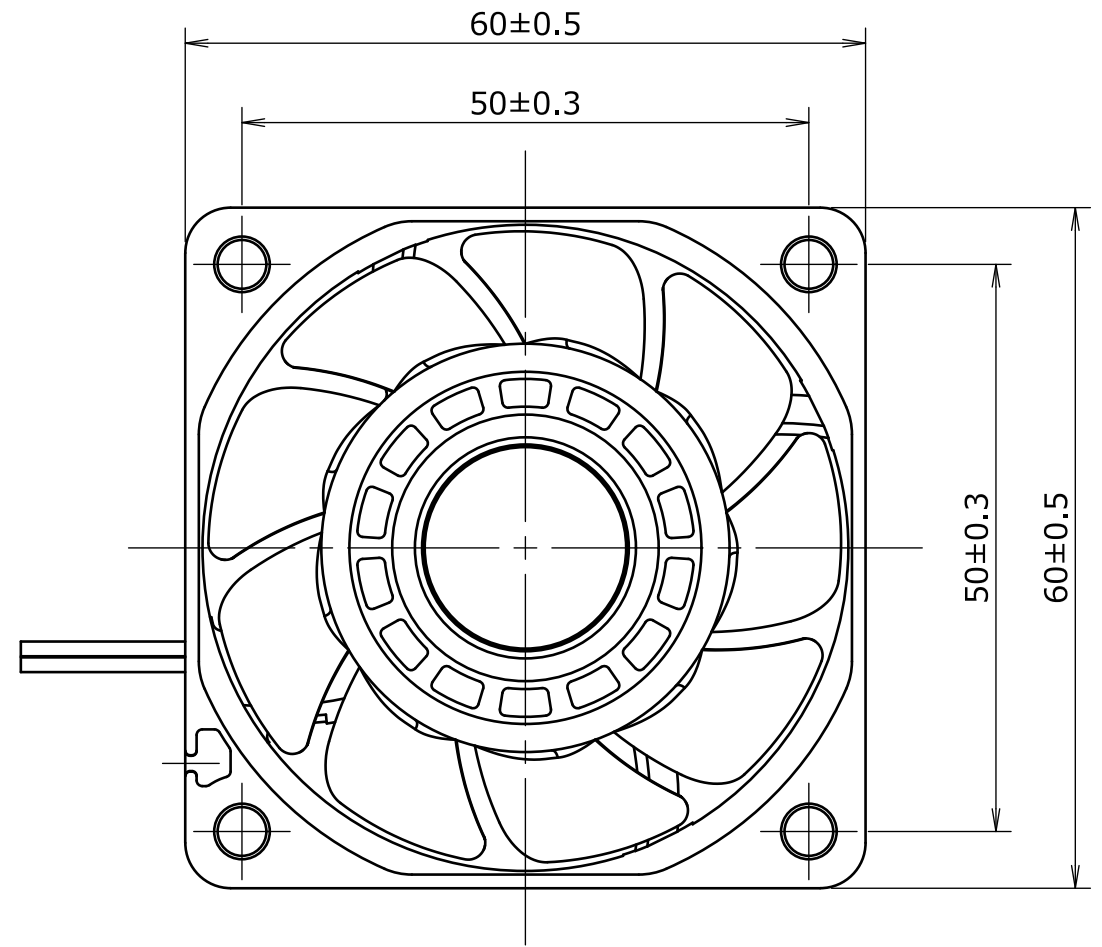
LABEL(NOTE 1-1)



ROTATING DIRECTION



AIRFLOW DIRECTION



NOTE 1-1. THE PRODUCT NAME, MODEL NO., MANUFACTURER, MANUFACTURE DATE, ETC. ARE PRINTED ON LABEL.
品名, 型名, 製造会社名 及び 製造年月日等を表示する。

<LABEL>

SHOWS LOT No.

はロットNo.を示す。



OR



<LEAD WIRE CONNECTION TABLE>

FAN		
	LEAD WIRE	COLOR
+	UL1430 AWG26	RED
GND	UL1430 AWG26	BLACK

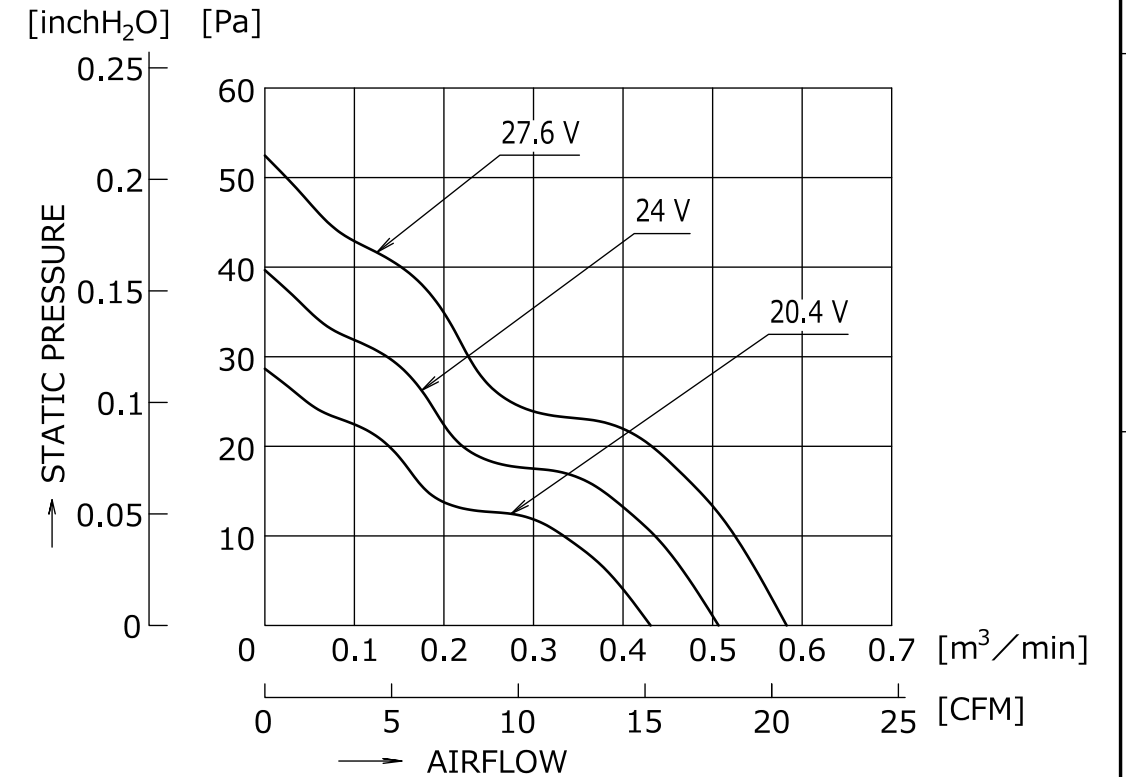
	ECN No.	名称 Title	San Ace 60W (9WPA)	
単位 Unit	新規 New Design	TOS.NISHIZAWA	RIBBED	
mm	22-12-08			
尺度 Scale	図面番号 Dwg. No.	9WPA0624M4002		Rev. A
-				
SANYO DENKI			承認 Approved By	設計 Designed By
			H.KURIBAYASHI	TOS.NISHIZAWA
			22-12-22	22-12-08
Group	D12	審査 Checked By	M.TAKAKUWA	Page
			22-12-22	1/2
		User	E0	

2. GENERAL SPECIFICATIONS

<CHARACTERISTICS>

ITEM	UNIT	CHARACTERISTICS
RATED VOLTAGE	V DC	24
OPERATING VOLTAGE RANGE	V DC	20.4 ~ 27.6
MAX. AIRFLOW	m ³ /min (CFM)	0.51 (18.0)
MAX. STATIC PRESSURE	Pa (inchH ₂ O)	39.7 (0.16)
RATED CURRENT	A	0.06
RATED SPEED	min ⁻¹	4000±400
INSULATION RESISTANCE (NOTE 2-2)	-	10 MΩ MIN. AT 500 V DC
DIELECTRIC STRENGTH (NOTE 2-2)	-	1 MINUTE AT 500 V AC, 50/60 Hz
OPERATING TEMPERATURE	°C	-20 ~ +70
STORAGE TEMPERATURE	°C	-30 ~ +70
EXPECTED LIFE	-	40,000 h / 60 °C (L10, CONTINUOUS OPERATION)
SOUND PRESSURE LEVEL (NOTE 2-3)	dB(A)	26
MASS	g	APPROX. 110
MATERIAL	-	FRAME, IMPELLER : PLASTICS
BEARING SYSTEM	-	2 BALL BEARINGS
IP CODE	-	IP68 (IEC 60529)

<REFERENCE AIRFLOW-STATIC PRESSURE CHARACTERISTICS>



- NOTE 2-1. ALL THE VALUES IN THE TABLE ARE TYPICAL VALUES MEASURED AFTER 30 MINUTES OF OPERATION AT ROOM TEMPERATURE AND NORMAL HUMIDITY.
表中の値はいずれも、常温、常湿、30分間動作後の標準値。
- 2-2. MEASURED BETWEEN LEAD WIRE CONDUCTORS AND FRAME.
リード線導体部とフレームとの間。
- 2-3. AT 1 m AWAY FROM THE AIR INLET.
ファン吸込側1 mにおける値。
- 2-4. WITHIN THE OPERATING VOLTAGE RANGE, THE MOTOR IS PROTECTED FROM BURNOUT DUE TO LOCKED ROTOR. DO NOT LOCK ROTOR OUTSIDE OF OPERATING VOLTAGE.
使用電圧範囲にてファン拘束時焼損の恐れはない。
使用電圧範囲外でファンを拘束しないこと。
- 2-5. THE ELECTRICAL LIVE PARTS OF THIS FAN ARE COATED WITH RESIN.
本ファンモータは、活電部に樹脂コーティングを施している。

	ECN No.	名称 Title	San Ace 60W (9WPA)	
単位 Unit	新規 New Design	TOS.NISHIZAWA	RIBBED	
mm	22-12-08			
尺度 Scale	図面番号 Dwg. No.	9WPA0624M4002		Rev. A
-		承認 Approved By	審査 Checked By	設計 Designed By
		H.KURIBAYASHI	M.TAKAKUWA	TOS.NISHIZAWA
		22-12-22	22-12-22	22-12-08
SANYO DENKI				
Group	D12	User	E0	Page 2/2