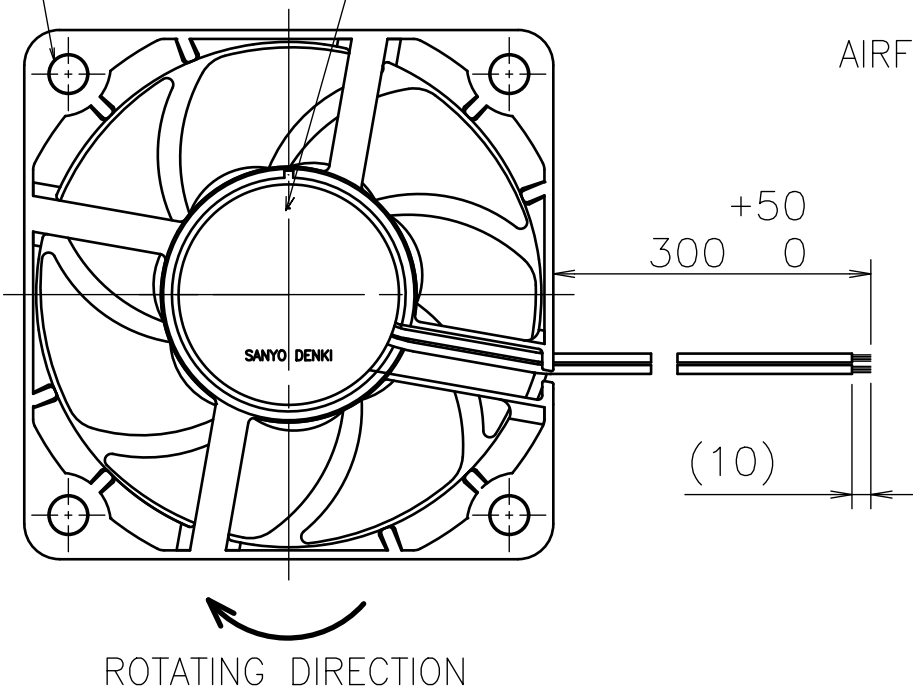


1. DIMENSIONS AND PARTS LIST

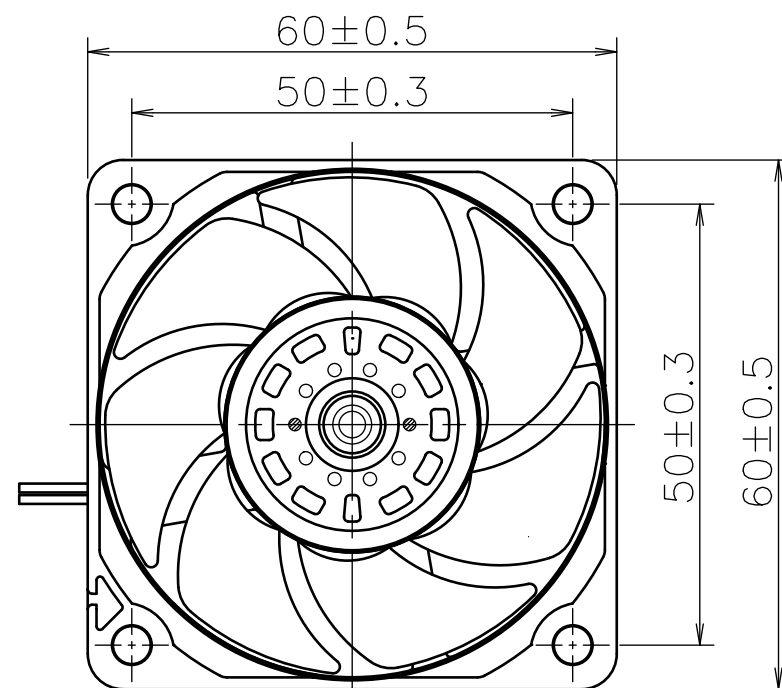
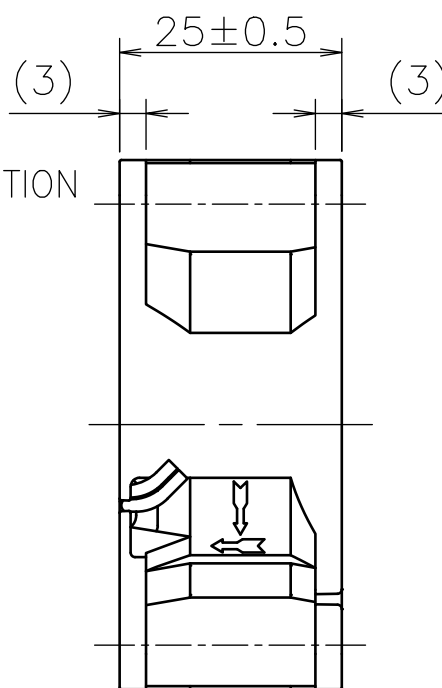
<DIMENSIONS>

4- $\phi 4.3 \pm 0.3$

LABEL (NOTE 1-1)



AIRFLOW DIRECTION



NOTE

1-1. THE PRODUCT NAME, MODEL NO., MANUFACTURER, MANUFACTURE DATE, ETC. ARE PRINTED ON LABEL.
銘板上に品名, 型名, 製造会社名 及び 製造年月日等を表示する。

<LABEL> SHOWS LOT No. はロットNo.を示す。

<LEAD WIRE CONNECTION TABLE>

| FAN | | |
|-----|--------------|-------|
| | LEAD WIRE | COLOR |
| + | UL1007 AWG24 | RED |
| GND | UL1007 AWG24 | BLACK |



OR



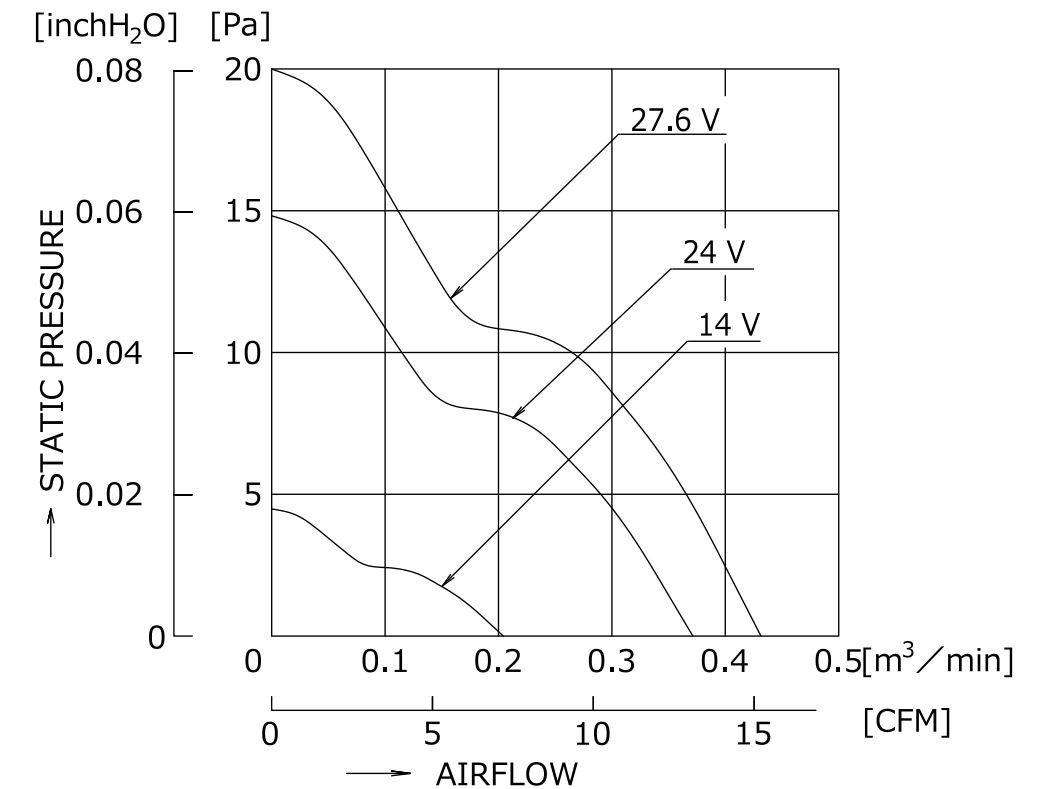
| | | |
|--------------------|---------------------|-------------------------|
| | ECN No. | 名称 Title |
| | | San Ace 60 (9RA) |
| 単位 Unit | 新規 New Design | RIBBED |
| mm | N.INADA 22-10-14 | |
| 尺度 Scale | 図面番号 Dwg. No. | Rev. |
| - | | 9RA0624M4002 A |
| SANYO DENKI | | 承認 Approved By |
| | | H.KURIBAYASHI |
| 22-10-18 | | 審査 Checked By |
| Group D12 | | K.ISHIHARA |
| User E0 | | 設計 Designed By |
| Page 1/2 | | N.INADA |
| | | 22-10-14 |

2. GENERAL SPECIFICATIONS

<CHARACTERISTICS>

| ITEM | UNIT | CHARACTERISTICS |
|-------------------------------------|------------------------------|--|
| RATED VOLTAGE | V DC | 24 |
| OPERATING VOLTAGE RANGE | V DC | 14 ~ 27.6 |
| MAX. AIRFLOW | m ³ /min (CFM) | 0.37 (13) |
| MAX. STATIC PRESSURE | Pa (inchH ₂ O) | 14.8 (0.06) |
| RATED CURRENT | A | 0.03 |
| RATED SPEED | min ⁻¹ | 2600±260 |
| INSULATION RESISTANCE (NOTE 2-2) | - | 10M Ω MIN. AT 500 V DC |
| DIELECTRIC STRENGTH (NOTE 2-2) | - | 1 MINUTE AT 500 V AC, 50/60 Hz |
| OPERATING TEMPERATURE | °C | -20 ~ +70 |
| STORAGE TEMPERATURE | °C | -30 ~ +70 |
| EXPECTED LIFE | - | 60,000 h / 60 °C (L10, CONTINUOUS OPERATION) |
| SOUND PRESSURE LEVEL (NOTE 2-3) | dB(A) | 17 |
| MASS | g | APPROX. 70 |
| MATERIAL | - | FRAME, IMPELLER : PLASTICS |
| BEARING SYSTEM | - | 2 BALL BEARINGS |

<REFERENCE AIRFLOW-STATIC PRESSURE CHARACTERISTICS>

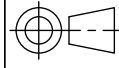


- 2-4. WITHIN THE OPERATING VOLTAGE RANGE, THE MOTOR IS PROTECTED FROM BURNOUT DUE TO LOCKED ROTOR. DO NOT LOCK ROTOR OUTSIDE OF OPERATING VOLTAGE.
 使用電圧範囲にてファン拘束時焼損の恐れはない。
 使用電圧範囲外でファンを拘束しないこと。
- 2-5. FAN MIGHT NOT START UP NORMALLY IF THE IMPELLER IS ROTATING WHEN THE POWER IS TURNED ON.
 電源投入時、羽根が空転していると正常に起動できない場合がある。

NOTE 2-1. ALL THE VALUES IN THE TABLE ARE TYPICAL VALUES MEASURED AFTER 30 MINUTES OF OPERATION AT ROOM TEMPERATURE AND NORMAL HUMIDITY.
 表中の値はいずれも、常温、常湿、30分間動作後の標準値。

2-2. MEASURED BETWEEN LEAD WIRE CONDUCTORS AND FRAME.
 リード線導体部とフレームとの間。

2-3. AT 1 m AWAY FROM THE AIR INLET.
 ファン吸込側1 mにおける値。

| | | | | |
|---|----------------------|---|--|---------------------------------------|
|  | ECN No. | 名称 Title | | |
| | 単位 Unit mm | 新規 New Design N.INADA 22-10-14 | San Ace 60 (9RA) RIBBED | |
| 尺度 Scale - | 図面番号 Dwg. No. | 9RA0624M4002 | | Rev. A |
| SANYO DENKI | | 承認 Approved By H.KURIBAYASHI 22-10-18 | 審査 Checked By K.ISHIHARA 22-10-18 | 設計 Designed By N.INADA 22-10-14 |
| Group D12 | | User E0 | | Page 2/2 |