

# SYSTEM 19/8

2' x 2' CLASS

UL LISTED, 2-Way, Full Range,  
6-1/2" Woofer - 1" Dome Tweeter, 8 Ohm Impedance



## GENERAL DESCRIPTION

The **SYSTEM 19/8** is a complete, UL Listed, 2-way, shallow depth, lightweight, 2' x 2' ceiling tile replacement loudspeaker system consisting of a 6-1/2" O.D. woofer, 1" dome tweeter, and an 8 Ohm impedance. Molded fiber enclosure is 1,412 CID. Powder coated steel baffle with standard perforation and four (4) seismic tie-off points. The cable clamp is included. No assembly required.



## INTENDED USE - Indoor Environment

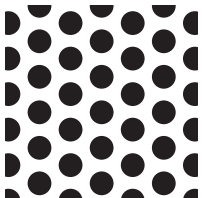
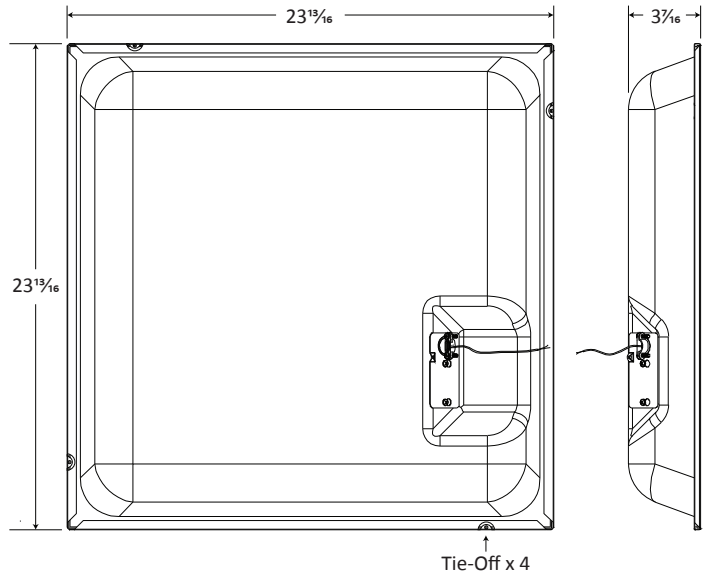
<b>Program Material</b>	Signal tones, voice, and music
<b>UL LISTED 1480</b>	As a General Signaling Device - When installed with supplied installation instructions and requirements of NEC /AHJ. (UEAY, UEAY7- Canada)
<b>UL LISTED 2043</b>	Suitable for use in air-handling spaces
<b>City of Chicago Approved</b>	Material and construction permits use where ceiling plenum is part of the air handling system.
<b>Installation</b>	Mounted parallel to floor plane in a 24" wide suspended ceiling tile grid.

## AUDIO SPECIFICATIONS

<b>Average Sensitivity</b>	95 dB SPL, 1W/1M
<b>Loudspeaker Power Rating</b>	30W RMS EIA 426A Standard
<b>Calculated Output</b>	108 dB-SPL 30W/1M
<b>Magnet Type &amp; Weight</b>	BeFe Ceramic, 10 oz. Nominal
<b>Frequency Response</b>	40 Hz - 20 kHz EIA 426A Standard
<b>Nominal Coverage Angle</b>	100° Included Angle -6 dB / 2 kHz, Half space
<b>Audio Connection</b>	12" Lead
<b>Unit Weight</b>	8.05 Lbs

## SYSTEM COMPONENTS

<b>Loudspeakers</b>	6-1/2" O.D Woofer, 1" Dome Tweeter
---------------------	------------------------------------



Standard Perforation Pattern  
Shown as 1" Square Sample

Recommended construction sequences, installation instructions, and A&E Specifications are available in various formats in the Specs and Diagrams section at: [www.QuamSpeakers.com](http://www.QuamSpeakers.com)

©2017 Quam-Nichols Company reserves the right to make changes and/or improvements to its products at any time and without notice.



QUAM-NICHOLS COMPANY, INC.  
234 East Marquette Road, Chicago, IL. 60637  
t: 1-800-NEED-NOW (800-633-3669)  
f: 1-888-NEED-NOW (888-633-3669)  
e: [NeedNow@QNC.com](mailto:NeedNow@QNC.com)  
[www.QuamSpeakers.com](http://www.QuamSpeakers.com)