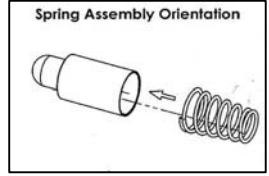
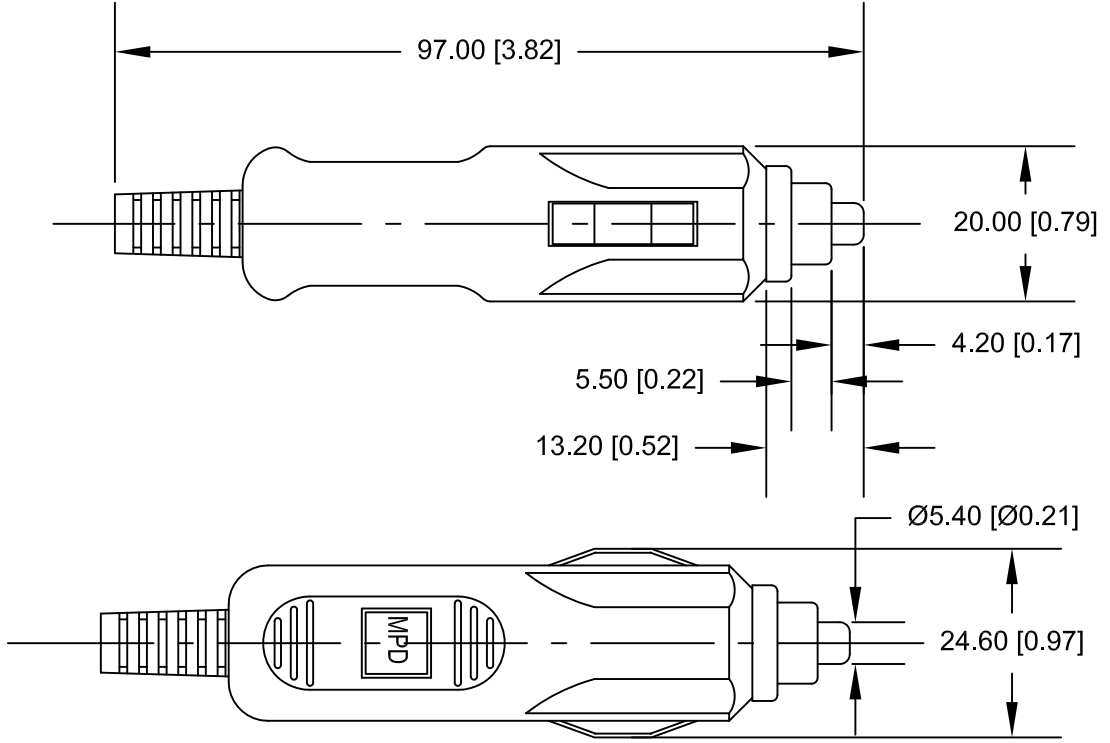
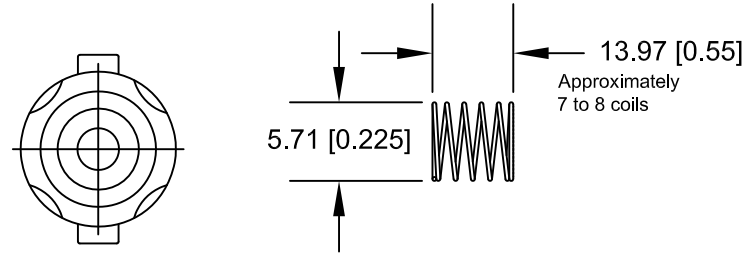



Date	SYM	REVISION RECORD	AUTH	DR.	CK.
03/09/12	B	Updated material	T.B.	B.S.	
04/27/12	C	Updated Fuse note	T.B.	B.S.	
09/07/12	D	Added spring orientation view	T.B.	B.S.	
09/14/12	E	Updated spring Dimention	T.B.	B.S.	



SPRING ORIENTATION VIEW



SPECIFICATION:
 BODY: NYLON 66, FLAMMABILITY RATING UL94V-0
 COLOR: BLACK
 CENTER CONTACT: BRASS, NICKEL PLATED
 POSITIVE TERMINAL: PHOS. BRONZE, NICKEL PLATED
 NEGATIVE TERMINAL: SK5, NICKEL PLATED
 SPRING: 0.025" DIA. COPPER PHOSPHOR SPRING WIRE, FULLY COMPRESSED, THE SPRING LENGTH SHALL BE 0.180" TO 0.210"
 WIRE STRAIN RELIEF: PVC
FUSE: BUSSMAN #AGC-10 OR LITTLE FUSE #0312010 OR EQUIV. UL LISTED 3AG FUSE
 RATED AT 18 HOURS, CONTINUOUS DUTY
 12AMP'S MAX WITH CORRECT FUSE
 ROHS COMPIANT

Tolerance (Inches)	 Memory Protection Devices, Inc 200 Broad Hollow Road, Farmingdale, New York 11735		
Decimal		Scale	Drawn By B.S.
±.5 (.020)		Approved By T.B.	
Fractional	Title		
±.8 (.030)	10 AMP CIGARETTE PLUG FOR 21 OR 22.2mm DIA. SOCKETS		
Angular	Date	Drawing Number	
± 3°	09/14/12	BK-6139	