

Tous droits strictement réservés. Reproduction ou communication a des tiers interdite sous quelque forme que ce soit sans autorisation écrite du propriétaire. Property of FCI. Droits de reproduction FCI.

FCI

ALL rights strictly reserved. Reproduction or issue to third parties in any form whatever is not permitted without written authority from the proprietor. Property of FCI. Copyright FCI.

REFERENCE SPECIFICATIONS

-NFC 93425 (in compliance with HE 507)

PHYSICAL CHARACTERISTICS

- INSULATOR MATERIAL: THERMOPLASTIC / STANDARD MATERIAL
- CONTACT MATERIAL: PHOSPHOR BRONZE (FEMALE SIGNAL CONTACT)
BRASS (PIN SIGNAL CONTACT)
BRASS (POWERS CONTACT)
- ACCESSORIES: BRASS TIN LEAD OVER NICKEL
- SHELLS: STEEL BRIGHT TIN LEAD

ELECTRICAL CHARACTERISTICS

- NOMINAL CURRENT: 7.5A (STANDARD CONDITIONS)
- CONTACT RESISTANCE: <7.3mΩ
- CONTACT/CONTACT : >=1000 V
- CONTACT/GROUND : >=1200 V
- INSULATION RESISTANCE: >=5000 MΩ

ENVIRONMENTAL CHARACTERISTICS

- CLIMATIC CATEGORY: 55/125/21
TEMPERATURE RANGE -55°C TO +125°C
DAMP HEAT STEADY STATE 21 DAYS
SALT SPRAY 24 HOURS

MECHANICAL CHARACTERISTICS

- RETENTION AGAINST TORQUE: - Threaded insert: 0.7 N.m minimum
- Female screw lock: 0.5 N.m minimum

CONTACT PLATING FOR TIN LEAD VERSION

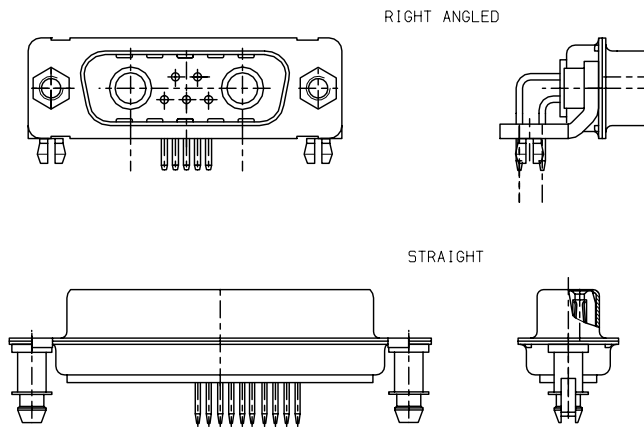
- SIGNAL CONTACT:
- GOLD OVER NICKEL ON MATING AREA
- TIN LEAD OVER NICKEL ON TERMINATION PARTS

CONTACT PLATING FOR LEAD FREE VERSION

NOTE RoHS INFORMATION

- The "LF" products meet european union Directives and other country regulations as described in 65-22-008.
- The housing will withstand exposure to 260°C peak temperature for 3.5 seconds in a wave solder application with a 1.6mm minimum thick circuit board. See application notes/procedures if they are available.
- Termination plating spec:
- Signal contacts: Ni + Gold
- Shell plating : 2 to 4µmCu + 3 to 10µm Sn (pure bright)
- Accessories: Sn pure bright
- Packaging spec: See 65-14-920

		ACCESSORIES
500 Mating/unmating - gold contact area	D*****43***	∅3.10
200 Mating/unmating - gold contact area	D*****00***	
500 Mating/unmating - gold contact area	D*****43***	PCB HOLE tin lead
200 Mating/unmating - gold contact area	D*****00***	
PROTECTION	PART NUMBER	



ltr	ecn no	dr	date
A	L505-0039	LG0	02/05/05
-	-	-	-
-	-	-	-
-	-	-	-
-	-	-	-
-	-	-	-
-	-	-	-

FCI www.fciconnect.com		ISO 1302	tolerance ISO 406 ISO 1101	projection 	mm
Dr	GOISNARD	02/05/05	Product family	D-SUB	size
Eng	PESSON	02/05/05	Spec ref	-	Scale
Chr	LEGARE	02/05/05	Material	-	ECN
Appr	LEGARE	02/05/05			L505-0039
title			SUB RA & STRAIGHT		dwg no C01-8639-0003
title			GENERAL CHARACTERISTICS		
catalog no			- CUSTOMER COPY		Rev. A
			sheet 1 of 1		

Mouser Electronics

Authorized Distributor

Click to View Pricing, Inventory, Delivery & Lifecycle Information:

[FCI / Amphenol:](#)

[DA11W1PA00LF](#) [DA11W1SA00LF](#) [DA7W2PA00LF](#) [DA7W2SA00LF](#) [DB13W3PA00LF](#) [DB13W3SA00LF](#)
[DB17W2PA00LF](#) [DB17W2SA00LF](#) [DB21W1PA00LF](#) [DB21W1SA00LF](#) [DB9W4PA00LF](#) [DB9W4SA00LF](#)
[DC21WA4PA00LF](#) [DC21WA4SA00LF](#) [DC25W3PA00LF](#) [DC25W3SA00LF](#) [DC27W2PA00LF](#) [DC27W2SA00LF](#)
[DD24W7PA00LF](#) [DD24W7SA00LF](#) [DD36W4PA00LF](#) [DD36W4SA00LF](#) [DE5W1PA00LF](#) [DE5W1SA00LF](#)
[DD47W1PA00LF](#)