


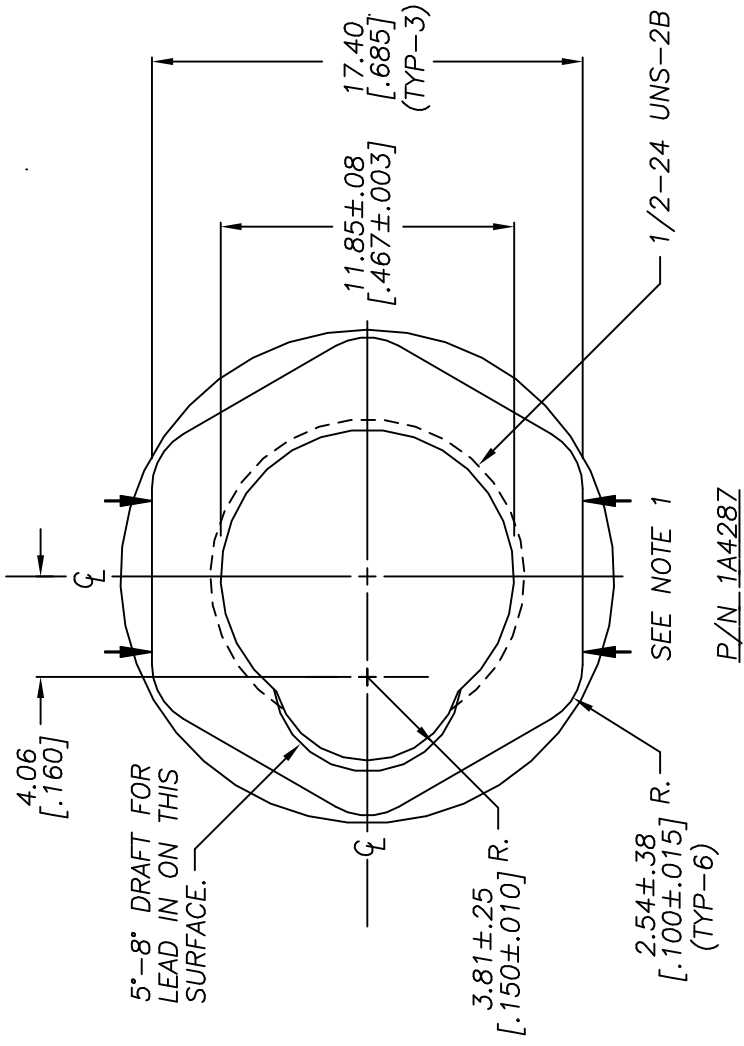


REV.	T
NO.	1A4287
DATE	10-28-09
SUPERSEDES	
BU-N09095	
PAGE 1	
USED ON FUSEHOLDERS HJM, HKM, HKP & HTB	
 St. Louis, MO 63178	
SUP. NO.	1A4287 S
DATED	6-26-07
JG	
DWG.	PLASTIC NUT
CK.	

CONFIDENTIAL - THE INFORMATION CONTAINED IN THIS DOCUMENT IS THE PROPERTY OF COOPER INDUSTRIES, INC. IT IS NOT TO BE DISCLOSED TO ANY OTHER PARTY OR TO BE REPRODUCED OR TRANSMITTED IN ANY FORM OR BY ANY MEANS, ELECTRONIC OR MECHANICAL, INCLUDING PHOTOCOPYING, RECORDING, OR BY ANY INFORMATION STORAGE AND RETRIEVAL SYSTEM, WITHOUT THE WRITTEN PERMISSION OF COOPER INDUSTRIES, INC. THIS DOCUMENT IS THE PROPERTY OF THE PURCHASER FOR WHICH IT IS DRAWN OR UPON REQUEST.	SCALE 3x	UNLESS OTHERWISE SPECIFIED TOLERANCES TO BE: METRIC $\pm .13mm$ INCHES $\pm .005"$ ANGULAR $\pm 2^\circ$	THIRD ANGLE PROJECTION 
COPYRIGHT Cooper Industries, Inc. The disclosure of this work in any form or by any means, electronic or mechanical, including photocopying, recording, or by any information storage and retrieval system, without the written permission of Cooper Industries, Inc. is prohibited. This work is protected by Patent, Copyright, Law, and all rights thereunder are reserved by Cooper Industries, Inc.	INDICATES CRITICAL DIMENSION OR FEATURE  (0)	PART FEATURES TO BE SYMMETRICAL ABOUT INDICATED CENTER LINE WITHIN $.25 \mu m$ RFS. $[.010]$	

INCHES (OR U.S. UNITS) IS THE PRIMARY UNIT OF MEASURE
 METRIC (mm) [INCHES]



P/N 1A4287

P/N 1A4287-1

SAME AS PART NUMBER 1A4287 EXCEPT IT DOES NOT CONTAIN 3.81/[.150] CUTOUT.

NOTES:

- 1) STRENGTH TEST - NUT MUST WITHSTAND A MINIMUM OF 30 LBS. OF FORCE APPLIED TO THE SURFACES INDICATED.