

Amphenol

Micro D Interconnects

Micro D Series 100 Mil-C-83513 Qualified

Materials

- Shell – Aluminum
- Insulator – Polyphenylene Sulfide
- Contacts – Copper for Signal
- Contact Finish – 50µ" Gold over Nickel
- Hardware – Passivated Stainless Steel
- Standard Epoxy – EP1730-1 Black
- High Temp Epoxy – Stycast 2651/11

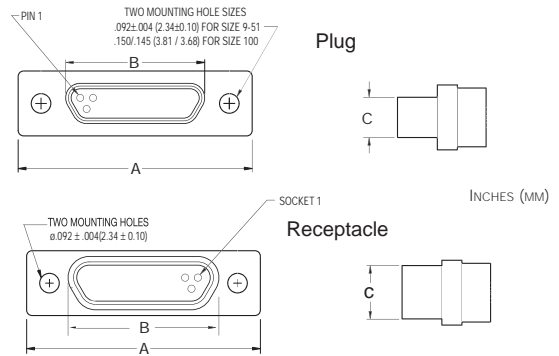
Electrical

- Current – 3A max
- Magnetic Permeability – 2.0 max
- Voltage Sea Level – up to 900Vac
- Voltage 70,000Ft – up to 300Vac
- Contact Resistance – 8mΩ @ 3A
- Insulation Resis. – 5000MΩ

Mechanical

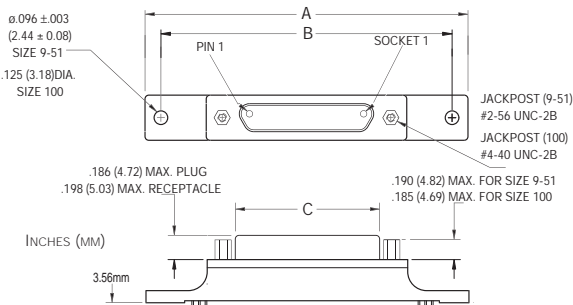
- Durability – 500 Cycles
- Salt Spray – Method 1001, Condition B 48Hrs
- Thermal Shock – Mil-Std-1344
- Physical Shock – Method 2004 Condition E
- Fluid Immersion – Mil-Dtl-83513
- Humidity – Mil-Std-1344 Mtd 1002 II
- Solderability – Mil-Std-202 Mtd 208

Type	Positions	Straight with Cable	Dimensions (mm)			
		Part Number:	A	B	C	
Cable Solutions	Male	9 way	100RC09P4A5AB	19.94	8.48	4.70
		15 way	100RC15P4A5AB	23.75	12.29	4.70
		21 way	100RC21P4A5AB	27.56	16.10	4.70
		25 way	100RC25P4A5AB	30.10	18.64	4.70
		31 way	100RC31P4A5AB	33.91	22.45	4.70
	Female	9 way	100RC09S4A5AB	19.94	10.21	6.43
		15 way	100RC15S4A5AB	23.75	13.97	6.43
		21 way	100RC21S4A5AB	27.56	17.83	6.43
		25 way	100RC25S4A5AB	30.10	20.37	6.43
		31 way	100RC31S4A5AB	33.91	24.18	6.43
	37 way	100RC37S4A5AB	37.72	27.99	6.43	
	51 way	100RC51S4A5AB	36.45	26.72	7.52	
	100 way	100RC100S4A5AB	54.86	38.10	10.01	

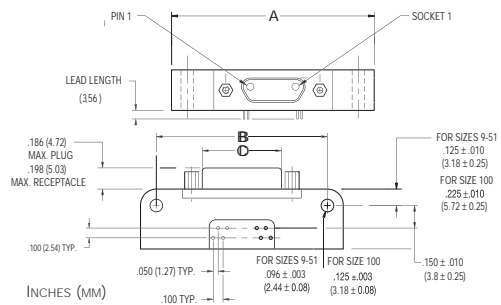


Standard Part Number Solutions Shown
 Mil-DTL-83513 Metal Shell with Polyphenylene Sulfide Insulator Cadmium Shell finish. Supplied with 45cm long 26AWG 7 Strand NEMA-HP3 Colour coded per Mil-Std-681 – Standard Mounting Holes

Type	Positions	Straight	Dimensions (mm)			Right Angle	Dimensions (mm)			Positions	Type	
		Part Number:	A	B	C	Part Number:	A	B	C			
PCB Mount	Male	9 way	100RC09PBP2	35.31	29.21	8.48	100RC09PCBRP2	19.94	14.35	8.48	9 way	Male
		15 way	100RC15PBP2	35.31	29.21	12.29	100RC15PCBRP2	23.75	18.16	12.29	15 way	
		21 way	100RC21PBP2	43.93	36.83	16.10	100RC21PCBRP2	27.56	21.97	16.10	21 way	
		25 way	100RC25PBP2	44.20	38.10	18.64	100RC25PCBRP2	30.10	24.51	18.64	25 way	
		31 way	100RC31PBP2	51.82	45.72	22.45	100RC31PCBRP2	33.91	28.32	22.45	31 way	
	Female	37 way	100RC37PBP2	59.44	53.34	26.26	100RC37PCBRP2	37.72	32.13	26.26	37 way	
		51 way	100RC51PBP2	67.66	50.80	24.99	100RC51PCBRP2	36.45	30.86	24.99	51 way	
		100 way	100RC100PBP2	77.98	71.12	35.13	100RC100PCBRP2	55.12	45.72	35.13	100 way	
		9 way	100RC09SBP2	35.31	29.21	10.21	100RC09SCBRP2	19.94	14.35	10.21	9 way	
		15 way	100RC15SBP2	35.31	29.21	13.97	100RC15SCBRP2	23.75	18.16	13.97	15 way	
	21 way	100RC21SBP2	43.93	36.83	17.83	100RC21SCBRP2	27.56	21.97	17.83	21 way		
	25 way	100RC25SBP2	44.20	38.10	20.37	100RC25SCBRP2	30.10	24.51	20.37	25 way		
	31 way	100RC31SBP2	51.82	45.72	24.18	100RC31SCBRP2	33.91	28.32	24.18	31 way		
	37 way	100RC37SBP2	59.44	53.34	27.99	100RC37SCBRP2	37.72	32.13	27.99	37 way		
	51 way	100RC51SBP2	67.66	50.80	26.72	100RC51SCBRP2	36.45	30.86	26.72	51 way		
	100 way	100RC100SBP2	77.98	71.12	38.10	100RC100SCBRP2	55.12	45.72	38.10	100 way		



Standard Part Number Solutions Shown
 Mil-DTL-83513 Metal Shell with Polyphenylene Sulfide Insulator Cadmium Shell finish.



Standard Part Number Solutions Shown
 Mil-DTL-83513 Metal Shell with Polyphenylene Sulfide Insulator Cadmium Shell finish.

Variations

- Series 101 – Low Profile version
- Series 102 – All Plastic version of Series 100
- Series 104 – Stainless Steel version of 100
- Shell Finishes – Anodized/Gold/Iridite-Alodine/Electroless Nickel/Tin
- Crimp Contact – 24-32AWG for Stranded and Solid
- Mounting Options – Jackscrews/Float/Jackpost
- Solder Tail – 2.77/4.37/6.35mm
- Insert Arrangements – Signal+Power+Coaxial combinations
- Narrow Body Right Angle PCB Mount
- Detailed Catalogue – Amphenol Phoenix Interconnect

Insert Arrangements

