

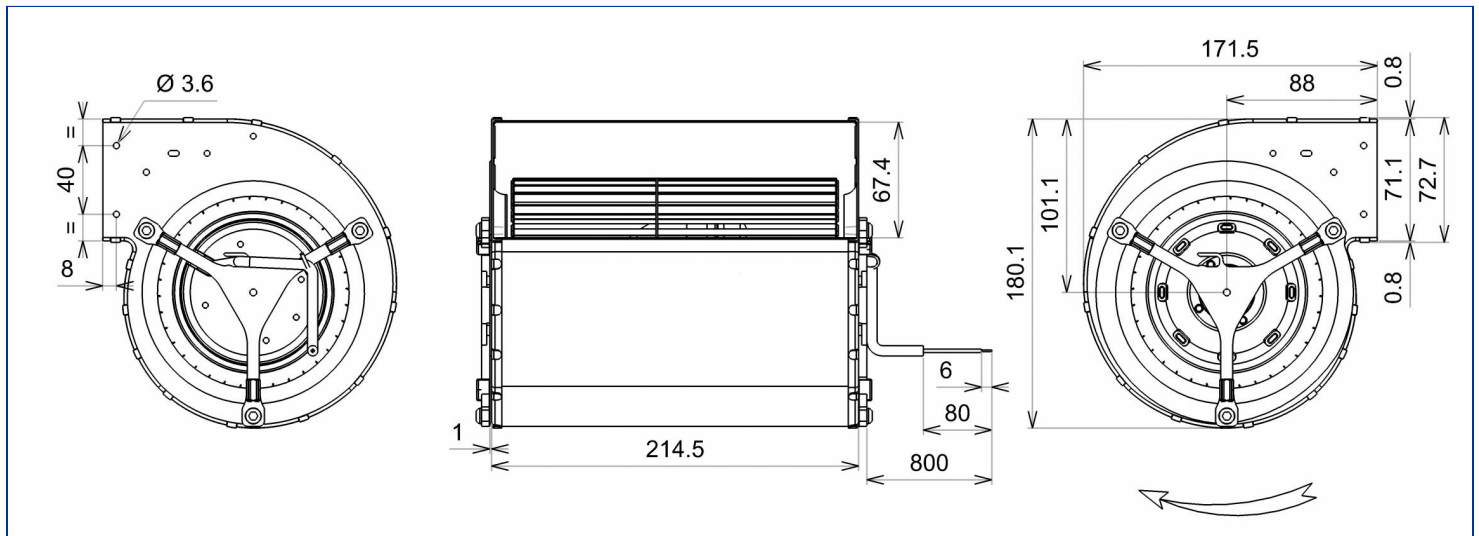


Designation **2GDS25 133x190R**

Range Double inlet centrifugal fans with single phase asynchronous motor

ELECTRICAL DATA

Speed		
Tension (V)	230	230
Frequency (Hz)	50	60
Current (A)	0.74	0.77
Maximum current (A)	0.81	0.85
Power (W)	169	177
Maximum power (W)	169	178
Rotation (RPM)	1355	1465
Cos Φ	0.993	0.999
Temperature min/max (°C)	-20/+60	-20/+60
Capacitor (µF)	4.00	4.00
U_condo (V)	400	400



MARKING & STANDARDS

Conformity

- CE



Thermally Protected
143-06
19-21-000

The product is manufactured in accordance with EN 60335-1, and RoHS directive 2015/863/CE
IP class according to EN 60034-5 to be checked with operation and installation

Issued: 2021-07-09 at 10:36 Documentations and pictures are non contractual, all the data of the technical file and the drawing are subject to change.

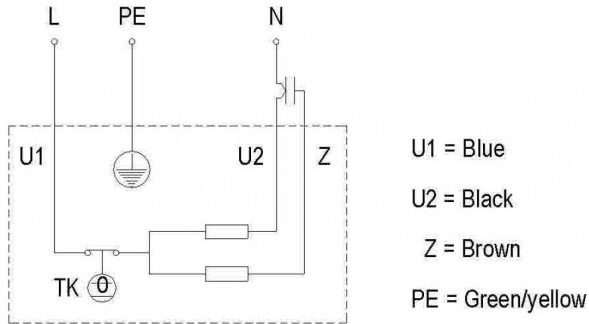
EN - Page 1 / 4

TECHNICAL DATA

Description

- Weight: 3.30 kg
- Without Condensat Drain Holes
- Class F
- Protection level: 44 | Protection against ingress of solid with diameter ≥ 1 mm / Protection against ingress of water : splashing
- Motor's protection T150° C Automatic reset
- Bearing type: 2 ball bearings 608ZZ
- Balance level: G2.5

Wiring diagram



Finishes

- Galvanized steel impeller
- Galvanized steel scroll housing

The product is manufactured in accordance with EN 60335-1, and RoHS directive 2015/863/CE
IP class according to EN 60034-5 to be checked with operation and installation

Issued: 2021-07-09 at 10:36 Documentations and pictures are non contractual, all the data of the technical file and the drawing are subject to change.

EN - Page 2 / 4



ADDITIONAL DATA

Accessories

- 19019 | Capacitor
- 21236 | Finger guard

Documentations

- Operating and recycling manual
<http://www.ecofit.com/anglais/normes>

Measurement setup

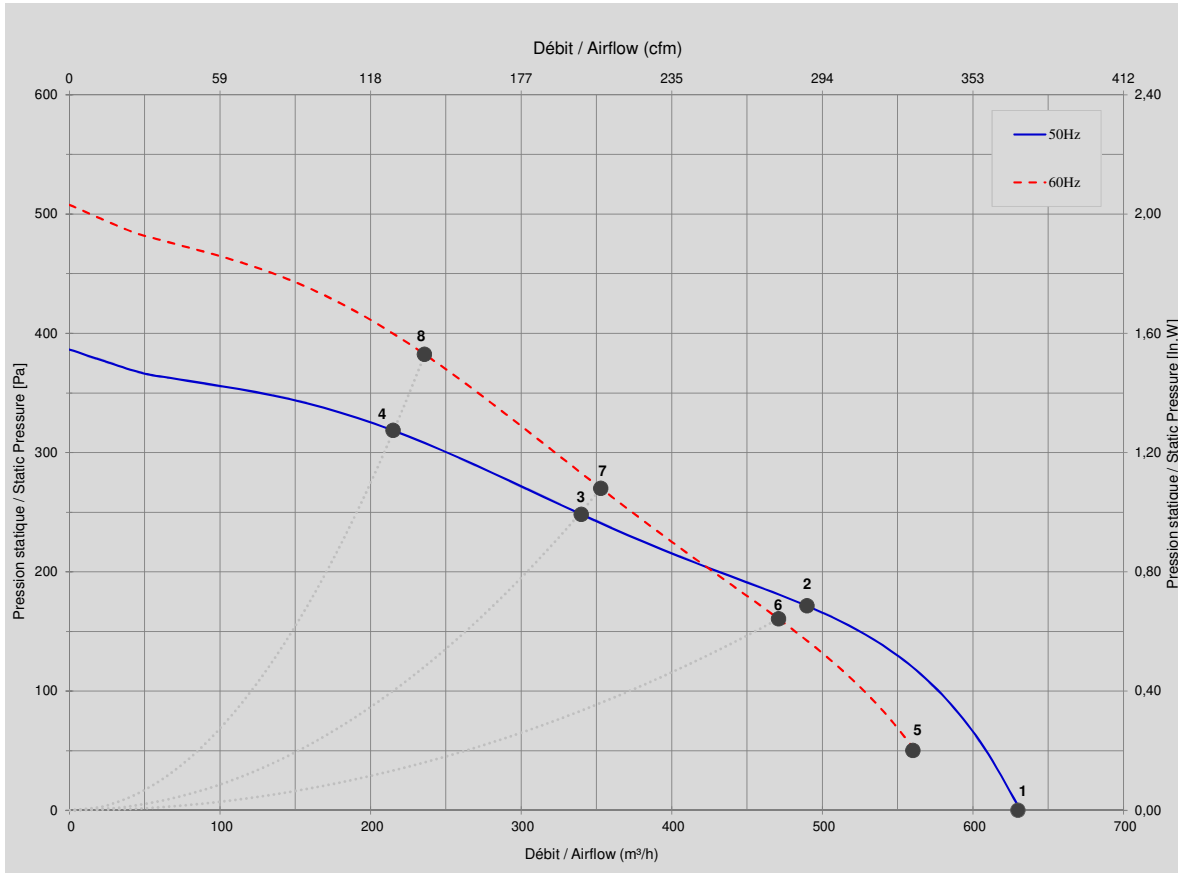
- Scroll 15109-c VOL VRD215

ERP DATA

ErP Directive ErP (EU 2009/125/EC) not applicable:

- Power at optimum energy efficiency point <125W

TECHNICAL DATA



Mesures / Measured Values *

	Un (V)	F (Hz)	C (µF)	P (W)	n (RPM)	Q (m³/h)	P (Pa)	Q (cfm)	P (In.W)	Lp _m (dBA)
1	230	50	4	169	1355	630	0	371	0,000	61,0
2	230	50	4	138	2110	490	171	288	0,686	63,0
3	230	50	4	115	2409	340	248	200	0,994	66,0
4	230	50	4	97	2594	215	319	127	1,276	67,0
5	230	60	4	177	1465	560	50	330	0,200	59,0
6	230	60	4	169	2061	471	161	277	0,643	62,0
7	230	60	4	154	2500	353	270	208	1,082	66,0
8	230	60	4	135	2866	236	382	139	1,532	68,0

* Air performance measured according to: ISO 5801, installation category C.
Intake-side sound level: according to ISO 3744, LpA measured at 1 m distance from fan axis. The values given are only applicable under the specified measuring conditions and may differ depending on the installation conditions. In the event of deviation

The product is manufactured in accordance with EN 60335-1, and RoHS directive 2015/863/CE
IP class according to EN 60034-5 to be checked with operation and installation