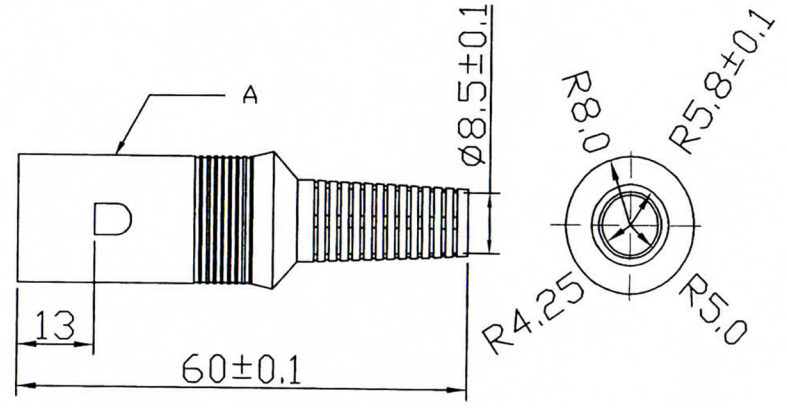
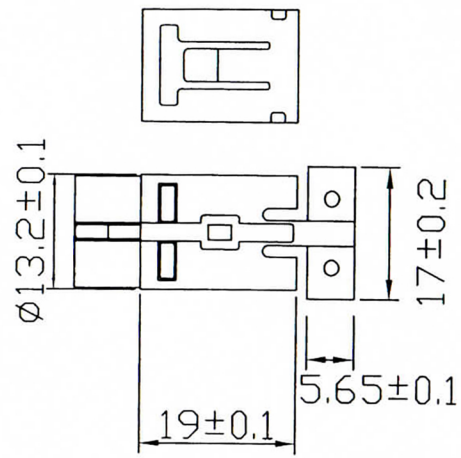
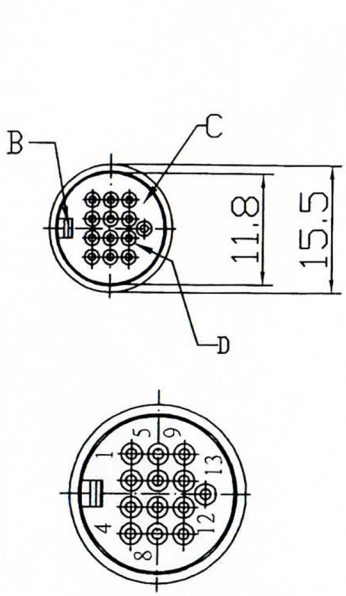


040-26


040-26

REVISIONS				
ZONE	REV	DESCRIPTION	DATE	APPROVED
	1	PDF	06/04/2021	



MATERIALS

- A. BOOT: EVA
- B. SPRING: PHOSPHOR
NICKEL PLATED
- C. INSULATOR: PBT
- D. PIN CONTACT: BRASS
SILVER PLATED

BY	DATE	 PAN PACIFIC ENTERPRISE CO.	
DRAWN			
CHK'D			
APPRV			
MATERIAL		PART NO	
		DIN-46100-13S	
FINISH		UNITS	SHEET
		SCALE	1 OF 1
		NONE	