

24A01G-3



24A06G-1

LEVEL-TEMP LOW VOLTAGE CONTROL SYSTEMS FOR ELECTRIC HEAT

Provides Silent Operation and Narrow Differential Control for Heating or Cooling Installations for use with a 2-Wire 24 Volt Thermostat

FEATURES

- Level-Temp allows low voltage 2-wire thermostat to control line voltage loads such as baseboard heaters.
- Conduit hub or screw mounting.
- Ideal for all types of electrical heat.
- Non-critical mounting angle. Universal break-off mounting tabs.
- Dual Level-Temp capable of controlling two separate loads.

SPECIFICATIONS

Dimensions Models 24A01 / 05 1⁷/₈" H x 4¹/₂" W x 2⁷/₁₆" D
 Dimensions Model 24A06 3¹³/₁₆" H x 4¹³/₁₆" W x 2¹/₈" D
 Dimensions Model 24A07 1⁷/₈" H x 4⁹/₁₆" W x 1²⁹/₃₂" D

Single Level Temp

Switch Action SPST normally open
 Average Time Delay 45 seconds
 Lead length 18 inches
 Ambient temperature range -20 to +140°F

Dual Level Temp

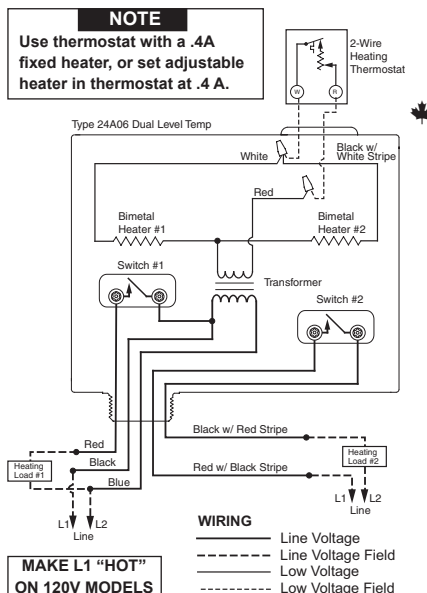
Switch Action Two independent: SPST normally open
 Average Time Delay 45 seconds
 Lead length 18 inches
 Ambient temperature range -20 to +120°F
 Agency U.L. listed and C.S.A. approved. Design complies with U.L. 873 T.I.R.E. standard (Temperature Indicating & Regulating Equipment)

TECHNICAL HELP

Wiring and Dimension Drawing, 24A01 / 24A05 . . . page 213



NOTE
 Use thermostat with a .4A fixed heater, or set adjustable heater in thermostat at .4 A.



SINGLE LEVEL TEMPS – Normally Open

Model Number	Input Voltage / Frequency	Thermostat Current	A.C. Resistive (Non-inductive)	A.C. Motor Rating (Inductive)	
				Full Load	Locked Rotor
24A01G-3	240 VAC / 60 Hz	0.2A	25A, 6000W, 240v	12A, 240v	72A, 240v
24A01Z-10	347 VAC / 60 Hz	0.2A	17A, 5900W, 347v	—	—
24A05A-1	120 VAC / 60 Hz	0.2A	25A, 3000W, 120v	16A, 120v	96A, 120v
24A05E-1	208 VAC / 60 Hz	0.2A	22A, 5200W, 208v	12A, 208v	72A, 208v

DUAL LEVEL TEMPS – Controls Two Independent Loads – Normally Open

Model Number	Input Voltage / Frequency	Thermostat Current	A.C. Resistive ① (Non-inductive)	A.C. Motor Rating (Inductive)	
				Full Load	Locked Rotor
24A06G-1	240 VAC / 60 Hz	0.2A per switch	25A, 6000W, 240v	12A, 240v	72A, 240v

① Electrical ratings apply to each switch load

NOTE: Delay approximately 30 seconds opening and 60 seconds closing

REPLACES HONEYWELL R841 SERIES

☛ Indicates Canadian Model Number: call 1-800-305-6953 to order