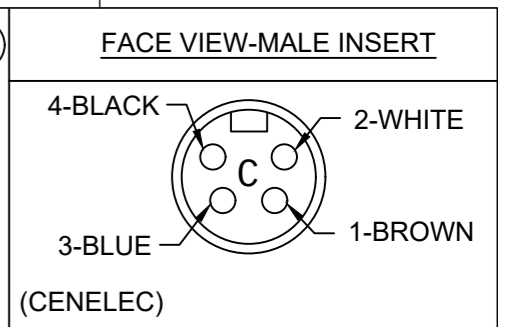
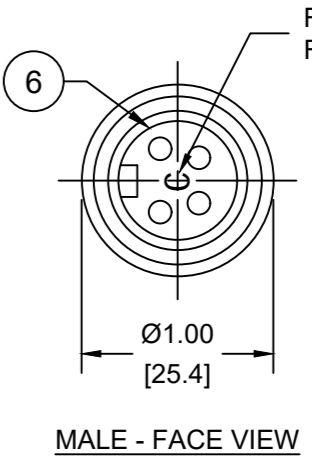
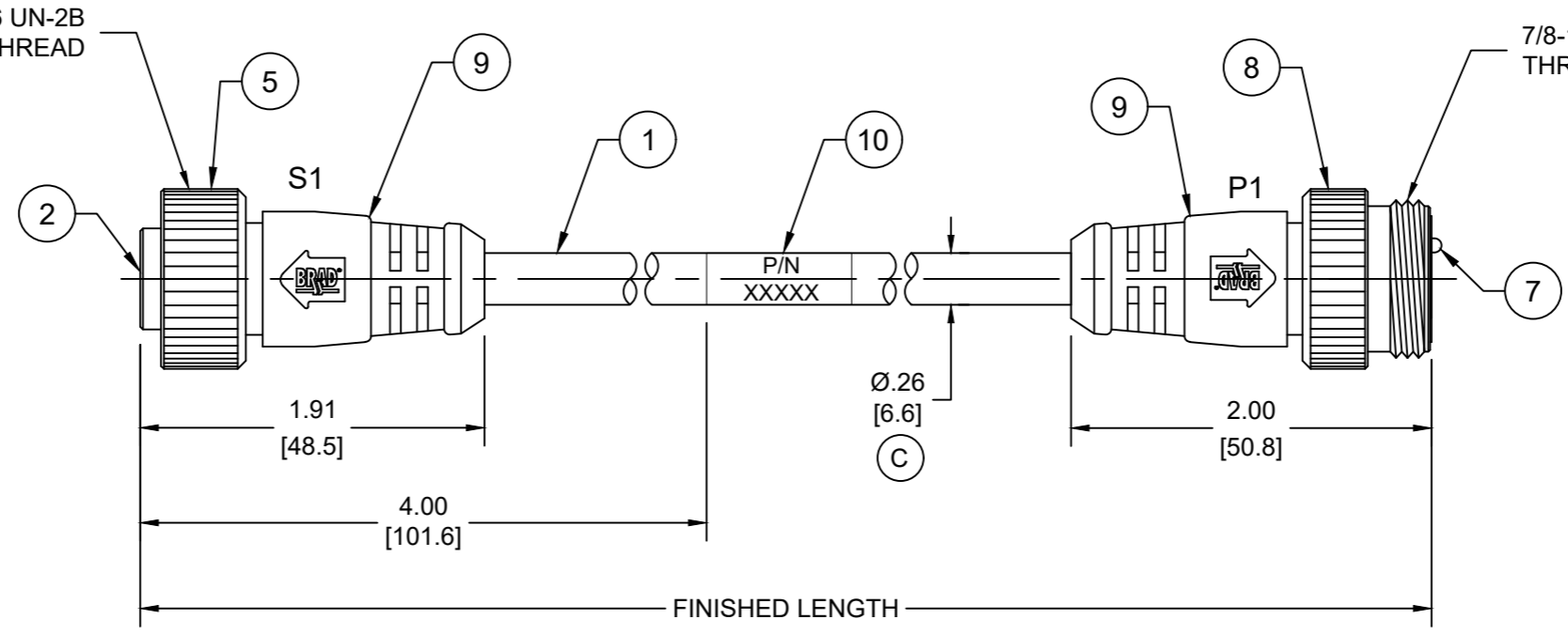
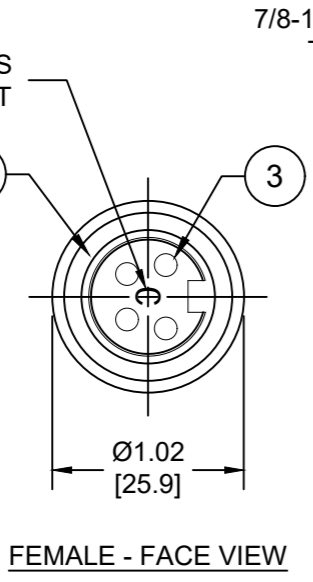


PART NO	ENGINEERING NO.	FINISHED LENGTH
1300102010	114030A05M020	2M [6FT 7 IN]
1300102013	114030A05M100	10M [32FT 10 IN]
1300102014	114030A05M200	20M [65FT 7 IN]



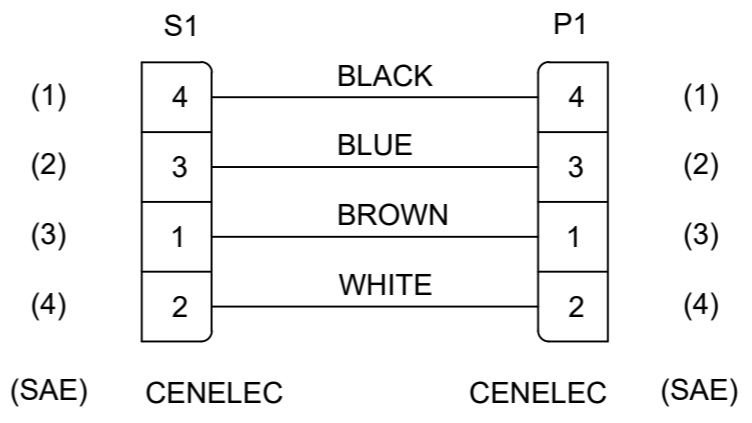
- REF. LETTER "C" IS FOR CENELEC INSERT
- NOTES:
- MATERIAL: AS NOTED
 - FINISH: AS NOTED
 - ELECTRICAL:
 - VOLTAGE: 483 PER IEC60664
 - 300 PER UL2238
 - CURRENT: 5.6A
 - TEMP RATING: -20°C TO +80°C
 - PROTECTION: IP67 (WHEN MATED)
 - COUPLING THREAD: AS SHOWN
 - UL RECOGNIZED FILE: E152210
 - CSA CERTIFIED FILE: LR6837
 - ALL DIMENSIONS ARE FOR REFERENCE UNLESS TOLERANCED OR NOTED OTHERWISE



PART NUMBER LEGEND
 114030A05M050

FINISHED LENGTH:
 M005= 0.5 METER
 M010= 1 METER
 M100= 10 METER

WIRING DIAGRAM



CABLE LENGTH TOLERANCES

<.3M [1FT]:	+19mm-0 [+.75in-0]
.3 - .9M [1 - 3FT]:	+44.5mm-0 [+1.75in-0]
.9 - 1.8M [3 - 6FT]:	+55.6mm-0 [+2.19in-0]
1.8 - 3.7M [6 - 12FT]:	+88.9mm-0 [+3.50in-0]
3.7 - 7.3M [12 - 24FT]:	+165.1mm-0 [+6.50in-0]
7.3-14.6M [24 - 48FT]:	+317.5mm-0 [+12.50in-0]
14.6 - 30.5M [48-100FT]:	+622.3mm-0 [+24.50in-0]
OVER 30M [100FT]:	+2% OF FINISHED LENGTH

ITEM	COMPONENT	MATERIAL	FINISH
10	WRAP LABEL	VINYL	YELLOW
9	OVERMOLD	TPE	YELLOW
8	COUPLING NUT, MALE	ZINC DIE-CAST	BLACK E-COAT
7	PIN CONTACT	COPPER ALLOY	GOLD PLATED
6	MALE INSERT	TPE	YELLOW
5	COUPLING NUT, FEMALE	ZINC DIE-CAST	BLACK E-COAT
4	FRICITION RING	NYLON	WHITE
3	SOCKET CONTACT	COPPER ALLOY	GOLD PLATED
2	FEMALE INSERT	TPE	YELLOW
1	PVC CABLE	PVC	YELLOW

FUNCTIONAL SYMBOLS	THIS DRAWING CONTAINS INFORMATION THAT IS PROPRIETARY TO MOLEX ELECTRONIC TECHNOLOGIES, LLC AND SHOULD NOT BE USED WITHOUT WRITTEN PERMISSION		CURRENT REV DESC: UPDATED BOM MATERIALS & NUMBERS OF PINOUTS FOR CENELEC INSERT. ADDED IEC VOLTAGE, CABLE DIA, UL, CSA, PN CHART & TOL CHART.				
	DIMENSION UNITS	SCALE					
DIVISIONAL SYMBOLS	INCH/MM	NTS	EC NO: 801051		SD-130010-026		
	GENERAL TOLERANCES (UNLESS SPECIFIED)		DRWN: ABENJAMINLW 2024/07/02	DOC TYPE/DOC PART/REVISION			
FUNCTIONAL SYMBOLS	4 PLACES ±---	±---	DRWN: BARDEN 2024/10/23	PSD 001 C			
	3 PLACES ±---	±---	CHK'D: LESPINOZA 2024/10/23				
	2 PLACES ±---	±---	APPR: BWOODMAN 2024/10/23				
	1 PLACE ±---	±---	INITIAL REVISION:				
FUNCTIONAL SYMBOLS	0 PLACES ±---	±---	DRWN: BARDEN 2013/02/06				
	ANGULAR TOL ± --- °	± --- °	APPR: JFMURPHY 2013/06/21				
DRAFT WHERE APPLICABLE MUST REMAIN WITHIN DIMENSIONS		THIRD ANGLE PROJECTION	DRAWING	SERIES	MATERIAL NUMBER	CUSTOMER	SHEET NUMBER
			B-SIZE	130010	SEE CHART	GENERAL MARKET	1 OF 1