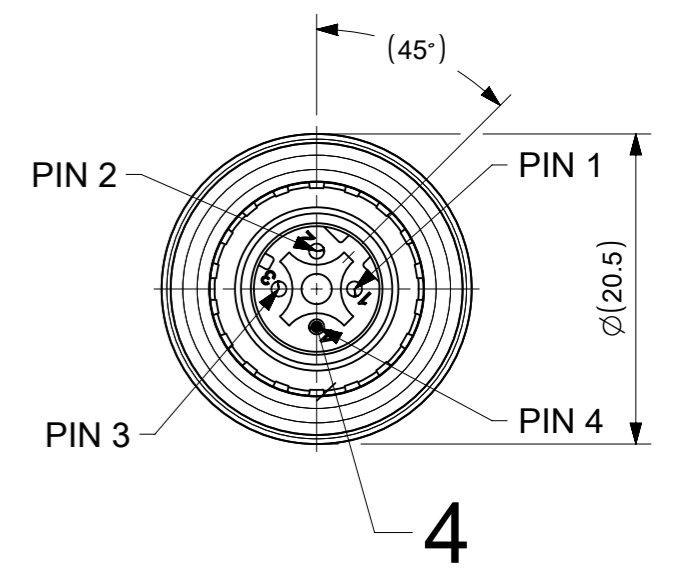
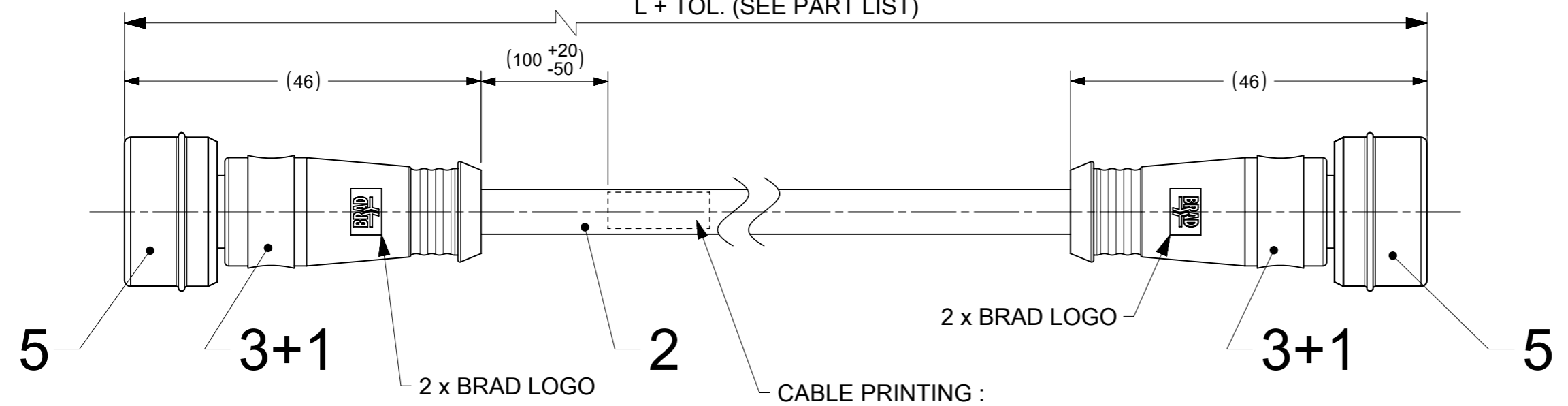


L + TOL. (SEE PART LIST)



CABLE PRINTING :
 Molex PN OLD ENG NO MX(YYWW*)
 *Where - YY-Year, WW-Week
 Example for production date year 2022 week 42:
 Molex 1204061017 EYYAS6012M010 MX2242

CABLE INFORMATION (for more information see Cable Data Sheet)

CABLE TYPE	NO. OF WIRES	CROSS SECTION	OUTER DIA [mm]	CABLE JACKET	UL	CSA	STATIC: TEMP. / BENDING RADIUS	DYNAMIC: TEMP. / BENDING RADIUS	DRAG CHAIN	SHIELD
12	4	0.34mm ²	6.8 ± 0.2	WSOR PU BASED, GREEN SIMILAR RAL 6018	UL STYLE 21215	-	-40°C to +80°C	-10°C to +70°C	2 000 000 cycles, >7.5xD	YES
16	4	0.22mm ²	6.5 ± 0.2	WSOR PU BASED, GREEN SIMILAR RAL 6026	UL STYLE 21215	-	-50°C to +80°C	-40°C to +80°C	2 000 000 cycles, >7.5xD	YES

NOTES:

ELECTRICAL DATA:
 POLES: 4, D-CODING
 VOLTAGE RATING: 250V (UL)
 CURRENT RATING: 4 A
 INSULATION RESISTANCE. 10⁹ Ω MIN.
 TRANSMISSION CHARACTERISTICS ACCORDING TO ISO/IEC 11801
 CATEGORY 5e PATCH CORD PROFINET TYPE C

ENVIRONMENTAL:
 PROTECTION: IP67 For both, cable 16 and cable 12 in mated and locked position.
 IP69k only with Cable 12 in mated and locked position.
 MATING CYCLES: MIN. 100
 TEMPERATURE RANGE PLUG: -40 °C TO +85 °C



SCALE 1:2

PART LIST

MOLEX NO.	ENGINEERING NO.	LENGHT (mm)	RAW CABLE
1204061017	EYYAS6012M010	1000	CABLE 12
1204061018	EYYAS6012M020	2000	CABLE 12
1204061019	EYYAS6012M050	5000	CABLE 12
1204061020	EYYAS6012M100	10000	CABLE 12
1204061021	EYYAS6016M010	1000	CABLE 16
1204061022	EYYAS6016M020	2000	CABLE 16
1204061023	EYYAS6016M050	5000	CABLE 16
1204061024	EYYAS6016M100	10000	CABLE 16

BILL OF MATERIALS

ITEM	QTY.	DESCRIPTION	MATERIAL	FINISH/COLOR
1	-	OVERMOLD	TPC	BLACK
2	-	CABLE	SEE CABLE INFORMATION	SEE CABLE INFORMATION
3	2	SLEEVE SHLD STR	BRASS	NICKEL
4	8	CONTACT MALE	BRASS	SELECTIVE GOLD
5	2	PLUG U12 4P DC MA SHLD	-	-

CABLE LENGTH TOLERANCES

LENGTH	TOLERANCE
0 m-1 m	+40 mm
>1 m-5 m	+60 mm
>5 m-10 m	+80 mm
>10 m-20 m	+140 mm
>20 m-30 m	+160 mm
>30 m	+1% length

THIS DRAWING CONTAINS INFORMATION THAT IS PROPRIETARY TO MOLEX ELECTRONIC TECHNOLOGIES, LLC AND SHOULD NOT BE USED WITHOUT WRITTEN PERMISSION

FUNCTIONAL SYMBOLS: $\nabla/A = 0$, $\nabla/E = 0$, $\nabla/V = 0$

DIVISIONAL SYMBOLS: 4 PLACES ±, 3 PLACES ±, 2 PLACES ± 0.05, 1 PLACE ± 0.3, 0 PLACES ± 0.5

DRAFT WHERE APPLICABLE MUST REMAIN WITHIN DIMENSIONS

THIRD ANGLE PROJECTION

DRAWING: A3-SIZE

SERIES: 120406

MATERIAL NUMBER: SEE PART LIST

CUSTOMER: GENERAL MARKET

SHEET NUMBER: 1 OF 2

EC NO: 802002
 DRWN: RSCHIEBER 2024/10/22
 CHK'D: RSILLER 2024/10/23
 APPR: RSILLER 2024/10/23

INITIAL REVISION:
 DRWN: ARPITT 2022/08/05
 APPR: RSILLER 2023/07/14

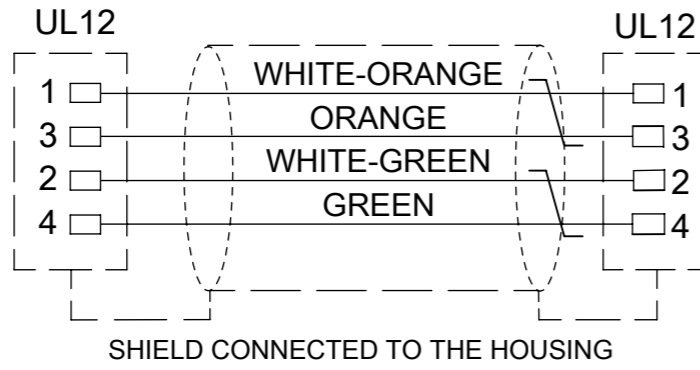
DOCUMENT NUMBER: 1204061017
 DOC TYPE: PSD
 DOC PART: 000
 REVISION: A4

molex

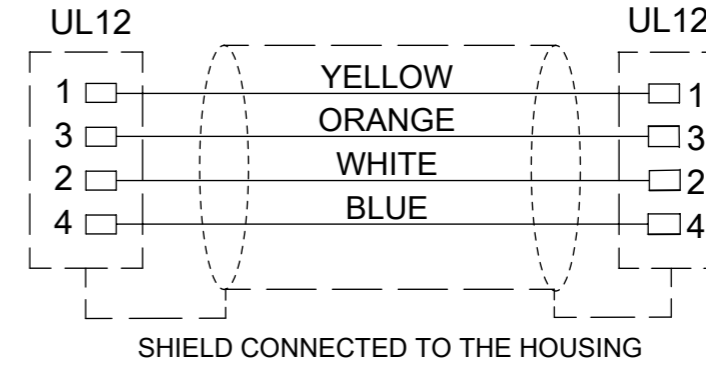
CSE U12 4P DC MA MA STR WSOR XM DE SHLD

PRODUCT CUSTOMER DRAWING

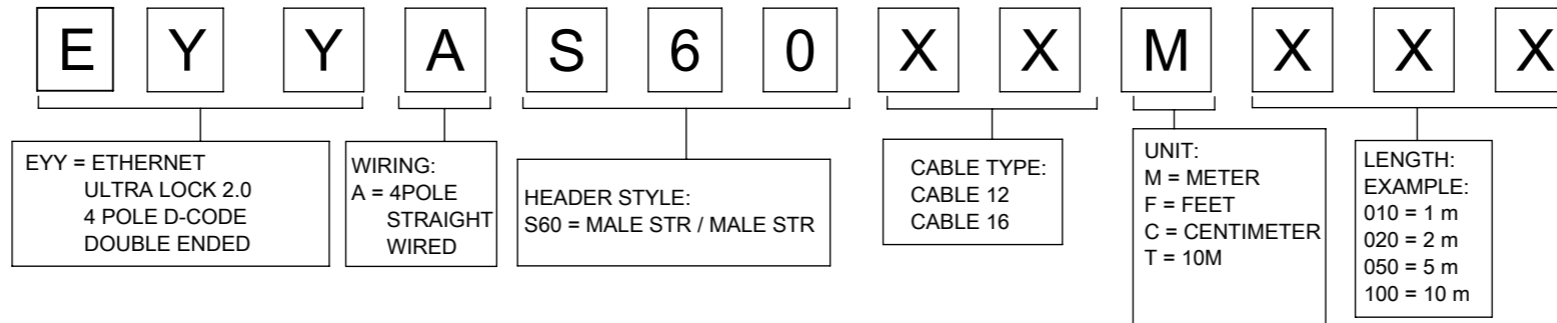
WIRING DIAGRAM (CABLE 16)



WIRING DIAGRAM (CABLE 12)



PART No MATRIX



FUNCTIONAL SYMBOLS	THIS DRAWING CONTAINS INFORMATION THAT IS PROPRIETARY TO MOLEX ELECTRONIC TECHNOLOGIES, LLC AND SHOULD NOT BE USED WITHOUT WRITTEN PERMISSION	
	DIMENSION UNITS: mm SCALE: 2:1	CURRENT REV DESC: ADDED CABLE INFORMATION TABLE WITH UPDATED TEMPERATURE IN CABLE 16
DIVISIONAL SYMBOLS	GENERAL TOLERANCES (UNLESS SPECIFIED) ANGULAR TOL ± 1.0°	EC NO: 802002 DRWN: RSCHIEBER 2024/10/22 CHK'D: RSILLER 2024/10/23 APPR: RSILLER 2024/10/23
	4 PLACES ± 3 PLACES ± 2 PLACES ± 0.05 1 PLACE ± 0.3 0 PLACES ± 0.5	
DRAFT WHERE APPLICABLE MUST REMAIN WITHIN DIMENSIONS		THIRD ANGLE PROJECTION
DOCUMENT STATUS: P1 RELEASE DATE: 2024/10/23 07:52:47		DRAWING: A3-SIZE SERIES: 120406 MATERIAL NUMBER: SEE PART LIST CUSTOMER: GENERAL MARKET SHEET NUMBER: 2 OF 2

molex

CSE U12 4P DC MA MA STR WSOR XM DE SHLD

PRODUCT CUSTOMER DRAWING

DOCUMENT NUMBER: 1204061017

DOC TYPE: PSD | DOC PART: 000 | REVISION: A4