

PLEASE CHECK WWW.MOLEX.COM FOR LATEST PART INFORMATION

Part Number: [1300660170](#)
Status: **Active**
Overview: Brad Power Cordsets and Receptacles
Description: BradPower D-Size (1 3/8"-M35) Brad Power Receptacle, 4 Poles, Male, 1/2" - 14 NPT, 10/1 AWG, 0.50m (1.64') Length

Documents:

[Drawing \(PDF\)](#) [RoHS Certificate of Compliance \(PDF\)](#)

Agency Certification

UL E258922

General

Product Family Industrial Receptacles
 Series [130066](#)
 IP Rating IP67
 Overview [Brad Power Cordsets and Receptacles](#)
 Product Name BradPower D-Size
 Type Single Ended (pigtail)
 UPC 78678858949

Physical

Coupling Type External Thread
 Gender Male
 Keyway Single
 Length 0.50m
 Material - Component Black Anodized Aluminum
 Mounting Thread Size 1/2" - 14 NPT
 Orientation Straight
 Panel Mount Front
 Poles 4
 Temperature Range - Operating -20°C to +90°C
 Wire Size AWG 10
 Wire/Cable Type THHN

Electrical

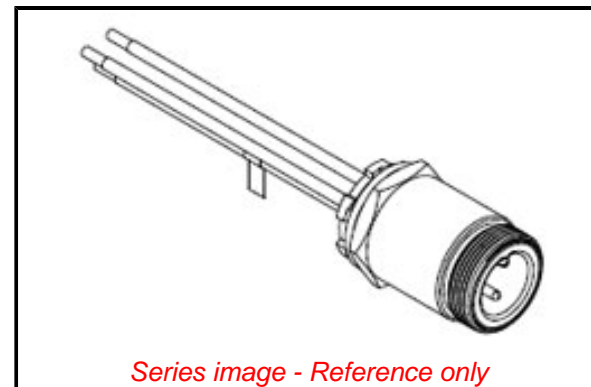
Current - Maximum per Contact 25.0A
 Voltage - Maximum 600V

Material Info

Engineering Number CR4006A30M005

Reference - Drawing Numbers

Sales Drawing SD-130066-054



Series image - Reference only

EU ELV

Not Relevant

EU RoHS

Not Reviewed

REACH SVHC

Not Reviewed

Halogen-Free

Status

Not Reviewed

For more information, please visit [Contact US](#)

China ROHS

Not Reviewed

ELV

Not Relevant

RoHS Phthalates

Not Reviewed

China RoHS

Search Parts in this Series

[130066 Series](#)

PLEASE CHECK WWW.MOLEX.COM FOR LATEST PART INFORMATION