

**PLEASE CHECK WWW.MOLEX.COM FOR LATEST PART INFORMATION**

**Part Number:** [1300660143](#)  
**Status:** **Active**  
**Overview:** BradPower Cordsets and Receptacles  
**Description:** BradPower D-Size (1 3/8"-M35) Brad Power Receptacle, 3 Poles, Male, 3/4"-14 NPT, 10/1 AWG, 0.5m (19.7") Length

**Documents:**

[Drawing \(PDF\)](#) [RoHS Certificate of Compliance \(PDF\)](#)

**Agency Certification**

UL E258922

**General**

Product Family Industrial Receptacles  
 Series [130066](#)  
 IP Rating IP67  
 Overview [BradPower Cordsets and Receptacles](#)  
 Product Name BradPower D-Size  
 Type Single Ended (pigtail)  
 UPC 78678883695

**Physical**

Coupling Type External Thread  
 Gender Male  
 Keyway Single  
 Length 0.50m  
 Material - Component Black Anodized Aluminum  
 Mounting Thread Size 3/4" - 14 NPT  
 Orientation Straight  
 Panel Mount Front  
 Poles 3  
 Temperature Range - Operating -20°C to +90°C  
 Wire Size AWG 10  
 Wire/Cable Type THHN

**Electrical**

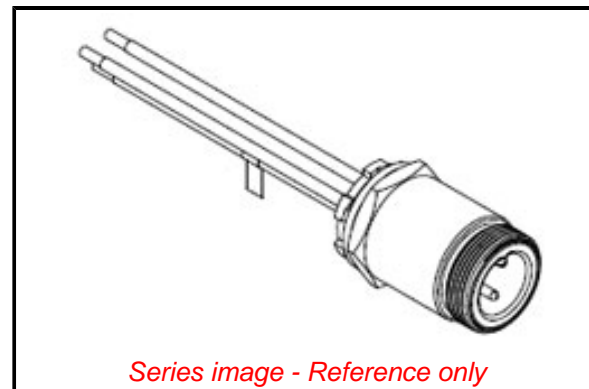
Current - Maximum per Contact 30.0A  
 Voltage - Maximum 600V

**Material Info**

Engineering Number CR3C06A30M005

**Reference - Drawing Numbers**

Sales Drawing SD-130066-053



*Series image - Reference only*

**EU ELV**

**Not Relevant**

**EU RoHS**

**Not Reviewed**

**REACH SVHC**

Not Reviewed

**Halogen-Free**

**Status**

**Not Reviewed**

For more information, please visit [Contact US](#)

China ROHS

Not Relevant

ELV

Not Relevant

RoHS Phthalates

Not Reviewed

**Search Parts in this Series**

[130066 Series](#)