

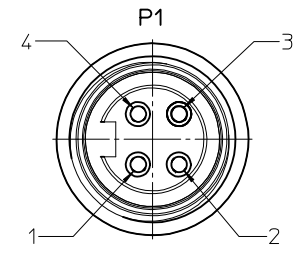
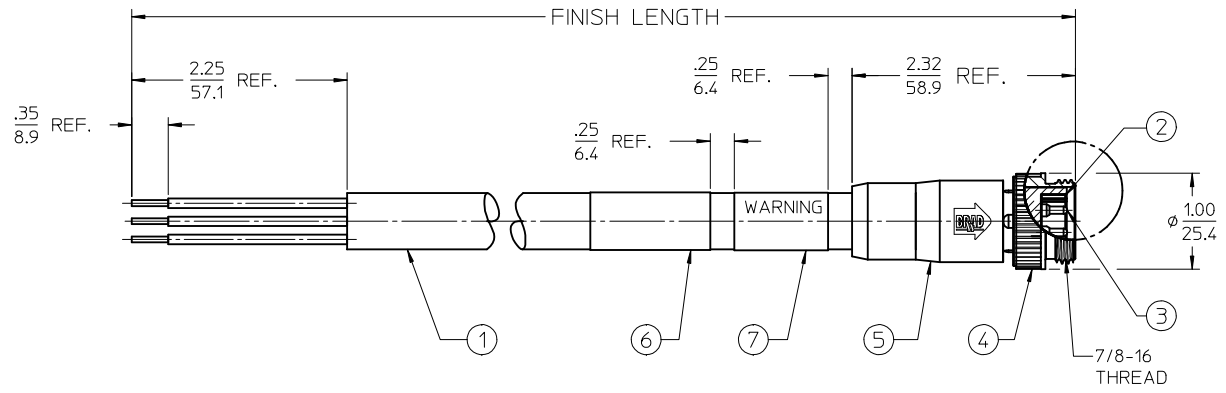
MATERIAL NO.	ENGINEERING NO.	LENGTH
1300610256	104006K21M010G	1.0M
1300610257	104006K21M020G	2.0M
1300610258	104006K21M030G	3.0M

(B1) CABLE LENGTH TOLERANCES
 >.3M [1FT]: +19mm-0 [+1.75in-0]
 .3 - .9M [1 - 3FT]: +44.5mm-0 [+1.75in-0]
 .9 - 1.8M [3 - 6FT]: +55.6mm-0 [+2.19in-0]
 1.8 - 3.7M [6 - 12FT]: +88.9mm-0 [+3.50in-0]
 3.7 - 7.3M [12 - 24FT]: +165.1mm-0 [+6.50in-0]
 7.3-14.6M [24 - 48FT]: +317.5mm-0 [+12.50in-0]
 14.6 - 30.5M [48-100FT]: +622.3mm-0 [+24.50in-0]
 OVER 30M [100FT] +2% OF FINISHED LENGTH

PART NUMBER LEGEND

104006K21MXXXG
 COLOR: BLACK
 FINISHED LENGTH:
 M001= .1M
 M010= 1.0M
 M100= 10.0M

CABLE TYPE: 14 AWG TC ER



MALE FACE
SCALE: 2X

	P1
BLACK #1	1
BLACK #2	2
BLACK #3	3
GREEN/YELLOW	4

WIRING DIAGRAM

NOTES:

- MATERIAL: AS NOTED
- FINISHES: AS NOTED
- ELECTRICAL SPECIFICATIONS
 VOLTAGE RATING: 483V PER IEC60664 **(B1)**
 600V PER UL2237
 CURRENT RATING: 15 AMPS
- PROTECTION: IP67 (WHEN MATED)
- TEMP RANGE: -20°C TO +90°C
- (B1)** AGENCY LISTING: E258922
- DIMS SHOWN ARE FOR REFERENCE UNLESS NOTED OTHERWISE

ITEM	QTY	DESCRIPTION	MATERIAL	FINISH
7	1	WARNING LABEL	VINYL	ORANGE/BLACK
6	1	WRAP LABEL	VINYL	BLACK/YELLOW
5	1	OVERMOLD	PVC	BLACK
4	1	MALE COUPLING NUT	ZINC ALLOY	BLACK
3	4	CONTACT PIN	CU ALLOY	GOLD PLATE
2	1	MALE INSERT	PVC	BLACK
1	SEE LEGEND	CABLE, 14/4	TPE	BLACK

IEC VOLTAGE WAS 370 ADD LENGTH TOLS & CHART EC NO: JGZ017-0940 DRAWN: DRWINRSTONE 2017/04/10 CHKD: CHKD: 2017/06/06 APPR: BWOODMAN
DESCRIPTION
REV B1

QUALITY SYMBOLS
 ▽=0
 ▽=0

GENERAL TOLERANCES (UNLESS SPECIFIED)

	mm	INCH
4 PLACES	± .05	± .002
3 PLACES	± .03	± .001
2 PLACES	± 0.05	± .002
1 PLACE	± 0.03	± .001
0 PLACE	± .05	± .002

ANGULAR ± .5°

DRAFT WHERE APPLICABLE MUST REMAIN WITHIN DIMENSIONS

DIMENSION STYLE		SCALE	DESIGN UNITS
IN/MM		1:1	INCH
DRAWN BY	DATE	TITLE	
RSTONE	2016/07/20	MINI-CHANGE ASSEMBLY	
CHECKED BY	DATE	4P M/MP STRAIGHT	
M ZIELINSKI	2016/07/27	14 AWG TPE CABLE	
APPROVED BY	DATE	molex	
BWOODMAN	2016/08/02	DOCUMENT NO. SD-130061-039	
MATERIAL NO.	-	SHEET NO. 1 OF 1	

THIS DRAWING CONTAINS INFORMATION THAT IS PROPRIETARY TO MOLEX INCORPORATED AND SHOULD NOT BE USED WITHOUT WRITTEN PERMISSION