

PLEASE CHECK WWW.MOLEX.COM FOR LATEST PART INFORMATION

Part Number: [1300170056](#)
Status: **Active**
Overview: [Brad Mini-Change Connectors](#)
Description: Mini-Change Field Attachable, Male Connector, 3 Pole, Cable Range: 5.08-12.19mm Outside Diameter with External Threads

Documents:

[Drawing \(PDF\)](#) [RoHS Certificate of Compliance \(PDF\)](#)

Agency Certification

UL E258922

General

Product Family Field Attachable / Accessories
 Series [130017](#)
 IP Rating IP67
 Material - Contact Brass
 Overview [Brad Mini-Change Connectors](#)
 Product Name Mini-Change
 Type Field Attachable Connector
 UPC 191128139922

Physical

Cable Diameter 5.00 - 12.00mm (.197-.472")
 Coupling Type External Thread
 Diagnostics / LEDs No
 Diagnostics Port No
 Gender Male
 Keyway Single
 Material - Connector Body Nylon
 Material - Coupling Nut Nickel-plated Brass
 Material - Plating Mating Gold over Nickel
 Net Weight 53.430/g
 Orientation Straight
 Poles 3
 Temperature Range - Operating -20°C to +80°C
 Wire Size AWG 15 to 24

Electrical

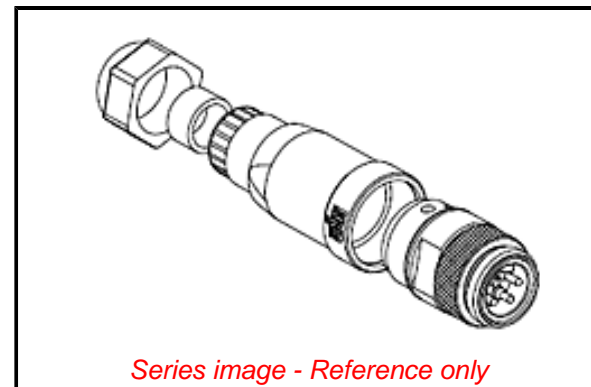
Current - Maximum per Contact 15.0A
 Voltage - Maximum 600V AC/DC

Material Info

Engineering Number 1A3006-34PWR

Reference - Drawing Numbers

Sales Drawing SD-130017-014



Series image - Reference only

EU ELV

Not Relevant

EU RoHS

Compliant with Exemption 6(c)

REACH SVHC

Contained Per - ED/71/2019 (16 July 2019)

Lead

Halogen-Free

Status

Not Low-Halogen

For more information, please visit [Contact US](#)

China ROHS

50 Image

ELV

Not Relevant

RoHS Phthalates

Not Contained

Search Parts in this Series

[130017 Series](#)