

**PLEASE CHECK WWW.MOLEX.COM FOR LATEST PART INFORMATION**

**Part Number:** [1300150049](#)  
**Status:** **Active**  
**Overview:** Brad Mini-Change Connectors  
**Description:** Mini-Change C-Size Receptacle with Leads 1/2" - 14 NPT Threads, Male (Straight) 10 Poles, 1.83m (6.0') Length

**Documents:**

[Drawing \(PDF\)](#) [RoHS Certificate of Compliance \(PDF\)](#)

**Agency Certification**

CSA LR6837  
 UL E152210

**General**

Product Family Industrial Receptacles  
 Series [130015](#)  
 Comments C-Size (1-1/8" - 16 UN-2A), C-Size (1-1/8" - 16 UN-2A)  
 IP Rating IP67  
 Overview [Brad Mini-Change Connectors](#)  
 Product Name Mini-Change  
 Type Single Ended (pigtail)  
 UPC 78678842018

**Physical**

Coupling Type External Thread  
 Gender Male  
 Keyway Single  
 Length 1.83m  
 Material - Component Zinc Die-Cast with Black Epoxy  
 Mounting Thread Size 1/2" - 14 NPT  
 Orientation Straight  
 Panel Mount N/A  
 Poles 10  
 Temperature Range - Operating -20°C to +105°C  
 Wire Size AWG 16  
 Wire/Cable Type UL 1015

**Electrical**

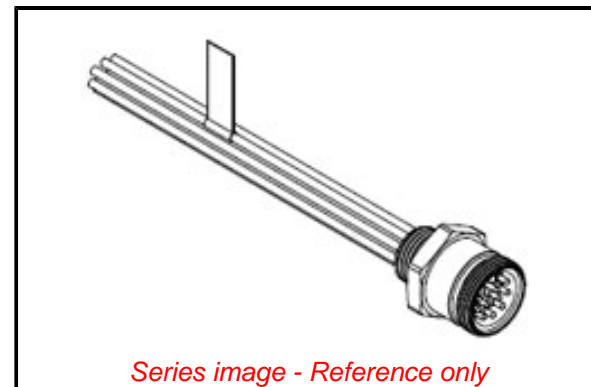
Current - Maximum per Contact 7.0A  
 Voltage - Maximum 600V AC/DC

**Material Info**

Engineering Number 3R1006A20F060

**Reference - Drawing Numbers**

Sales Drawing SD-130015-004, SD-130015-027



*Series image - Reference only*

**EU ELV**

**Not Relevant**

**EU RoHS**

**Not Reviewed**

**REACH SVHC**

Not Reviewed

**Halogen-Free**

**Status**

**Not Reviewed**

For more information, please visit [Contact US](#)

China ROHS

Not Reviewed

ELV

Not Relevant

RoHS Phthalates

Not Reviewed

**Search Parts in this Series**

[130015 Series](#)