

PLEASE CHECK WWW.MOLEX.COM FOR LATEST PART INFORMATION

Part Number: [1300130426](#)
Status: **Active**
Overview: [Brad Mini-Change Connectors](#)
Description: Mini-Change A-Size Receptacle, 5 Poles, 1/2" - 14 NPT Threads, Female (Straight) to 16 AWG, 2.0m (6.56') Length

Documents:

[Drawing \(PDF\)](#) [RoHS Certificate of Compliance \(PDF\)](#)

Agency Certification

CSA LR6837
 UL E152210

General

Product Family Industrial Receptacles
 Series [130013](#)
 IP Rating IP67
 Overview [Brad Mini-Change Connectors](#)
 Product Name Mini-Change
 Type Single Ended (pigtail)
 UPC 78678887611

Physical

Coupling Type Internal Thread
 Gender Female
 Keyway Single
 Length 2.0m
 Material - Component Nickel-plated Zinc Die-Cast
 Mounting Thread Size 1/2" - 14 NPT
 Net Weight 265.050/g
 Orientation Straight
 Panel Mount Front
 Poles 5
 Temperature Range - Operating -20°C to +105°C
 Wire Size AWG 16
 Wire/Cable Type UL 1015

Electrical

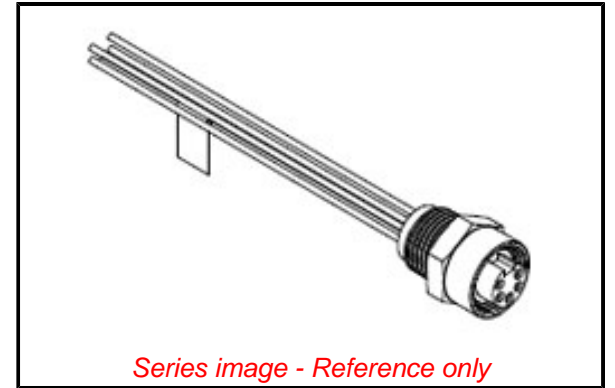
Current - Maximum per Contact 8.0A
 Voltage - Maximum 600V AC/DC

Material Info

Engineering Number 1R5000A20M020

Reference - Drawing Numbers

Sales Drawing SD-130013-087



Series image - Reference only

EU ELV

Not Relevant

EU RoHS

Not Compliant

REACH SVHC

Contained Per - ED/01/2018 (15 January 2018)
 Di-(2-ethylhexyl)phthalate (DEHP)

Halogen-Free

Status

Not Low-Halogen

For more information, please visit [Contact US](#)

China ROHS

ELV

RoHS Phthalates

China RoHS

50 Image

Not Relevant

Contained: DEHP

Search Parts in this Series

[130013 Series](#)