

PLEASE CHECK WWW.MOLEX.COM FOR LATEST PART INFORMATION

Part Number: [1300130273](#)
Status: **Active**
Overview: [Brad Mini-Change Connectors](#)
Description: Mini-Change A-Size Receptacle, 3 Poles, Female (Straight) to 16 AWG Leads, 0.305m (1.0') Length with Mounting Flange

Documents:

[Drawing \(PDF\)](#) [RoHS Certificate of Compliance \(PDF\)](#)

Agency Certification

CSA LR6837
 UL E152210

General

Product Family Industrial Receptacles
 Series [130013](#)
 IP Rating IP67
 NEMA Rating NEMA 6
 Overview [Brad Mini-Change Connectors](#)
 Product Name Mini-Change
 Type Single Ended (pigtail)
 UPC 78678843898

Physical

Coupling Type External Thread
 Gender Female
 Keyway Single
 Length 0.305m
 Material - Component Gray Anodized Aluminum
 Mounting Thread Size N/A
 Orientation Straight
 Panel Mount Front
 Poles 3
 Temperature Range - Operating -20°C to +105°C
 Wire Size AWG 16
 Wire/Cable Type E152210

Electrical

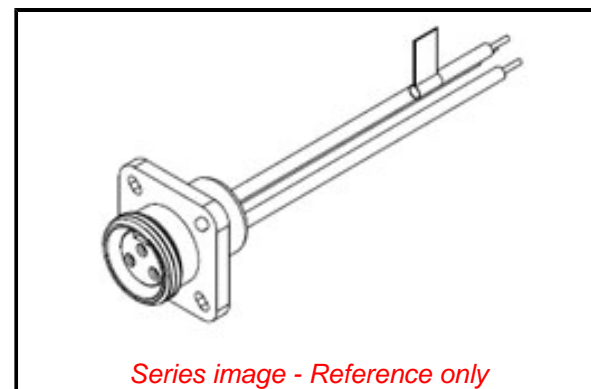
Current - Maximum per Contact 13.0A
 Voltage - Maximum 600V AC/DC

Material Info

Engineering Number 1R3G04A20A120

Reference - Drawing Numbers

Sales Drawing SD-130013-016



Series image - Reference only

EU ELV

Not Reviewed

EU RoHS

Not Reviewed

REACH SVHC

Not Reviewed

Halogen-Free

Status

Not Reviewed

For more information, please visit [Contact US](#)

China ROHS Not Reviewed

ELV Not Reviewed

RoHS Phthalates Not Reviewed

Search Parts in this Series

[130013 Series](#)