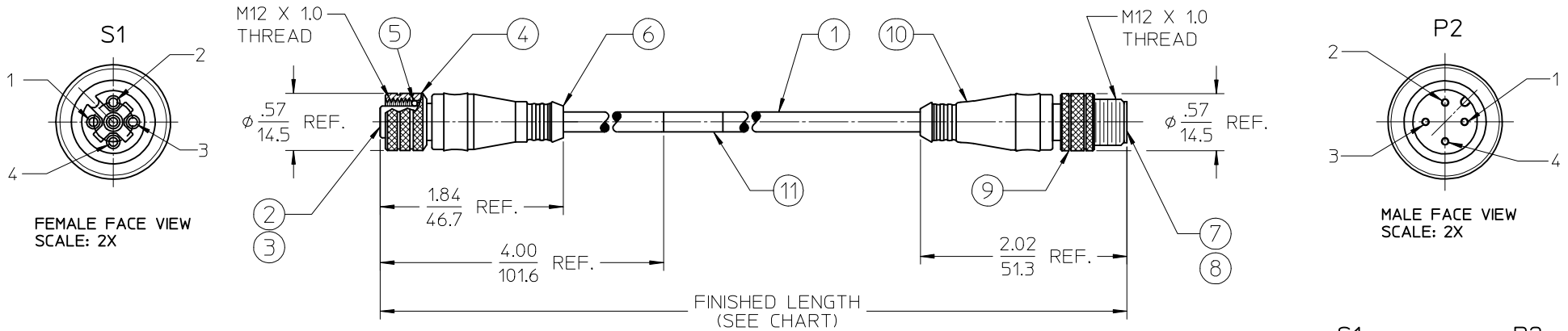


10	9	8	7
MATERIAL NO.	ENGINEERING NO.	FINISHED LENGTH	
1200661913	884030A14M010A	3' 4" +2.19-0 (1M +55.6mm-0)	
1200661914	884030A14M020A	6' 7" +3.50-0 (2M +88.9mm-0)	
1200661915	884030A14M030A	9' 10" +3.50-0 (3M +88.9mm-0)	
1200661916	884030A14M040A	13' 1" +6.50-0 (4M +165.1mm-0)	
1200661910	884030A14M050A	16' 5" +6.50-0 (5M +165.1mm-0)	
1200661917	884030A14M060A	19' 8" +6.50-0 (6M +165.1mm-0)	
1200661918	884030A14M080A	26' 3" +12.50-0 (8M +317.5mm-0)	
1200661911	884030A14M100A	32' 10" +12.50-0 (10M +317.5mm-0)	

CUSTOMER PRODUCTION APPROVAL  
 APPROVED BY:-----  
 DATE:-----  
 MUST BE SIGNED AND RETURNED BEFORE  
 PRODUCTION WILL BEGIN.

RESTRICTED SALES DRAWING



- NOTES:  
 1. MATERIAL: SEE TABLE  
 2. FINISHES: SEE TABLE  
 3. ELECTRICAL SPECIFICATIONS  
 VOLTAGE RATING: 250V AC/DC  
 CURRENT RATING: 4 AMPS  
 4. PROTECTION: IP67  
 5. ASSEMBLY IS RoHS COMPLIANT  
 BY EXEMPTION

S1	P2
1 BROWN	1
2 WHITE	2
3 BLUE	3
4 BLACK	4

WIRING DIAGRAM

ITEM	QTY.	DESCRIPTION	MATERIAL	FINISH
11	1	WRAP LABEL	VINYL	BLACK/YELLOW
10	1	OVERMOLD-MALE	PVC	GRAY
9	1	COUPLING, MALE THREAD	BRASS	NICKEL PLATED
8	4	CONTACT PIN	Cu ALLOY	GOLD PLATED
7	1	INSERT, 4P, MALE	PUR	BLACK
6	1	OVERMOLD-FEMALE	PVC	GRAY
5	1	O-RING	VITON	RED
4	1	COUPLING, FEMALE THREAD	BRASS	NICKEL PLATED
3	4	CONTACT SOCKET	Cu ALLOY	GOLD PLATED
2	1	INSERT, 4P FEMALE	PUR	BLACK
1	1	CABLE, 22-4, 300V, 105°C, PLTC	PVC JACKET	GRAY

RELEASED AS SD DOC  
 WAS RSD-120066-012  
 EC NO: IPGZ015-1245  
 DRWNRSTONE 2013/02/13  
 CHKDK JOZWIK 2013/02/27  
 APPR: JFMURPHY 2013/06/21

QUALITY SYMBOLS  
 ▼=0  
 ▽=0

	GENERAL TOLERANCES (UNLESS SPECIFIED)	
	mm	INCH
4 PLACES	± .01	± .0005
3 PLACES	± .01	± .0005
2 PLACES	± .01	± .0005
1 PLACE	± 0.3	± .0125
0 PLACE	± .01	± .0005

ANGULAR ± 2 °

DRAFT WHERE APPLICABLE MUST REMAIN WITHIN DIMENSIONS

DIMENSION STYLE	
IN/MM	
DRAWN BY	DATE
RSTONE	2013/02/13
CHECKED BY	DATE
K JOZWIK	2013/02/27
APPROVED BY	DATE
JFMURPHY	2013/06/21

SCALE 2:1  
 DESIGN UNITS INCH  
 THIRD ANGLE PROJECTION  
 MIC EXT CORD, M/F  
 4 POLE , 22/4 PLTC  
**molex**  
 MATERIAL NO. SEE CHART  
 DOCUMENT NO. SD-120066-051  
 SHEET NO. 1 OF 1