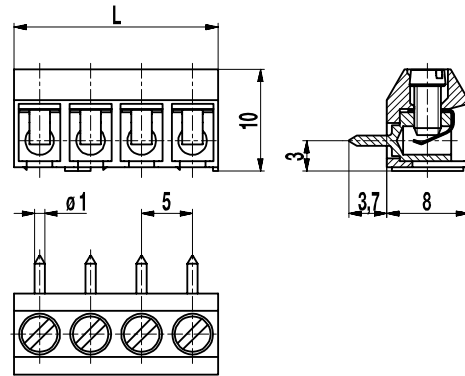
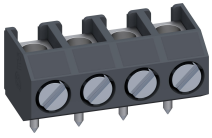


# 951(-DS)

PCB connector

Screw connection, wire entrance vertical to PCB



## GENERAL INFORMATION

Pitch	5 mm
No. of poles	2 - 32

## TECHNICAL DATA

Clamping Range	<i>solid / stranded / AWG</i>		
<i>without wire protector</i>	0,75 - 4 mm <sup>2</sup> / 0,75 - 2,5 mm <sup>2</sup> / 18 - 12 AWG		
<i>with wire protector</i>	0,34 - 2,5 mm <sup>2</sup> / 0,34 - 2,5 mm <sup>2</sup> / 22 - 14 AWG		
Rated Cross Section	1,5 mm <sup>2</sup>		
Wire Stripping Length	5 mm ± 0,5 mm		
Overvoltage Category	III	III	II
Pollution Severity Level	3	2	2
Rated Voltage	160 V (125 V)	160 V	320 V (250 V)
Rated Impulse Voltage	2,5 kV	2,5 kV	2,5 kV
Rated Current	17,5 A		
Hole in PCB	ø 1,3 mm		
Torque	0,4 Nm		
Other specifications	Voltage data in brackets are valid for 9-32 poles types. 2-8 poles types are "no-flame" acc. to glow-wire test.		

## APPROVALS

	Current [A]	Voltage [V]	Group	AWG	[Nm]
	15	300	B	26 - 14	0,4
	15	300	B	26 - 14	0,4

## CONFIGURATIONS

Poles	Item	Article number	Item	Article number	Length (L)	Packaging	PU
2	951/02	10.871.012	951-DS/02	20.871.012	10,00 mm	Box	250
3	951/03	10.871.083	951-DS/03	20.871.083	15,00 mm	Box	250
4	951/04	10.871.084	951-DS/04	20.871.084	20,00 mm	Box	200
5	951/05	10.871.085	951-DS/05	20.871.085	25,00 mm	Box	100
6	951/06	10.871.086	951-DS/06	20.871.086	30,00 mm	Box	100
7	951/07	10.871.022	951-DS/07	20.871.022	35,00 mm	Box	100
8	951/08	10.871.018	951-DS/08	20.871.018	40,00 mm	Box	100
9	951/09	10.871.019	951-DS/09	20.871.019	45,00 mm	Box	100
10	951/10	10.871.020	951-DS/10	20.871.020	50,00 mm	Box	100
11	951/11	10.871.021	951-DS/11	20.871.021	55,00 mm	Box	100
12	951/12	10.871.082	951-DS/12	20.871.082	60,00 mm	Box	100

further number of poles on request

## MATERIAL

Moulding	PA, grey, V-0
Comparative Tracking Index	2-8 poles: CTI ≥ 600; 9-32 poles: CTI 400
Insulating Group	2-8 poles: I; 9-32 poles: II
Temperature Range	-40°C up to 100°C
Terminal body	Tin plated brass
Screw	M2,6; zinc plated steel, blue passivated
Solder pin	ø 1 mm; tin plated brass
Wire protector	Tin plated tin bronze

## OPTIONS / ACCESSORIES

- Marking according to customer requirement
- Self-adhesive marking strip BST-5,00

