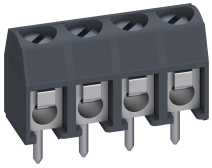


940(-DS)

PCB connector
Screw connection



GENERAL INFORMATION

Pitch	5,08 mm
No. of poles	2 - 32

TECHNICAL DATA

Clamping Range	<i>solid / stranded / AWG</i>		
<i>without wire protector</i>	0,75 - 4 mm ² / 0,75 - 2,5 mm ² / 18 - 12 AWG		
<i>with wire protector</i>	0,34 - 2,5 mm ² / 0,34 - 2,5 mm ² / 22 - 14 AWG		
Rated Cross Section	1,5 mm ²		
Wire Stripping Length	6 mm ± 0,5 mm		
Overvoltage Category	III	III	II
Pollution Severity Level	3	2	2
Rated Voltage	250 V (200 V)	320 V	630 V (400 V)
Rated Impulse Voltage	4 kV	4 kV	4 kV
Rated Insulation Voltage	250 V acc. to EN 60998-1		
Rated Current	17,5 A		
Hole in PCB	ø 1,3 mm		
Torque	0,4 Nm		
Other specifications	Voltage data in brackets are valid for 9-32 poles types. 2-8 poles types: "no-flame" acc. to glow-wire test.		

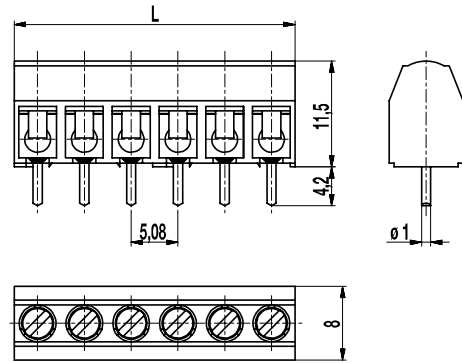
APPROVALS

	Current [A]	Voltage [V]	Group	AWG	[Nm]
	15	300	B	26 - 14	0,4
	15	300	B	26 - 14	0,4

CONFIGURATIONS

Poles	Item	Article number	Item	Article number	Length (L)	Packaging	PU
2	940/02	10.877.002	940-DS/02	20.877.002	10,16 mm	Box	250
3	940/03	10.877.003	940-DS/03	20.877.003	15,24 mm	Box	250
4	940/04	10.877.004	940-DS/04	20.877.004	20,32 mm	Box	200
5	940/05	10.877.005	940-DS/05	20.877.005	25,40 mm	Box	100
6	940/06	10.877.006	940-DS/06	20.877.006	30,48 mm	Box	100
7	940/07	10.877.007	940-DS/07	20.877.007	35,56 mm	Box	100
8	940/08	10.877.008	940-DS/08	20.877.008	40,64 mm	Box	100
9	940/09	10.877.009	940-DS/09	20.877.009	45,72 mm	Box	100
10	940/10	10.877.010	940-DS/10	20.877.010	50,80 mm	Box	100
11	940/11	10.877.011	940-DS/11	20.877.011	55,88 mm	Box	100
12	940/12	10.877.012	940-DS/12	20.877.012	60,96 mm	Box	100

further number of poles on request



MATERIAL

Moulding	PA, grey, V-0
Comparative Tracking Index	2-8 poles: CTI ≥ 600; 9-32 poles: CTI 400
Insulating Group	2-8 poles: I; 9-32 poles: II
Temperature Range	-40°C up to 100°C
Terminal body	Tin plated brass
Screw	M2,6; zinc plated steel, blue passivated
Solder pin	ø 1 mm; tin plated copper alloy
Wire protector	Tin plated tin bronze

OPTIONS / ACCESSORIES

- Marking according to customer requirement
- Self-adhesive marking strip BST-5,08
- Longer solder pins up to 75 mm

