

Klippon® TB – Stainless Steel Enclosures

NEW



The new Weidmüller Klippon® TB enclosure is specifically designed for use within harsh environment conditions such as those experienced in many process industries, typically including Oil, Gas and Petrochemical.

The enclosures are approved according to the latest international standards including ATEX and IEC Ex.

The advantages of these enclosures are:

- High temperature silicon gasket fitted as standard (improved temperature range -60 °C to +140 °C)
- Maximised glanding area for cable entries
- Captive hinge facility
- Improved drainage facility providing an effective water path and assists in the overall ingress protection (IP66 / IP67)
- Increased flexibility terminal mounting
- Internal/External Earth Studs are equipped with a sealing mechanism and are keyed to prevent rotation
- Label holder
- Integrated locking clasp for enhanced on site security

United Kingdom

Weidmüller Ltd.
1 Abbey Wood Road
Kings Hill
West Malling
Kent ME19 4YT
Phone +44 1732 877000
Fax +44 1732 873873
info@weidmuller.co.uk
www.weidmueller.com

USA

W-Interconnections, Inc.
821 Southlake Boulevard,
Richmond, VA 23236
Phone +1 804 7942877
Fax +1 804 3792593
info@weidmuller.com
www.weidmuller.com

Other countries

Weidmüller Interface GmbH & Co. KG
P.O. Box 3030
32720 Detmold
Phone +49 5231 14-0
Fax +49 5231 14-20 83
info@weidmueller.com
www.weidmueller.com

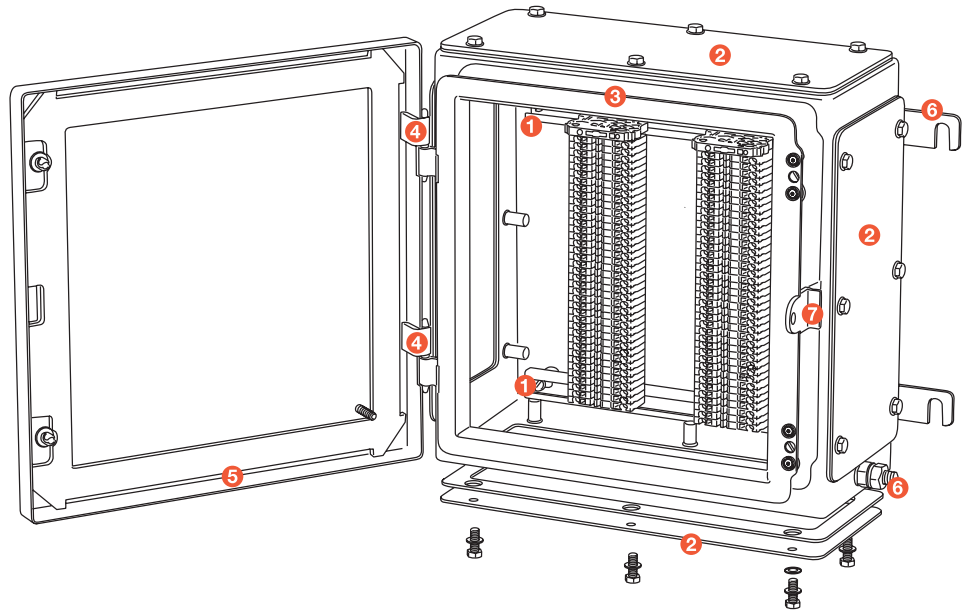
Improved product features – to meet your demands

1 Flexible internal mounting options

- Increased diameter of mounting stud means improved stability for terminal rail assemblies and other equipment
- Mounting positions have been optimised to provide the maximum possible internal working area

2 Gland plate options and enhancements

- Providing as standard 1, 2, 3 and 4 gland plates options (optional version without gland plate is also available)
- Maximised glanding area for cable entries as a result of increased enclosure aperture sizes



3 Improved drainage facility

- Lip on the upstand increases gasket contact and improves the seal surface area, thus ensuring a high IP66/67 protection rating of the enclosure
- Provides an effective drainage path without relying on the seal to perform this function

4 Unique captive hinge facility

- Captive hinge pins offer simple handling, easy access and protection against any accidental removal of the lid.
- Retained door will open upto 180 degrees to enable easy access for equipment installation and maintainance

5 High temperature gasket

- A high temperature silicon gasket offered as standard (–60 °C to +140 °C)
- Gasket compression is controlled

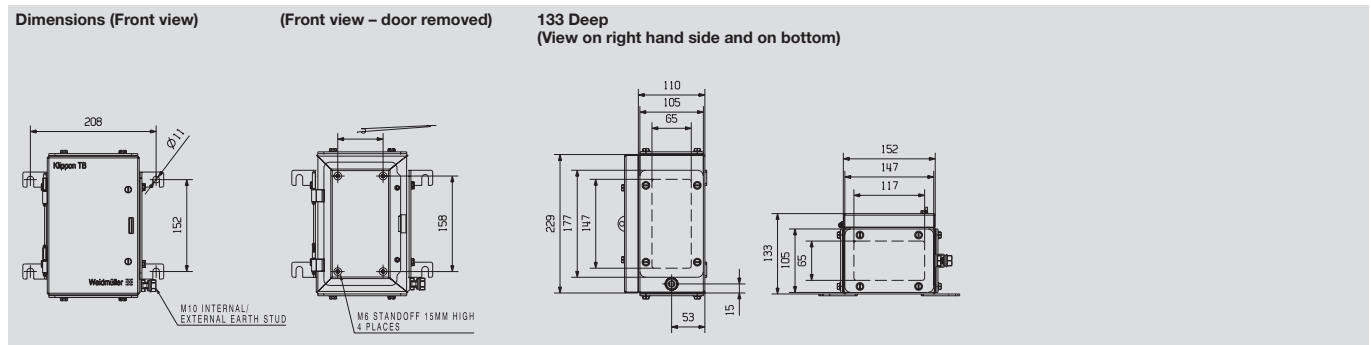
6 Mounting feet and earth stud

- Flexible mounting: 4 x mounting feet with 11mm slots
- Self locking internal/external M10, field replaceable earth stud

7 Padlock Facility

- An integrated locking clasp is fitted as standard allowing a padlock to be fitted for enhanced onsite security
- Padlocks are available as an optional accessory

Klippon® TB10 Bolt 133 Deep



Height x Width x Depth	mm	229 x 152 x 133
Weight	g	1GP-3.5kg, 2GP-3.75kg, 3GP-4.25kg, 4GP-4.5kg

Technical data

Enclosure Material:	Stainless Steel 1.4404(316L) 1.50mm	ATEX Certification:	Baseefa 06ATEX0010U (Component)
Gland Plate Material:	Stainless Steel 1.4404(316L) 3.00mm*	ATEX Certification:	Baseefa 06ATEX0011X EEEx E, EEEx ia and EEEx [ia]***
Ingress Protection:	IP66 & IP67	ATEX Marking:	TII 2GD Ex e II Ex tD A21
Earthing:	Body-Internal/External M10 Brass / Door - M6 x 25 S/Steel	IEC Certification:	IECEX BAS 06.0004X (assembled) IECEX BAS 06.0003U (component)
Internal Mounting:	4 Mounting Pillars with M6 threaded hole	IEC Marking:	Exe II Ex tD A21 IP66 & IP67
External Mounting:	4 External lugs with 11mm slots- see note a foot of page	Pending Certification:	UL,CSA, NEMA, GOST K and R
Lid Opening:	Fully detachable lid(Self Retaining)with 2 x 8mm M5 Bolts	Gasket Material:	Silicon -60 °C to +140 °C
Impact Resistance:	10 J	Gasket compression control in accordance with manufacturers recommendation	

Ordering Data Enclosures

Stainless Sheet Steel 1.4404 316L

1 Gland Plate – Positioned on bottom (B)
2 Gland Plate – Positioned on top & bottom (A&B)
3 Gland Plate – Positioned on bottom, left & right (B,C&D)
4 Gland Plate – Positioned on top, bottom, left & right (A,B,C&D)

Max Number of Cable Entries Per Enclosure Side**

M 12
M 16
M 20
M 25
M 32
M 40
M 50
M 63

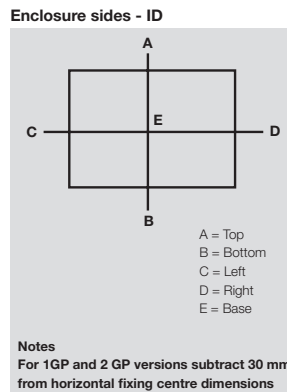


Bolt Fastener Versions

Part Number 133 Deep
0929000000
0929010000
0929020000
0929030000

133 Deep Versions

A/B	C/D
12	17
8	10
3	3
2	3
2	2
1	2
0	0
0	0



Max Number of Terminals – INDUSTRIAL

WDU 2.5	ZDU 2.5	SAK 2.5
WDU 4	ZDU 4	SAK 4
WDU 6	ZDU 6	SAK 6
WDU 10	ZDU 10	SAK 10
WDU 16	ZDU 16	SAK 16
WDU 35	ZDU 35	SAK 35
WDU 50N		

133 Deep Versions

W series H	W series V	Z series H	Z series V	SAK series H	SAK series V
1 x 9	1x 25	1 x 9	1x 25	2 x 8	1 x 22
1 x 8	1 x 21	1 x 8	1 x 22	3 x 7	1 x 20
1 x 6	1 x 16	1 x 6	1 x 16	3 x 6	1 x 16
1 x 4	1 x 13	1 x 4	1 x 13	3 x 4	1 x 13
1 x 4	1 x 11	1 x 4	1 x 11	2 x 4	1 x 11
1 x 3	1 x 8	1 x 3	1 x 8	1 x 2	1 x 7

Ordering Data Accessories

Sheet Steel Mounting Plate 1.5mm Painted RAL7032
Mounting Plate Sheet Steel painted RAL7032

Stainless Sheet Steel Mounting Plate 1.4404 316L
Mounting Plate Sheet Steel 316L

Stainless Steel Label Holder
Lid Label Holder S/S

Padlock with key
Stainless Steel Padlock with 2 Keys (1 key fits all)

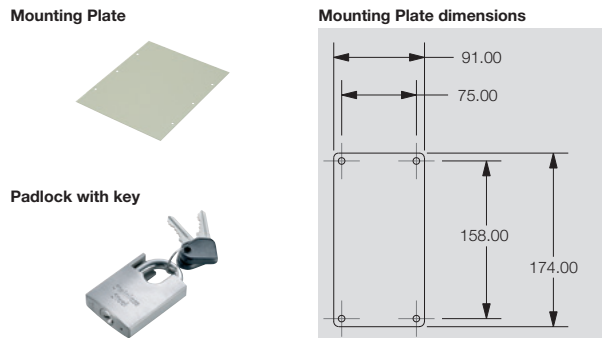
Internal mounting spacers

10mm Long
15mm Long
20mm Long
30mm Long



Part Number

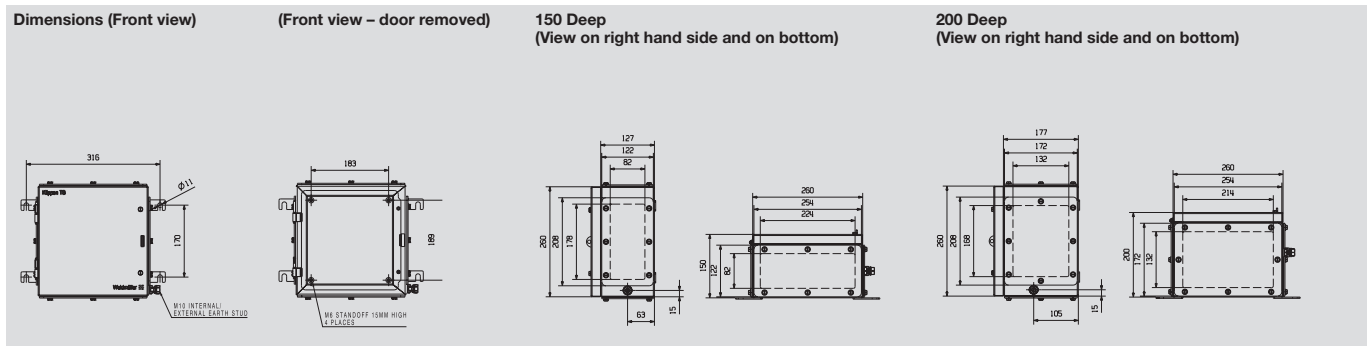
0908480000
0908470000
0908760000
0905680000
0935110000
0935120000
0935130000
0935140000



Comments

* 6mm Gland Plate available on request
 ** Cable entries based on Weidmullers standard IP68 cable glands
 *** For specific hazardous area requirements please contact Weidmuller for a copy of the full certificate
 General – 316L Stainless Steel enclosures are Electropolished for high performance under severe weather conditions

Klippon® TB10A Bolt 150 & 200 Deep



Height x Width x Depth	mm	150 Deep = 260 x 260 x 150	200 Deep = 260 x 260 x 200
Weight	g	150 Deep = 1GP-5.25kg, 2GP-6.0kg, 3GP-6.25kg, 4GP-7.0kg	200 Deep = 1GP-6.0kg, 2GP-7.0kg, 3GP-7.5kg, 4GP-8.25kg

Technical data

Enclosure Material:	Stainless Steel 1.4404(316L) 1.50mm	ATEX Certification:	Baseefa 06ATEX0010U (Component)
Gland Plate Material:	Stainless Steel 1.4404(316L) 3.00mm*	ATEX Certification:	Baseefa 06ATEX0011X EEx E, EEx ia and EEx [ia]***
Ingress Protection:	IP66 & IP67	ATEX Marking:	TII 2GD Ex e II Ex tD A21
Earthing:	Body-Internal/External M10 Brass / Door - M6 x 25 S/Steel	IEC Certification:	IECEX BAS 06.0004X (assembled) IECEX BAS 06.0003U (component)
Internal Mounting:	4 Mounting Pillars with M6 threaded hole	IEC Marking:	Exe II Ex tD A21 IP66 & IP67
External Mounting:	4 External lugs with 11mm slots- see note a foot of page	Pending Certification:	UL,CSA, NEMA, GOST K and R
Lid Opening:	Fully detachable lid(Self Retaining)with 2 x M5 A4 Hex Head Bolts	Gasket Material:	Silicon -60 °C to +140 °C
Impact Resistance:	10 J	Gasket compression control in accordance with manufacturers recommendation	

Ordering Data Enclosures

Stainless Sheet Steel 1.4404 316L

- 1 Gland Plate – Positioned on bottom (B)
- 2 Gland Plate – Positioned on top & bottom (A&B)
- 3 Gland Plate – Positioned on bottom, left & right (B,C&D)
- 4 Gland Plate – Positioned on top, bottom, left & right (A,B,C&D)

Max Number of Cable Entries Per Enclosure Side**

M 12	
M 16	
M 20	
M 25	
M 32	
M 40	
M 50	
M 63	



Bolt Fastener Versions

Part Number 150 Deep		Part Number 200 Deep	
	0929040000		0929080000
	0929050000		0929090000
	0929060000		0929100000
	0929070000		0929110000

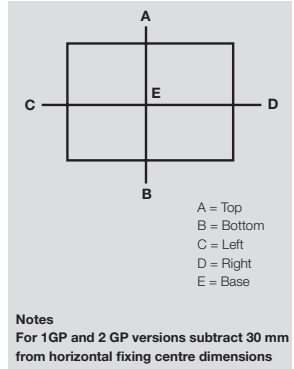
150 Deep Versions

A/B	C/D
27	21
21	17
10	8
9	7
4	3
3	2
2	2
0	0

200 Deep Versions

A/B	C/D
51	39
40	30
15	12
14	11
8	6
6	4
2	2
2	1

Enclosure sides - ID



150 and 200 Deep Versions

Max Number of Terminals – INDUSTRIAL			W series H		W series V		Z series H		Z series V		SAK series H		SAK series V	
WDU 2.5	ZDU 2.5	SAK 2.5	2 x 30	2 x 31	2 x 30	2 x 31	2 x 30	2 x 31	2 x 26	2 x 27	2 x 26	2 x 27	2 x 26	2 x 27
WDU 4	ZDU 4	SAK 4	2 x 25	2 x 26	2 x 26	2 x 27	2 x 26	2 x 27	2 x 24	2 x 25	2 x 24	2 x 25	2 x 24	2 x 25
WDU 6	ZDU 6	SAK 6	2 x 19	2 x 20	2 x 19	2 x 20	2 x 19	2 x 20	2 x 19	2 x 20	2 x 19	2 x 20	2 x 19	2 x 20
WDU 10	ZDU 10	SAK 10	2 x 15	2 x 16	2 x 15	2 x 16	2 x 15	2 x 16	2 x 15	2 x 16	2 x 15	2 x 16	2 x 15	2 x 16
WDU 16	ZDU 16	SAK 16	2 x 13	2 x 13	2 x 13	2 x 13	2 x 13	2 x 13	2 x 13	2 x 13	2 x 13	2 x 13	2 x 13	2 x 13
WDU 35	ZDU 35	SAK 35	2 x 9	2 x 10	2 x 9	2 x 10	2 x 9	2 x 10	2 x 8	2 x 9	2 x 8	2 x 9	2 x 8	2 x 9
WDU 50N			2 x 8	2 x 8										

Ordering Data Accessories

Sheet Steel Mounting Plate 1.5mm Painted RAL7032
Mounting Plate Sheet Steel painted RAL7032

Stainless Sheet Steel Mounting Plate 1.4404 316L
Mounting Plate Sheet Steel 316L

Stainless Steel Label Holder
Lid Label Holder S/S

Padlock with key
Stainless Steel Padlock with 2 Keys (1 key fits all)

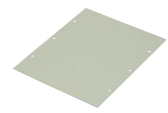
Internal mounting spacers

10mm Long
15mm Long
20mm Long
30mm Long



Part Number
0908500000
0908490000
0908760000
0905680000
0935110000
0935120000
0935130000
0935140000

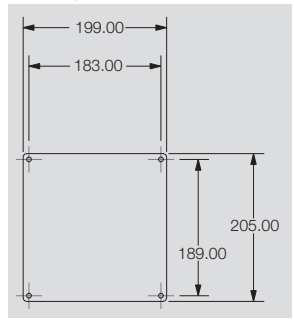
Mounting Plate



Padlock with key



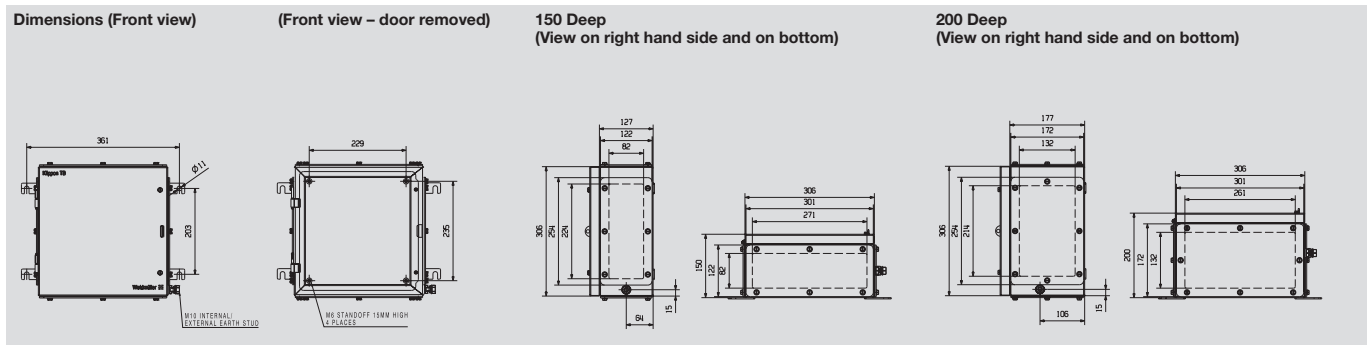
Mounting Plate dimensions



Comments

* 6mm Gland Plate available on request
 ** Cable entries based on Weidmullers standard IP68 cable glands
 *** For specific hazardous area requirements please contact Weidmuller for a copy of the full certificate
 General – 316L Stainless Steel enclosures are Electropolished for high performance under severe weather conditions

Klippon® TB11 Bolt 150 & 200 Deep



Height x Width x Depth	mm	150 Deep = 306 x 306 x 150	200 Deep = 306 x 306 x 200
Weight	g	150 Deep = 1GP-6.5kg, 2GP-7.25kg, 3GP-7.75kg, 4GP-8.5kg	200 Deep = 1GP-7.5kg, 2GP-8.5kg, 3GP-9.0kg, 4GP-10.0kg

Technical data

Enclosure Material:	Stainless Steel 1.4404(316L) 1.50mm	ATEX Certification:	Baseefa 06ATEX0010U (Component)
Gland Plate Material:	Stainless Steel 1.4404(316L) 3.00mm*	ATEX Certification:	Baseefa 06ATEX0011X EEx E, EEx ia and EEx [ia]***
Ingress Protection:	IP66 & IP67	ATEX Marking:	TII 2GD Ex e II Ex tD A21
Earthing:	Body-Internal/External M10 Brass / Door - M6 x 25 S/Steel	IEC Certification:	IECEX BAS 06.0004X (assembled) IECEX BAS 06.0003U (component)
Internal Mounting:	4 Mounting Pillars with M6 threaded hole	IEC Marking:	Exe II Ex tD A21 IP66 & IP67
External Mounting:	4 External lugs with 11mm slots- see note a foot of page	Pending Certification:	UL,CSA, NEMA, GOST K and R
Lid Opening:	Fully detachable lid(Self Retaining)with 2 x M5 A4 Hex Head Bolts	Gasket Material:	Silicon -60 °C to +140 °C
Impact Resistance:	10 J	Gasket compression control in accordance with manufacturers recommendation	


Ordering Data Enclosures

Stainless Sheet Steel 1.4404 316L

- 1 Gland Plate – Positioned on bottom (B)
- 2 Gland Plate – Positioned on top & bottom (A&B)
- 3 Gland Plate – Positioned on bottom, left & right (B,C&D)
- 4 Gland Plate – Positioned on top, bottom, left & right (A,B,C&D)

Max Number of Cable Entries Per Enclosure Side**

M 12	
M 16	
M 20	
M 25	
M 32	
M 40	
M 50	
M 63	



Bolt Fastener Versions

Part Number 150 Deep	Part Number 200 Deep
0929120000	0929160000
0929130000	0929170000
0929140000	0929180000
0929150000	0929190000

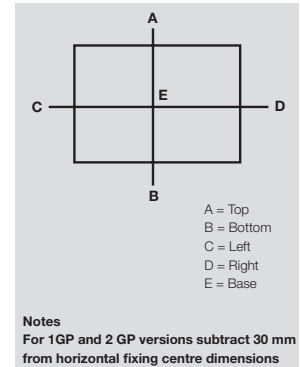
150 Deep Versions

A/B	C/D
30	27
26	21
14	10
11	9
4	4
4	3
3	2
0	0

200 Deep Versions

A/B	C/D
60	51
43	34
21	15
18	15
8	8
8	6
3	2
2	2

Enclosure sides - ID



150 and 200 Deep Versions

Max Number of Terminals – INDUSTRIAL			W series H	W series V	Z series H	Z series V	SAK series H	SAK series V
WDU 2.5	ZDU 2.5	SAK 2.5	2 x 39	2 x 40	2 x 39	2 x 40	3 x 33	3 x 34
WDU 4	ZDU 4	SAK 4	2 x 33	2 x 34	2 x 33	2 x 34	3 x 31	3 x 32
WDU 6	ZDU 6	SAK 6	2 x 25	2 x 26	2 x 25	2 x 26	3 x 25	3 x 26
WDU 10	ZDU 10	SAK 10	2 x 20	2 x 21	2 x 20	2 x 21	3 x 20	3 x 20
WDU 16	ZDU 16	SAK 16	2 x 17	2 x 17	2 x 16	2 x 17	2 x 16	2 x 17
WDU 35	ZDU 35	SAK 35	2 x 12	2 x 13	2 x 12	2 x 13	2 x 11	2 x 11
WDU 50N			2 x 10	2 x 11				

Ordering Data Accessories

Sheet Steel Mounting Plate 1.5mm Painted RAL7032
Mounting Plate Sheet Steel painted RAL7032


Stainless Sheet Steel Mounting Plate 1.4404 316L
Mounting Plate Sheet Steel 316L

Stainless Steel Label Holder
Lid Label Holder S/S

Padlock with key
Stainless Steel Padlock with 2 Keys (1 key fits all)

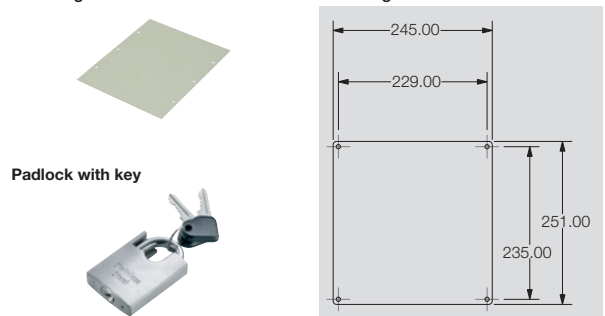
Internal mounting spacers

10mm Long	
15mm Long	
20mm Long	
30mm Long	



Part Number
0908520000
0908510000
0908760000
0905680000
0935110000
0935120000
0935130000
0935140000

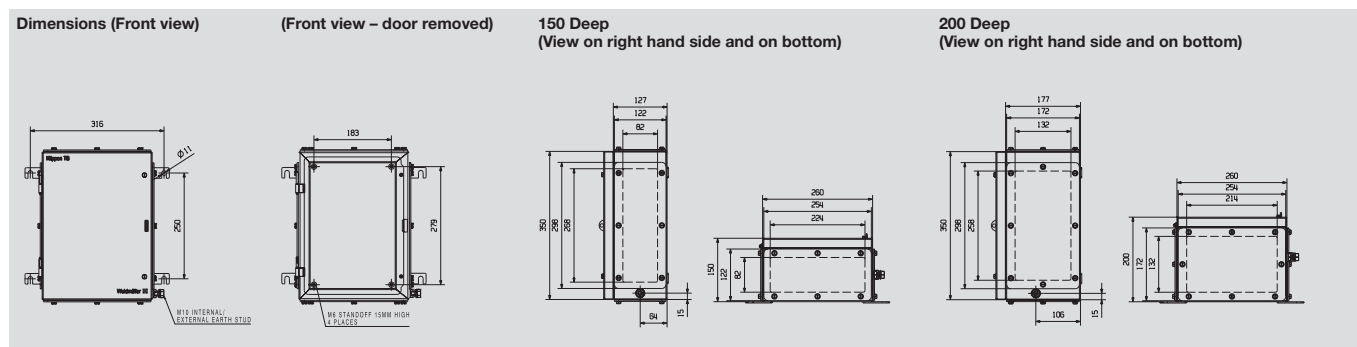
Mounting Plate



Comments

* 6mm Gland Plate available on request
** Cable entries based on Weidmullers standard IP68 cable glands
*** For specific hazardous area requirements please contact Weidmuller for a copy of the full certificate
General – 316L Stainless Steel enclosures are Electropolished for high performance under severe weather conditions

Klippon® TB11A Bolt 150 & 200 Deep



Height x Width x Depth	mm	150 Deep = 350 x 260 x 150	200 Deep = 350 x 260 x 200
Weight	g	150 Deep = 1GP-6.25kg, 2GP-6.75kg, 3GP-7.75kg, 4GP-8.25kg	200 Deep = 1GP-7.25kg, 2GP-7.75kg, 3GP-9.0kg, 4GP-9.75kg

Technical data

Enclosure Material:	Stainless Steel 1.4404(316L) 1.50mm	ATEX Certification:	Baseefa 06ATEX0010U (Component)
Gland Plate Material:	Stainless Steel 1.4404(316L) 3.00mm*	ATEX Certification:	Baseefa 06ATEX0011X EEx E, EEx ia and EEx [ia]***
Ingress Protection:	IP66 & IP67	ATEX Marking:	TII 2GD Ex e II Ex tD A21
Earthing:	Body-Internal/External M10 Brass / Door - M6 x 25 S/Steel	IEC Certification:	IECEX BAS 06.0004X (assembled) IECEX BAS 06.0003U (component)
Internal Mounting:	4 Mounting Pillars with M6 threaded hole	IEC Marking:	Exe II Ex tD A21 IP66 & IP67
External Mounting:	4 External lugs with 11mm slots- see note a foot of page	Pending Certification:	UL,CSA, NEMA, GOST K and R
Lid Opening:	Fully detachable lid(Self Retaining)with 2 x M5 A4 Hex Head Bolts	Gasket Material:	Silicon -60 °C to +140 °C
Impact Resistance:	10 J	Gasket compression control in accordance with manufacturers recommendation	

Ordering Data Enclosures

Stainless Sheet Steel 1.4404 316L

- Gland Plate – Positioned on bottom (B)
- Gland Plate – Positioned on top & bottom (A&B)
- Gland Plate – Positioned on bottom, left & right (B,C&D)
- Gland Plate – Positioned on top, bottom, left & right (A,B,C&D)

Max Number of Cable Entries Per Enclosure Side**

M 12
M 16
M 20
M 25
M 32
M 40
M 50
M 63



Bolt Fastener Versions

Part Number 150 Deep	Part Number 200 Deep
0929200000	0929240000
0929210000	0929250000
0929220000	0929260000
0929230000	0929270000

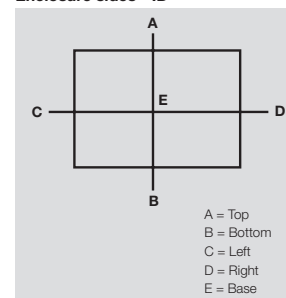
150 Deep Versions

A/B	C/D
27	30
21	26
10	12
9	11
4	4
3	4
2	3
0	0

200 Deep Versions

A/B	C/D
51	60
35	43
15	18
15	18
8	8
6	8
2	3
2	2

Enclosure sides - ID



Notes
For 1GP and 2 GP versions subtract 30 mm from horizontal fixing centre dimensions

150 and 200 Deep Versions

Max Number of Terminals – INDUSTRIAL			W series H	W series V	Z series H	Z series V	SAK series H	SAK series V
WDU 2.5	ZDU 2.5	SAK 2.5	3 x 30	2 x 49	3 x 30	2 x 49	4 x 26	2 x 42
WDU 4	ZDU 4	SAK 4	3 x 25	2 x 41	3 x 26	2 x 42	3 x 24	2 x 38
WDU 6	ZDU 6	SAK 6	3 x 19	2 x 32	3 x 19	2 x 31	3 x 19	2 x 31
WDU 10	ZDU 10	SAK 10	3 x 15	2 x 25	3 x 15	1 x 25	3 x 15	2 x 25
WDU 16	ZDU 16	SAK 16	3 x 13	2 x 21	3 x 13	1 x 21	3 x 13	2 x 21
WDU 35	ZDU 35	SAK 35	3 x 9	2 x 15	3 x 9	1 x 15	1 x 12	2 x 14
WDU 50N			2 x 8	2 x 13				

Ordering Data Accessories

Sheet Steel Mounting Plate 1.5mm Painted RAL7032
Mounting Plate Sheet Steel painted RAL7032

Stainless Sheet Steel Mounting Plate 1.4404 316L
Mounting Plate Sheet Steel 316L

Stainless Steel Label Holder
Lid Label Holder S/S

Padlock with key
Stainless Steel Padlock with 2 Keys (1 key fits all)

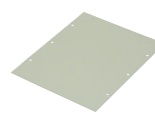
Internal mounting spacers

10mm Long
15mm Long
20mm Long
30mm Long



Part Number
0908540000
0908530000
0908760000
0905680000
0935110000
0935120000
0935130000
0935140000

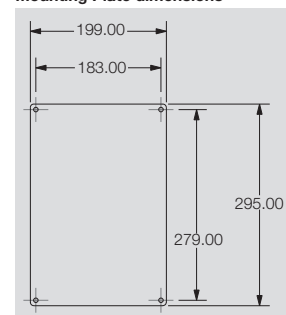
Mounting Plate



Padlock with key



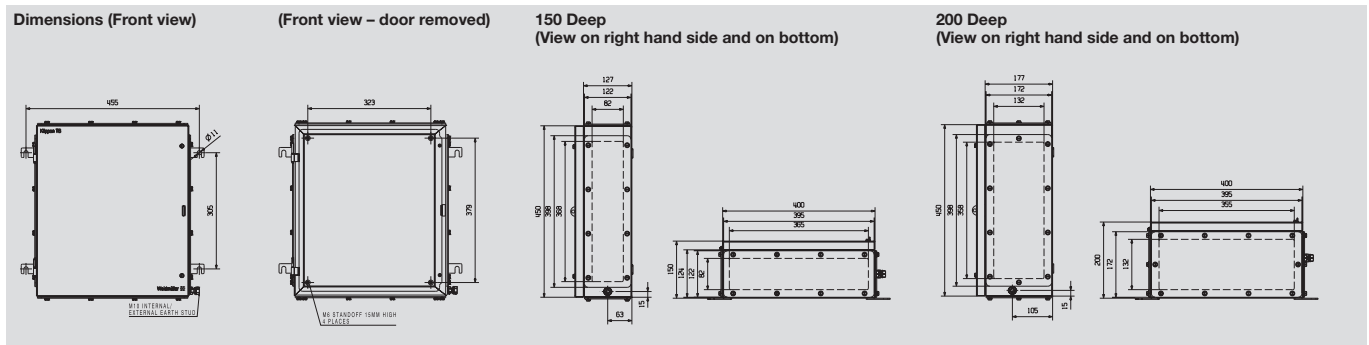
Mounting Plate dimensions



Comments

* 6mm Gland Plate available on request
 ** Cable entries based on Weidmullers standard IP68 cable glands
 *** For specific hazardous area requirements please contact Weidmuller for a copy of the full certificate
 General – 316L Stainless Steel enclosures are Electropolished for high performance under severe weather conditions

Klippon® TB11B Bolt 150 & 200 Deep



Height x Width x Depth	mm	150 Deep = 450 x 400 x 150	200 Deep = 450 x 400 x 150
Weight	g	150 Deep = 1GP-10.0kg, 2GP-10.75kg, 3GP-11.75kg, 4GP-12.75kg	200 Deep = 1GP-11.25kg, 2GP-12.25kg, 3GP-13.5kg, 4GP-14.75kg

Technical data

Enclosure Material:	Stainless Steel 1.4404(316L) 1.50mm	ATEX Certification:	Baseefa 06ATEX0010U (Component)
Gland Plate Material:	Stainless Steel 1.4404(316L) 3.00mm*	ATEX Certification:	Baseefa 06ATEX0011X EEx E, EEx ia and EEx [ia]***
Ingress Protection:	IP66 & IP67	ATEX Marking:	TII 2GD Ex e II Ex tD A21
Earthing:	Body-Internal/External M10 Brass / Door - M6 x 25 S/Steel	IEC Certification:	IECEX BAS 06.0004X (assembled) IECEX BAS 06.0003U (component)
Internal Mounting:	4 Mounting Pillars with M6 threaded hole	IEC Marking:	Exe II Ex tD A21 IP66 & IP67
External Mounting:	4 External lugs with 11mm slots- see note a foot of page	Pending Certification:	UL,CSA, NEMA, GOST K and R
Lid Opening:	Fully detachable lid(Self Retaining)with 2 x M5 A4 Hex Head Bolts	Gasket Material:	Silicon -60 °C to +140 °C
Impact Resistance:	10 J	Gasket compression control in accordance with manufacturers recommendation	

Ordering Data Enclosures

Stainless Sheet Steel 1.4404 316L

- Gland Plate – Positioned on bottom (B)
- Gland Plate – Positioned on top & bottom (A&B)
- Gland Plate – Positioned on bottom, left & right (B,C&D)
- Gland Plate – Positioned on top, bottom, left & right (A,B,C&D)

Max Number of Cable Entries Per Enclosure Side**

M 12
M 16
M 20
M 25
M 32
M 40
M 50
M 63



Bolt Fastener Versions

Part Number 150 Deep	Part Number 200 Deep
0929280000	0929320000
0929290000	0929330000
0929300000	0929340000
0929310000	0929350000

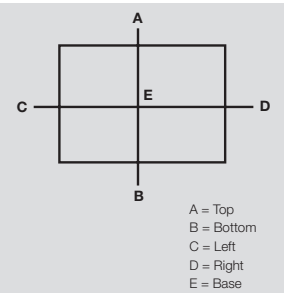
150 Deep Versions

A/B	C/D
42	42
35	35
18	18
15	15
6	6
5	5
4	4
0	0

200 Deep Versions

A/B	C/D
84	84
58	58
27	27
12	12
10	10
4	4
3	3
0	0

Enclosure sides - ID



Notes
For 1GP and 2 GP versions subtract 30 mm from horizontal fixing centre dimensions

150 and 200 Deep Versions

Max Number of Terminals – INDUSTRIAL			W series H	W series V	Z series H	Z series V	SAK series H	SAK series V
WDU 2.5	ZDU 2.5	SAK 2.5	4 x 58	3 x 69	4 x 58	3 x 69	5 x 49	4 x 58
WDU 4	ZDU 4	SAK 4	4 x 48	3 x 57	4 x 49	3 x 58	5 x 45	4 x 54
WDU 6	ZDU 6	SAK 6	4 x 37	3 x 44	4 x 37	3 x 44	5 x 37	4 x 44
WDU 10	ZDU 10	SAK 10	4 x 30	3 x 35	4 x 29	3 x 35	5 x 29	4 x 35
WDU 16	ZDU 16	SAK 16	4 x 24	3 x 29	4 x 24	3 x 29	4 x 24	4 x 29
WDU 35	ZDU 35	SAK 35	4 x 18	3 x 22	4 x 18	3 x 22	4 x 16	3 x 19
WDU 50N			3 x 16	3 x 19				

Ordering Data Accessories

Sheet Steel Mounting Plate 1.5mm Painted RAL7032
Mounting Plate Sheet Steel painted RAL7032

Stainless Sheet Steel Mounting Plate 1.4404 316L
Mounting Plate Sheet Steel 316L

Stainless Steel Label Holder
Lid Label Holder S/S

Padlock with key
Stainless Steel Padlock with 2 Keys (1 key fits all)

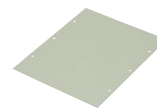
Internal mounting spacers

10mm Long
15mm Long
20mm Long
30mm Long



Part Number
0908560000
0908550000
0908760000
0905680000
0935110000
0935120000
0935130000
0935140000

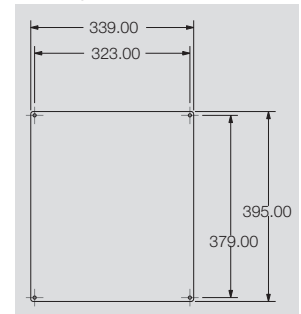
Mounting Plate



Padlock with key



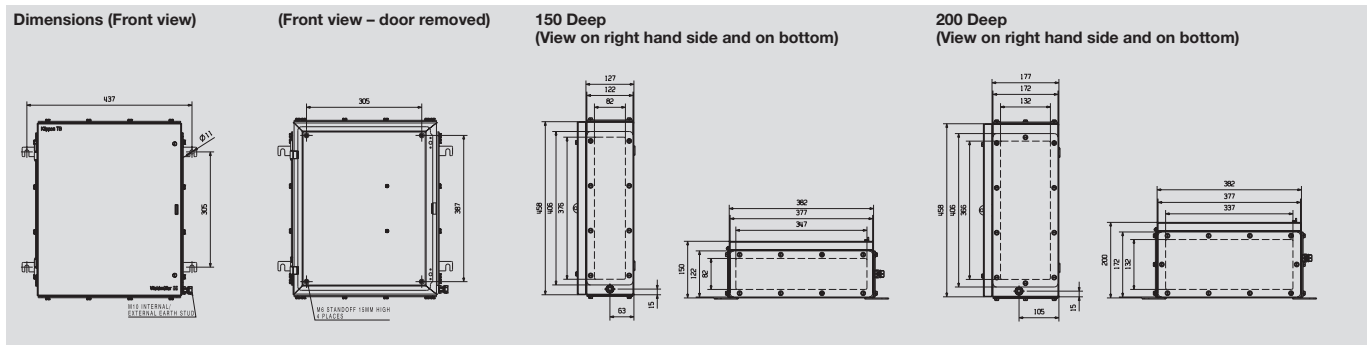
Mounting Plate dimensions



Comments

* 6mm Gland Plate available on request
 ** Cable entries based on Weidmullers standard IP68 cable glands
 *** For specific hazardous area requirements please contact Weidmuller for a copy of the full certificate
 General – 316L Stainless Steel enclosures are Electropolished for high performance under severe weather conditions

Klippon® TB12 Bolt 150 & 200 Deep



Height x Width x Depth	mm	150 Deep = 458 x 382 x 150	200 Deep = 458 x 382 x 200
Weight	g	150 Deep = 1GP-9.75kg, 2GP-10.5kg, 3GP-11.5kg, 4GP-12.5kg	200 Deep = 1GP-11.0kg, 2GP-12.0kg, 3GP-13.5kg, 4GP-14.5kg

Technical data

Enclosure Material:	Stainless Steel 1.4404(316L) 1.50mm	ATEX Certification:	Baseefa 06ATEX0010U (Component)
Gland Plate Material:	Stainless Steel 1.4404(316L) 3.00mm*	ATEX Certification:	Baseefa 06ATEX0011X EEx E, EEx ia and EEx [ia]***
Ingress Protection:	IP66 & IP67	ATEX Marking:	TII 2GD Ex e II Ex tD A21
Earthing:	Body-Internal/External M10 Brass / Door - M6 x 25 S/Steel	IEC Certification:	IECEX BAS 06.0004X (assembled) IECEX BAS 06.0003U (component)
Internal Mounting:	4 Mounting Pillars with M6 threaded hole	IEC Marking:	Exe II Ex tD A21 IP66 & IP67
External Mounting:	4 External lugs with 11mm slots- see note a foot of page	Pending Certification:	UL,CSA, NEMA, GOST K and R
Lid Opening:	Fully detachable lid(Self Retaining)with 2 x M5 A4 Hex Head Bolts	Gasket Material:	Silicon -60 °C to +140 °C
Impact Resistance:	10 J	Gasket compression control in accordance with manufacturers recommendation	

Ordering Data Enclosures

Stainless Sheet Steel 1.4404 316L

- 1 Gland Plate – Positioned on bottom (B)
- 2 Gland Plate – Positioned on top & bottom (A&B)
- 3 Gland Plate – Positioned on bottom, left & right (B,C&D)
- 4 Gland Plate – Positioned on top, bottom, left & right (A,B,C&D)

Max Number of Cable Entries Per Enclosure Side**

M 12
M 16
M 20
M 25
M 32
M 40
M 50
M 63



Bolt Fastener Versions

Part Number 150 Deep	Part Number 200 Deep
0904720000	0904800000
0904730000	0904810000
0904740000	0904820000
0904750000	0904830000

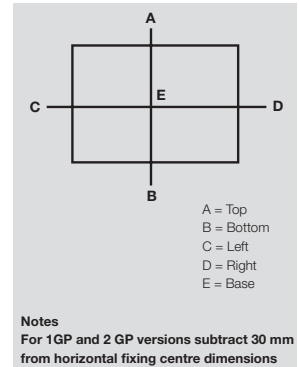
150 Deep Versions

A/B	C/D
42	45
33	36
16	18
13	15
6	6
5	5
4	4
0	0

200 Deep Versions

A/B	C/D
81	87
55	60
24	27
21	24
12	12
10	10
4	4
3	3

Enclosure sides - ID



150 and 200 Deep Versions

Max Number of Terminals – INDUSTRIAL			W series H	W series V	Z series H	Z series V	SAK series H	SAK series V
WDU 2.5	ZDU 2.5	SAK 2.5	4 x 54	3 x 70	4 x 54	3 x 70	5 x 46	4 x 60
WDU 4	ZDU 4	SAK 4	4 x 45	3 x 59	4 x 46	3 x 60	5 x 42	4 x 55
WDU 6	ZDU 6	SAK 6	4 x 35	3 x 45	4 x 34	3 x 45	5 x 34	4 x 45
WDU 10	ZDU 10	SAK 10	4 x 28	3 x 36	4 x 27	3 x 36	5 x 27	4 x 36
WDU 16	ZDU 16	SAK 16	4 x 23	3 x 30	4 x 23	3 x 30	4 x 23	3 x 30
WDU 35	ZDU 35	SAK 35	4 x 17	3 x 22	4 x 17	3 x 22	4 x 15	3 x 20
WDU 50N			3 x 15	3 x 19				

Ordering Data Accessories

Sheet Steel Mounting Plate 1.5mm Painted RAL7032
Mounting Plate Sheet Steel painted RAL7032

Stainless Sheet Steel Mounting Plate 1.4404 316L
Mounting Plate Sheet Steel 316L

Stainless Steel Label Holder
Lid Label Holder S/S

Padlock with key
Stainless Steel Padlock with 2 Keys (1 key fits all)

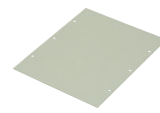
Internal mounting spacers

10mm Long
15mm Long
20mm Long
30mm Long



Part Number
0908580000
0908570000
0908760000
0905680000
0935110000
0935120000
0935130000
0935140000

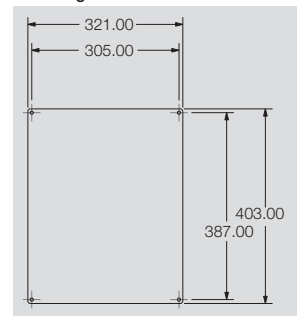
Mounting Plate



Padlock with key



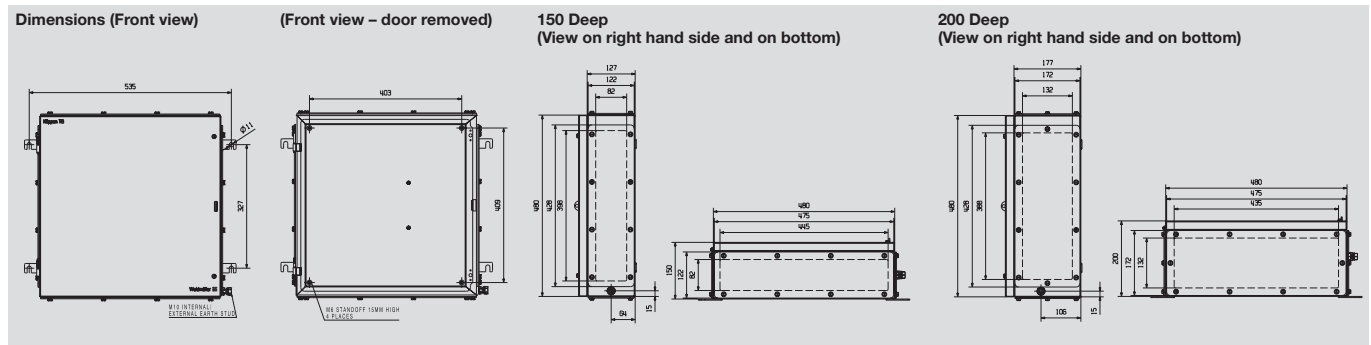
Mounting Plate dimensions



Comments

* 6mm Gland Plate available on request
** Cable entries based on Weidmullers standard IP68 cable glands
*** For specific hazardous area requirements please contact Weidmuller for a copy of the full certificate
General – 316L Stainless Steel enclosures are Electropolished for high performance under severe weather conditions

Klippon® TB12A Bolt 150 & 200 Deep



Height x Width x Depth	mm	150 Deep = 480 x 480 x 150	200 Deep = 480 x 480 x 200
Weight	g	150 Deep = 1GP-11.75kg, 2GP-13.0kg, 3GP-13.75kg, 4GP-15.0kg	200 Deep = 1GP-13.25kg, 2GP-14.75kg, 3GP-15.75kg, 4GP-17.25kg

Technical data

Enclosure Material:	Stainless Steel 1.4404(316L) 1.50mm	ATEX Certification:	Baseefa 06ATEX0010U (Component)
Gland Plate Material:	Stainless Steel 1.4404(316L) 3.00mm*	ATEX Certification:	Baseefa 06ATEX0011X EEx E, EEx ia and EEx [ia]***
Ingress Protection:	IP66 & IP67	ATEX Marking:	TII 2GD Ex e II Ex tD A21
Earthing:	Body-Internal/External M10 Brass / Door - M6 x 25 S/Steel	IEC Certification:	IECEX BAS 06.0004X (assembled) IECEX BAS 06.0003U (component)
Internal Mounting:	4 Mounting Pillars with M6 threaded hole	IEC Marking:	Exe II Ex tD A21 IP66 & IP67
External Mounting:	4 External lugs with 11mm slots- see note a foot of page	Pending Certification:	UL,CSA, NEMA, GOST K and R
Lid Opening:	Fully detachable lid(Self Retaining)with 2 x M5 A4 Hex Head Bolts	Gasket Material:	Silicon -60 °C to +140 °C
Impact Resistance:	10 J	Gasket compression control in accordance with manufacturers recommendation	

Ordering Data Enclosures

Stainless Sheet Steel 1.4404 316L

- 1 Gland Plate – Positioned on bottom (B)
- 2 Gland Plate – Positioned on top & bottom (A&B)
- 3 Gland Plate – Positioned on bottom, left & right (B,C&D)
- 4 Gland Plate – Positioned on top, bottom, left & right (A,B,C&D)

Max Number of Cable Entries Per Enclosure Side**

M 12
M 16
M 20
M 25
M 32
M 40
M 50
M 63



Bolt Fastener Versions

Part Number 150 Deep	Part Number 200 Deep
0904880000	0904960000
0904890000	0904970000
0904900000	0904980000
0904910000	0904990000

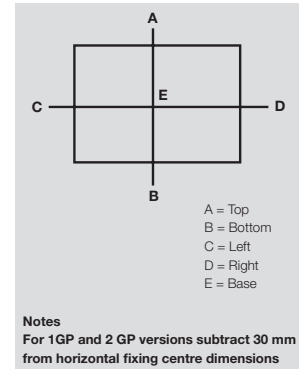
150 Deep Versions

A/B	C/D
51	48
42	38
22	20
18	16
7	6
6	5
5	4
0	0

200 Deep Versions

A/B	C/D
102	93
70	63
33	30
27	24
14	12
12	10
5	4
4	4

Enclosure sides - ID



150 and 200 Deep Versions

Max Number of Terminals – INDUSTRIAL			W series H	W series V	Z series H	Z series V	SAK series H	SAK series V
WDU 2.5	ZDU 2.5	SAK 2.5	4 x 73	4 x 75	4 x 73	4 x 75	5 x 62	5 x 63
WDU 4	ZDU 4	SAK 4	4 x 61	4 x 62	4 x 62	4 x 63	5 x 58	5 x 58
WDU 6	ZDU 6	SAK 6	4 x 47	4 x 48	4 x 47	4 x 47	5 x 47	5 x 47
WDU 10	ZDU 10	SAK 10	4 x 38	4 x 38	4 x 37	4 x 38	5 x 37	5 x 38
WDU 16	ZDU 16	SAK 16	4 x 31	4 x 32	4 x 31	4 x 31	4 x 31	4 x 31
WDU 35	ZDU 35	SAK 35	4 x 23	4 x 23	4 x 23	4 x 23	4 x 20	4 x 21
WDU 50N			4 x 20	4 x 20				

Ordering Data Accessories

Sheet Steel Mounting Plate 1.5mm Painted RAL7032
Mounting Plate Sheet Steel painted RAL7032

Stainless Sheet Steel Mounting Plate 1.4404 316L
Mounting Plate Sheet Steel 316L

Stainless Steel Label Holder
Lid Label Holder S/S

Padlock with key
Stainless Steel Padlock with 2 Keys (1 key fits all)

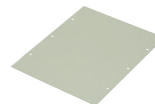
Internal mounting spacers

10mm Long
15mm Long
20mm Long
30mm Long



Part Number
0908600000
0908590000
0908760000
0905680000
0935110000
0935120000
0935130000
0935140000

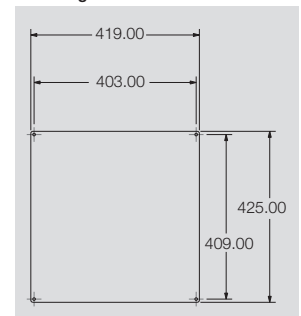
Mounting Plate



Padlock with key



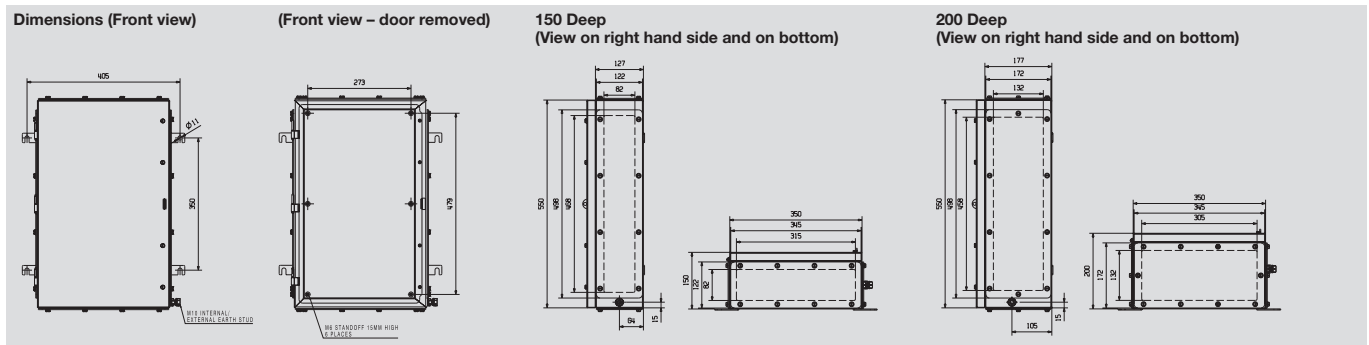
Mounting Plate dimensions



Comments

* 6mm Gland Plate available on request
 ** Cable entries based on Weidmullers standard IP68 cable glands
 *** For specific hazardous area requirements please contact Weidmuller for a copy of the full certificate
 General – 316L Stainless Steel enclosures are Electropolished for high performance under severe weather conditions

Klippon® TB12B Bolt 150 & 200 Deep



Height x Width x Depth	mm	150 Deep = 550 x 350 x 150	200 Deep = 550 x 350 x 200
Weight	g	150 Deep = 1GP-10.5kg, 2GP-11.0kg, 3GP-12.75kg, 4GP-13.5kg	200 Deep = 1GP-11.75kg, 2GP-12.25kg, 3GP-14.75kg, 4GP-15.75kg

Technical data

Enclosure Material:	Stainless Steel 1.4404(316L) 1.50mm	ATEX Certification:	Baseefa 06ATEX0010U (Component)
Gland Plate Material:	Stainless Steel 1.4404(316L) 3.00mm*	ATEX Certification:	Baseefa 06ATEX0011X EEx E, EEx ia and EEx [ia]***
Ingress Protection:	IP66 & IP67	ATEX Marking:	TII 2GD Ex e II Ex tD A21
Earthing:	Body-Internal/External M10 Brass / Door - M6 x 25 S/Steel	IEC Certification:	IECEX BAS 06.0004X (assembled) IECEX BAS 06.0003U (component)
Internal Mounting:	6 Mounting Pillars with M6 threaded hole	IEC Marking:	Exe II Ex tD A21 IP66 & IP67
External Mounting:	4 External lugs with 11mm slots- see note a foot of page	Pending Certification:	UL,CSA, NEMA, GOST K and R
Lid Opening:	Fully detachable lid(Self Retaining)with 6 x M5 A4 Hex Head Bolts	Gasket Material:	Silicon -60 °C to +140 °C
Impact Resistance:	10 J	Gasket compression control in accordance with manufacturers recommendation	

Ordering Data Enclosures

Stainless Sheet Steel 1.4404 316L

- 1 Gland Plate – Positioned on bottom (B)
- 2 Gland Plate – Positioned on top & bottom (A&B)
- 3 Gland Plate – Positioned on bottom, left & right (B,C&D)
- 4 Gland Plate – Positioned on top, bottom, left & right (A,B,C&D)

Max Number of Cable Entries Per Enclosure Side**

M 12
M 16
M 20
M 25
M 32
M 40
M 50
M 63



Bolt Fastener Versions

Part Number 150 Deep	Part Number 200 Deep
0905040000	0905120000
0905050000	0905130000
0905060000	0905140000
0905070000	0905150000

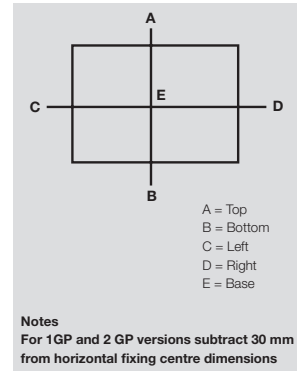
150 Deep Versions

A/B	C/D
36	54
30	45
16	24
13	19
5	8
4	6
3	5
0	0

200 Deep Versions

A/B	C/D
72	108
50	75
24	36
21	30
10	16
8	12
3	5
3	4

Enclosure sides - ID



150 and 200 Deep Versions

Max Number of Terminals – INDUSTRIAL			W series H	W series V	Z series H	Z series V	SAK series H	SAK series V
WDU 2.5	ZDU 2.5	SAK 2.5	5 x 48	3 x 88	5 x 48	3 x 88	6 x 41	4 x 75
WDU 4	ZDU 4	SAK 4	5 x 40	3 x 74	5 x 41	3 x 75	6 x 38	3 x 69
WDU 6	ZDU 6	SAK 6	5 x 31	3 x 57	5 x 30	3 x 56	6 x 30	3 x 56
WDU 10	ZDU 10	SAK 10	5 x 24	3 x 45	5 x 24	3 x 45	6 x 24	3 x 45
WDU 16	ZDU 16	SAK 16	5 x 20	3 x 38	5 x 20	3 x 37	5 x 20	3 x 37
WDU 35	ZDU 35	SAK 35	5 x 15	3 x 28	5 x 15	3 x 28	5 x 13	3 x 25
WDU 50N			4 x 13	2 x 24				

Ordering Data Accessories

Sheet Steel Mounting Plate 1.5mm Painted RAL7032
Mounting Plate Sheet Steel painted RAL7032

Stainless Sheet Steel Mounting Plate 1.4404 316L
Mounting Plate Sheet Steel 316L

Stainless Steel Label Holder
Lid Label Holder S/S

Padlock with key
Stainless Steel Padlock with 2 Keys (1 key fits all)

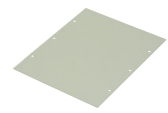
Internal mounting spacers

10mm Long
15mm Long
20mm Long
30mm Long



Part Number
0908620000
0908610000
0908760000
0905680000
0935110000
0935120000
0935130000
0935140000

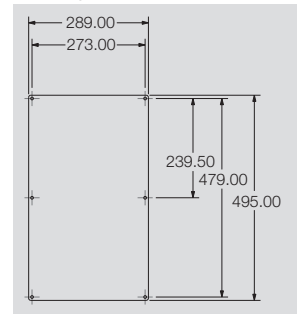
Mounting Plate



Padlock with key



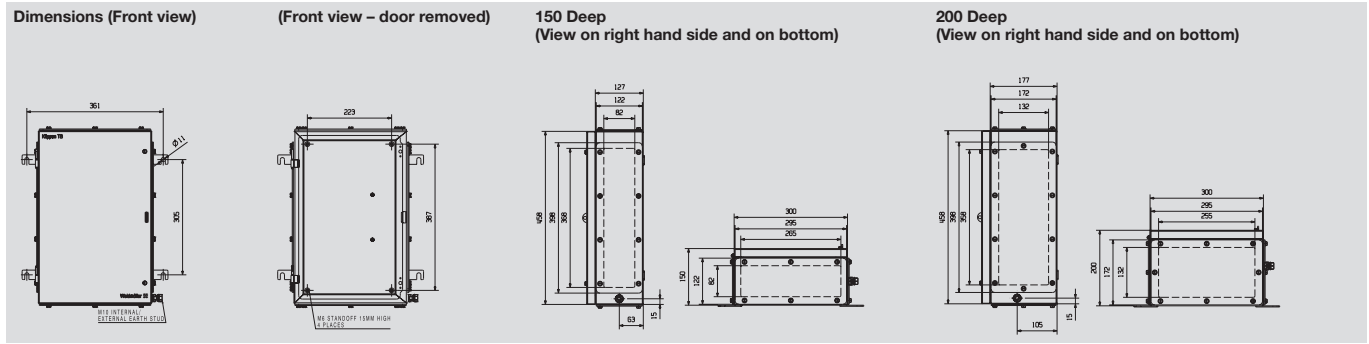
Mounting Plate dimensions



Comments

* 6mm Gland Plate available on request
** Cable entries based on Weidmullers standard IP68 cable glands
*** For specific hazardous area requirements please contact Weidmuller for a copy of the full certificate
General – 316L Stainless Steel enclosures are Electropolished for high performance under severe weather conditions

Klippon® TB12C Bolt 150 & 200 Deep



Height x Width x Depth	mm	150 Deep = 458 x 300 x 150	200 Deep = 458 x 300 x 200
Weight	g	150 Deep = 1GP-8.25kg, 2GP-8.750kg, 3GP-10.0kg, 4GP-10.75kg	200 Deep = 1GP-9.25kg, 2GP-10.0kg, 3GP-11.75kg, 4GP-12.5kg

Technical data

Enclosure Material:	Stainless Steel 1.4404(316L) 1.50mm	ATEX Certification:	Baseefa 06ATEX0010U (Component)
Gland Plate Material:	Stainless Steel 1.4404(316L) 3.00mm*	ATEX Certification:	Baseefa 06ATEX0011X EEx E, EEx ia and EEx [ia]***
Ingress Protection:	IP66 & IP67	ATEX Marking:	TII 2GD Ex e II Ex tD A21
Earthing:	Body-Internal/External M10 Brass / Door - M6 x 25 S/Steel	IEC Certification:	IECEX BAS 06.0004X (assembled) IECEX BAS 06.0003U (component)
Internal Mounting:	4 Mounting Pillars with M6 threaded hole	IEC Marking:	Exe II Ex tD A21 IP66 & IP67
External Mounting:	4 External lugs with 11mm slots- see note a foot of page	Pending Certification:	UL,CSA, NEMA, GOST K and R
Lid Opening:	Fully detachable lid(Self Retaining)with 2 x M5 A4 Hex Head Bolts	Gasket Material:	Silicon -60 °C to +140 °C
Impact Resistance:	10 J	Gasket compression control in accordance with manufacturers recommendation	

Ordering Data Enclosures

Stainless Sheet Steel 1.4404 316L

- 1 Gland Plate – Positioned on bottom (B)
- 2 Gland Plate – Positioned on top & bottom (A&B)
- 3 Gland Plate – Positioned on bottom, left & right (B,C&D)
- 4 Gland Plate – Positioned on top, bottom, left & right (A,B,C&D)

Max Number of Cable Entries Per Enclosure Side**

M 12
M 16
M 20
M 25
M 32
M 40
M 50
M 63



Bolt Fastener Versions

Part Number 150 Deep	Part Number 200 Deep
0905200000	0905280000
0905210000	0905290000
0905220000	0905300000
0905230000	0905310000

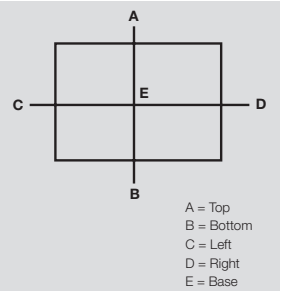
150 Deep Versions

A/B	C/D
30	42
24	35
12	18
10	15
4	6
4	5
3	4
0	0

200 Deep Versions

A/B	C/D
60	84
40	58
18	27
15	24
8	12
8	10
3	4
2	3

Enclosure sides - ID



Notes
For 1GP and 2 GP versions subtract 30 mm from horizontal fixing centre dimensions

150 and 200 Deep Versions

Max Number of Terminals – INDUSTRIAL			W series H	W series V	Z series H	Z series V	SAK series H	SAK series V
WDU 2.5	ZDU 2.5	SAK 2.5	4 x 38	2 x 70	4 x 38	2 x 70	5 x 32	3 x 60
WDU 4	ZDU 4	SAK 4	4 x 32	2 x 59	4 x 32	2 x 60	5 x 30	3 x 55
WDU 6	ZDU 6	SAK 6	4 x 24	2 x 45	4 x 24	2 x 45	5 x 24	3 x 45
WDU 10	ZDU 10	SAK 10	4 x 19	2 x 36	4 x 19	2 x 36	5 x 19	3 x 36
WDU 16	ZDU 16	SAK 16	4 x 16	2 x 30	4 x 16	2 x 30	4 x 16	2 x 30
WDU 35	ZDU 35	SAK 35	4 x 12	2 x 22	4 x 12	2 x 22	4 x 10	2 x 20
WDU 50N			3 x 10	2 x 19				

Ordering Data Accessories

Sheet Steel Mounting Plate 1.5mm Painted RAL7032
Mounting Plate Sheet Steel painted RAL7032

Stainless Sheet Steel Mounting Plate 1.4404 316L
Mounting Plate Sheet Steel 316L

Stainless Steel Label Holder
Lid Label Holder S/S

Padlock with key
Stainless Steel Padlock with 2 Keys (1 key fits all)

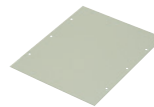
Internal mounting spacers

10mm Long
15mm Long
20mm Long
30mm Long



Part Number
0908640000
0908630000
0908760000
0905680000
0935110000
0935120000
0935130000
0935140000

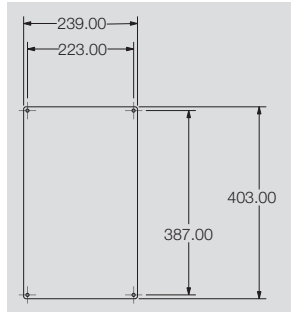
Mounting Plate



Padlock with key



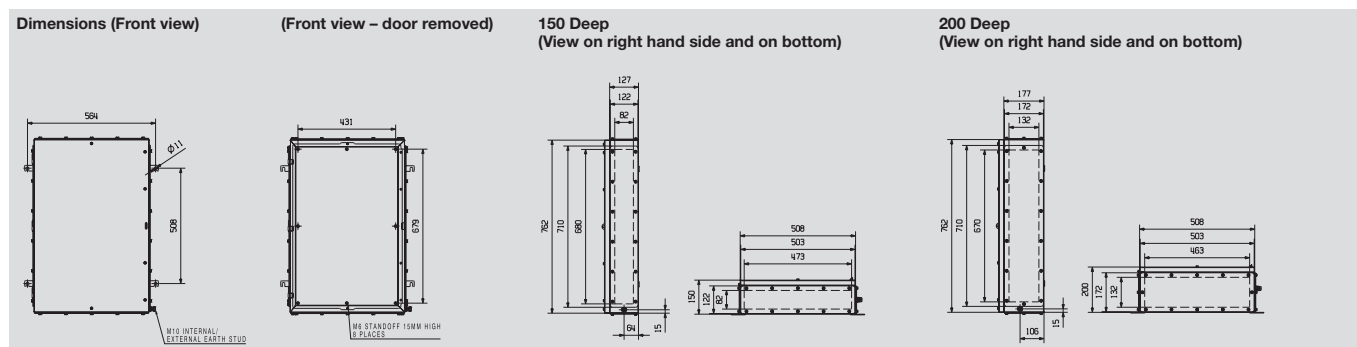
Mounting Plate dimensions



Comments

* 6mm Gland Plate available on request
** Cable entries based on Weidmullers standard IP68 cable glands
*** For specific hazardous area requirements please contact Weidmuller for a copy of the full certificate
General – 316L Stainless Steel enclosures are Electropolished for high performance under severe weather conditions

Klippon® TB13 Bolt 150 & 200 Deep



Height x Width x Depth	mm	150 Deep = 762 x 508 x 150	200 Deep = 762 x 508 x 200
Weight	g	150 Deep = 1GP-15.0kg, 2GP-17.5kg, 3GP-18.25kg, 4GP-21.5kg	200 Deep = 1GP-19.25kg, 2GP-20.0kg, 3GP-23.25kg, 4GP-24.75kg

Technical data

Enclosure Material:	Stainless Steel 1.4404(316L) 1.50mm	ATEX Certification:	Baseefa 06ATEX0010U (Component)
Gland Plate Material:	Stainless Steel 1.4404(316L) 3.00mm*	ATEX Certification:	Baseefa 06ATEX0011X EEx E, EEx ia and EEx [ia]***
Ingress Protection:	IP66 & IP67	ATEX Marking:	TII 2GD Ex e II Ex tD A21
Earthing:	Body-Internal/External M10 Brass / Door - M6 x 25 S/Steel	IEC Certification:	IECEX BAS 06.0004X (assembled) IECEX BAS 06.0003U (component)
Internal Mounting:	8 Mounting Pillars with M6 threaded hole	IEC Marking:	Exe II Ex tD A21 IP66 & IP67
External Mounting:	4 External lugs with 11mm slots- see note a foot of page	Pending Certification:	UL,CSA, NEMA, GOST K and R
Lid Opening:	Fully detachable lid(Self Retaining)with 6 x M5 A4 Hex Head Bolts	Gasket Material:	Silicon -60 °C to +140 °C
Impact Resistance:	10 J	Gasket compression control in accordance with manufacturers recommendation	

Ordering Data Enclosures

Stainless Sheet Steel 1.4404 316L

- Gland Plate – Positioned on bottom (B)
- Gland Plate – Positioned on top & bottom (A&B)
- Gland Plate – Positioned on bottom, left & right (B,C&D)
- Gland Plate – Positioned on top, bottom, left & right (A,B,C&D)

Max Number of Cable Entries Per Enclosure Side**

M 12	
M 16	
M 20	
M 25	
M 32	
M 40	
M 50	
M 63	



Bolt Fastener Versions

Part Number 150 Deep	Part Number 200 Deep
0905360000	0905440000
0905370000	0905450000
0905380000	0905460000
0905390000	0905470000

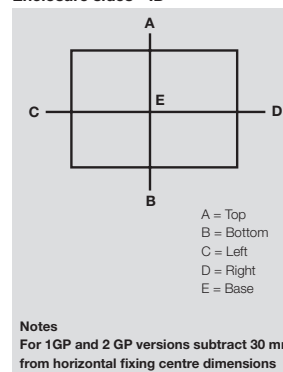
150 Deep Versions

A/B	C/D
57	81
45	66
24	34
20	29
8	11
7	10
5	8
0	0

200 Deep Versions

A/B	C/D
111	159
75	110
36	51
30	45
16	22
14	20
5	8
4	7

Enclosure sides - ID



Max Number of Terminals – INDUSTRIAL

WDU 2.5	ZDU 2.5	SAK 2.5
WDU 4	ZDU 4	SAK 4
WDU 6	ZDU 6	SAK 6
WDU 10	ZDU 10	SAK 10
WDU 16	ZDU 16	SAK 16
WDU 35	ZDU 35	SAK 35
WDU 50N		

150 and 200 Deep Versions

W series H	W series V	Z series H	Z series V	SAK series H	SAK series V
7 x 79	4 x 128	7 x 79	4 x 128	9 x 67	6 x 108
7 x 66	4 x 107	7 x 67	4 x 108	9 x 62	5 x 100
7 x 51	4 x 82	7 x 50	4 x 81	9 x 50	5 x 81
7 x 40	4 x 66	7 x 40	4 x 65	9 x 40	5 x 65
7 x 34	4 x 54	7 x 33	4 x 54	8 x 33	5 x 54
7 x 25	4 x 40	7 x 25	4 x 40	7 x 22	4 x 36
6 x 21	4 x 35				

Ordering Data Accessories

Sheet Steel Mounting Plate 1.5mm Painted RAL7032
Mounting Plate Sheet Steel painted RAL7032

Stainless Sheet Steel Mounting Plate 1.4404 316L
Mounting Plate Sheet Steel 316L

Stainless Steel Label Holder
Lid Label Holder S/S

Padlock with key
Stainless Steel Padlock with 2 Keys (1 key fits all)

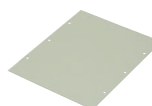
Internal mounting spacers

10mm Long	
15mm Long	
20mm Long	
30mm Long	



Part Number
0908660000
0908650000
0908760000
0905680000
0935110000
0935120000
0935130000
0935140000

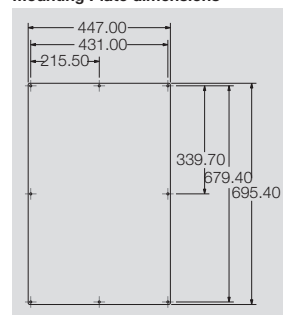
Mounting Plate



Padlock with key



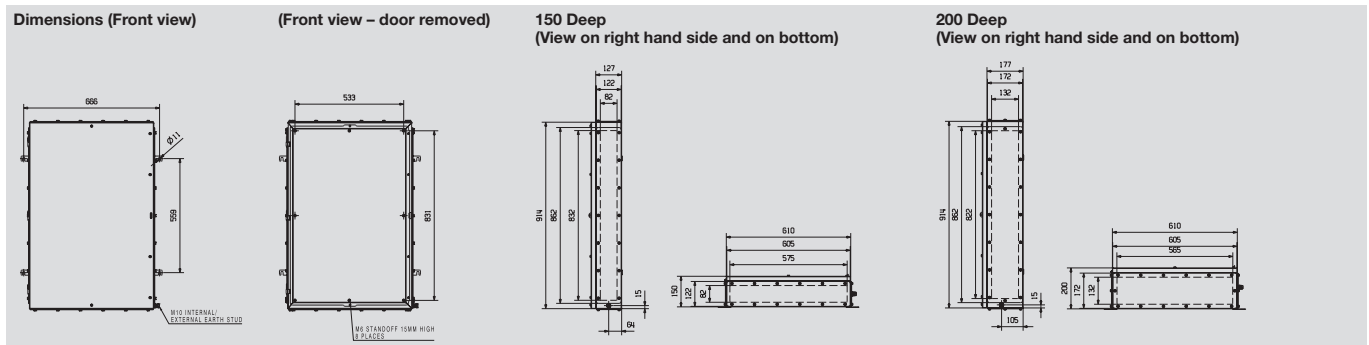
Mounting Plate dimensions



Comments

* 6mm Gland Plate available on request
 ** Cable entries based on Weidmullers standard IP68 cable glands
 *** For specific hazardous area requirements please contact Weidmuller for a copy of the full certificate
 General – 316L Stainless Steel enclosures are Electropolished for high performance under severe weather conditions

Klippon® TB14 Bolt 150, 200 & 300 Deep



Height x Width x Depth	mm	150 Deep = 914 x 610 x 150	200 Deep = 914 x 610 x 200
Weight	g	150 Deep = 1GP-23.0kg, 2GP-24.0kg, 3GP-26.75kg, 4GP-28.25kg	200 Deep = 1GP-25.25kg, 2GP-26.25kg, 3GP-30.0kg, 4GP-32.0kg

Technical data

Enclosure Material:	Stainless Steel 1.4404(316L) 1.50mm	ATEX Certification:	Baseefa 06ATEX0010U (Component)
Gland Plate Material:	Stainless Steel 1.4404(316L) 3.00mm*	ATEX Certification:	Baseefa 06ATEX0011X EEx E, EEx ia and EEx [ia]***
Ingress Protection:	IP66 & IP67	ATEX Marking:	TII 2GD Ex e II Ex tD A21
Earthing:	Body-Internal/External M10 Brass / Door - M6 x 25 S/Steel	IEC Certification:	IECEX BAS 06.0004X (assembled) IECEX BAS 06.0003U (component)
Internal Mounting:	8 Mounting Pillars with M6 threaded hole	IEC Marking:	Exe II Ex tD A21 IP66 & IP67
External Mounting:	4 External lugs with 11mm slots- see note a foot of page	Pending Certification:	UL,CSA, NEMA, GOST K and R
Lid Opening:	Fully detachable lid(Self Retaining)with 6 x M5 A4 Hex Head Bolts	Gasket Material:	Silicon -60 °C to +140 °C
Impact Resistance:	10 J	Gasket compression control in accordance with manufacturers recommendation	

Ordering Data Enclosures

Stainless Sheet Steel 1.4404 316L

- Gland Plate – Positioned on bottom (B)
- Gland Plate – Positioned on top & bottom (A&B)
- Gland Plate – Positioned on bottom, left & right (B,C&D)
- Gland Plate – Positioned on top, bottom, left & right (A,B,C&D)

Max Number of Cable Entries Per Enclosure Side**

M 12	
M 16	
M 20	
M 25	
M 32	
M 40	
M 50	
M 63	



Bolt Fastener Versions

Part Number 150 Deep
0905520000
0905530000
0905540000
0905550000

Part Number 200 Deep

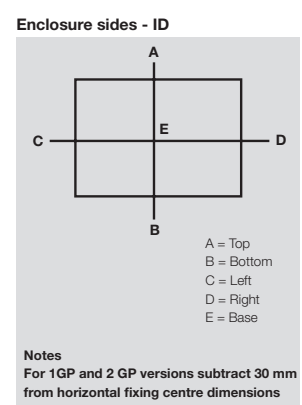
0905600000
0905610000
0905620000
0905630000

150 Deep Versions

A/B	C/D
69	99
65	95
28	42
24	36
10	14
8	12
7	10
0	0

200 Deep Versions

A/B	C/D
135	198
96	135
42	62
36	54
18	28
16	24
7	10
5	7



Max Number of Terminals – INDUSTRIAL

WDU 2.5	ZDU 2.5	SAK 2.5
WDU 4	ZDU 4	SAK 4
WDU 6	ZDU 6	SAK 6
WDU 10	ZDU 10	SAK 10
WDU 16	ZDU 16	SAK 16
WDU 35	ZDU 35	SAK 35
WDU 50N		

150 and 200 Deep Versions

W series H	W series V	Z series H	Z series V	SAK series H	SAK series V
8 x 99	5 x 157	8 x 99	5 x 157	11 x 84	7 x 134
8 x 83	5 x 132	8 x 84	5 x 134	10 x 78	7 x 123
8 x 64	5 x 101	8 x 63	5 x 100	10 x 63	7 x 100
8 x 51	5 x 81	8 x 50	5 x 80	10 x 50	7 x 80
8 x 42	5 x 67	8 x 42	5 x 67	9 x 42	6 x 67
8 x 31	5 x 50	8 x 31	5 x 50	8 x 28	5 x 44
7 x 27	5 x 43				

Ordering Data Accessories

Sheet Steel Mounting Plate 1.5mm Painted RAL7032
Mounting Plate Sheet Steel painted RAL7032

Stainless Sheet Steel Mounting Plate 1.4404 316L
Mounting Plate Sheet Steel 316L

Stainless Steel Label Holder
Lid Label Holder S/S

Padlock with key
Stainless Steel Padlock with 2 Keys (1 key fits all)

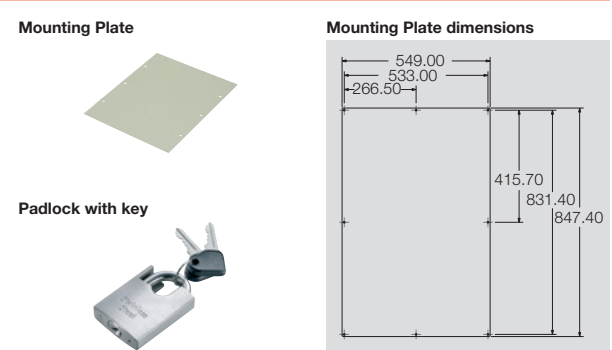
Internal mounting spacers

10mm Long
15mm Long
20mm Long
30mm Long



Part Number

0908680000
0908670000
0908760000
0905680000
0935110000
0935120000
0935130000
0935140000



Comments

* 6mm Gland Plate available on request
 ** Cable entries based on Weidmullers standard IP68 cable glands
 *** For specific hazardous area requirements please contact Weidmuller for a copy of the full certificate
 General – 316L Stainless Steel enclosures are Electropolished for high performance under severe weather conditions

Overview Stainless Steel Enclosures

Klippon® TB Article No	Klippon® TB Description	Enclosure Size Dimensions (mm)
0933050000	KLIPPONTB10 221513B/0S	229x152x133
0929000000	KLIPPONTB10 221513B/1S	229x152x133
0929010000	KLIPPONTB10 221513B/2S	229x152x133
0929020000	KLIPPONTB10 221513B/3S	229x152x133
0929030000	KLIPPONTB10 221513B/4S	229x152x133
0933070000	KLIPPONTB10A 262615B/0S	260x260x150
0929040000	KLIPPONTB10A 262615B/1S	260x260x150
0929050000	KLIPPONTB10A 262615B/2S	260x260x150
0929060000	KLIPPONTB10A 262615B/3S	260x260x150
0929070000	KLIPPONTB10A 262615B/4S	260x260x150
0933090000	KLIPPONTB10A 262620B/0S	260x260x200
0929080000	KLIPPONTB10A 262620B/1S	260x260x200
0929090000	KLIPPONTB10A 262620B/2S	260x260x200
0929100000	KLIPPONTB10A 262620B/3S	260x260x200
0929110000	KLIPPONTB10A 262620B/4S	260x260x200
0933110000	KLIPPONTB11 303015B/0S	300x300x150
0929120000	KLIPPONTB11 303015B/1S	300x300x150
0929130000	KLIPPONTB11 303015B/2S	300x300x150
0929140000	KLIPPONTB11 303015B/3S	300x300x150
0929150000	KLIPPONTB11 303015B/4S	300x300x150
0933130000	KLIPPONTB11 303020B/0S	300x300x200
0929160000	KLIPPONTB11 303020B/1S	300x300x200
0929170000	KLIPPONTB11 303020B/2S	300x300x200
0929180000	KLIPPONTB11 303020B/3S	300x300x200
0929190000	KLIPPONTB11 303020B/4S	300x300x200
0933150000	KLIPPONTB11A 352615B/0S	350x260x150
0929200000	KLIPPONTB11A 352615B/1S	350x260x150
0929210000	KLIPPONTB11A 352615B/2S	350x260x150
0929220000	KLIPPONTB11A 352615B/3S	350x260x150
0929230000	KLIPPONTB11A 352615B/4S	350x260x150
0933170000	KLIPPONTB11A 352620B/0S	350x260x200
0929240000	KLIPPONTB11A 352620B/1S	350x260x200
0929250000	KLIPPONTB11A 352620B/2S	350x260x200
0929260000	KLIPPONTB11A 352620B/3S	350x260x200
0929270000	KLIPPONTB11A 352620B/4S	350x260x200
0933190000	KLIPPONTB11B 454015B/0S	450x400x150
0929280000	KLIPPONTB11B 454015B/1S	450x400x150
0929290000	KLIPPONTB11B 454015B/2S	450x400x150
0929300000	KLIPPONTB11B 454015B/3S	450x400x150
0929310000	KLIPPONTB11B 454015B/4S	450x400x150
0933210000	KLIPPONTB11B 454020B/0S	450x400x200
0929320000	KLIPPONTB11B 454020B/1S	450x400x200
0929330000	KLIPPONTB11B 454020B/2S	450x400x200
0929340000	KLIPPONTB11B 454020B/3S	450x400x200
0929350000	KLIPPONTB11B 454020B/4S	450x400x200
0933220000	KLIPPONTB12 453815B/0S	450x380x150
0904720000	KLIPPONTB12 453815B/1S	450x380x150
0904730000	KLIPPONTB12 453815B/2S	450x380x150
0904740000	KLIPPONTB12 453815B/3S	450x380x150
0904750000	KLIPPONTB12 453815B/4S	450x380x150
0933230000	KLIPPONTB12 453820B/0S	450x380x200
0904800000	KLIPPONTB12 453820B/1S	450x380x200
0904810000	KLIPPONTB12 453820B/2S	450x380x200
0904820000	KLIPPONTB12 453820B/3S	450x380x200
0904830000	KLIPPONTB12 453820B/4S	450x380x200

Highlighted items are the preferred articles.

Klippon® TB Article No	Klippon® TB Description	Enclosure Size Dimensions (mm)
0933240000	KLIPPONTB12A 484815B/0S	480x480x150
0904880000	KLIPPONTB12A 484815B/1S	480x480x150
0904890000	KLIPPONTB12A 484815B/2S	480x480x150
0904900000	KLIPPONTB12A 484815B/3S	480x480x150
0904910000	KLIPPONTB12A 484815B/4S	480x480x150
0933250000	KLIPPONTB12A 484820B/0S	480x480x200
0904960000	KLIPPONTB12A 484820B/1S	480x480x200
0904970000	KLIPPONTB12A 484820B/2S	480x480x200
0904980000	KLIPPONTB12A 484820B/3S	480x480x200
0904990000	KLIPPONTB12A 484820B/4S	480x480x200
0933260000	KLIPPONTB12B 553515B/0S	550x350x150
0905040000	KLIPPONTB12B 553515B/1S	550x350x150
0905050000	KLIPPONTB12B 553515B/2S	550x350x150
0905060000	KLIPPONTB12B 553515B/3S	550x350x150
0905070000	KLIPPONTB12B 553515B/4S	550x350x150
0933270000	KLIPPONTB12B 553520B/0S	550x350x200
0905120000	KLIPPONTB12B 553520B/1S	550x350x200
0905130000	KLIPPONTB12B 553520B/2S	550x350x200
0905140000	KLIPPONTB12B 553520B/3S	550x350x200
0905150000	KLIPPONTB12B 553520B/4S	550x350x200
0933280000	KLIPPONTB12C 453015B/0S	450x300x150
0905200000	KLIPPONTB12C 453015B/1S	450x300x150
0905210000	KLIPPONTB12C 453015B/2S	450x300x150
0905220000	KLIPPONTB12C 453015B/3S	450x300x150
0905230000	KLIPPONTB12C 453015B/4S	450x300x150
0933290000	KLIPPONTB12C 453020B/0S	450x300x200
0905280000	KLIPPONTB12C 453020B/1S	450x300x200
0905290000	KLIPPONTB12C 453020B/2S	450x300x200
0905300000	KLIPPONTB12C 453020B/3S	450x300x200
0905310000	KLIPPONTB12C 453020B/4S	450x300x200
0933300000	KLIPPONTB13 765015B/0S	760x500x150
0905360000	KLIPPONTB13 765015B/1S	760x500x150
0905370000	KLIPPONTB13 765015B/2S	760x500x150
0905380000	KLIPPONTB13 765015B/3S	760x500x150
0905390000	KLIPPONTB13 765015B/4S	760x500x150
0933310000	KLIPPONTB13 765020B/0S	760x500x200
0905440000	KLIPPONTB13 765020B/1S	760x500x200
0905450000	KLIPPONTB13 765020B/2S	760x500x200
0905460000	KLIPPONTB13 765020B/3S	760x500x200
0905470000	KLIPPONTB13 765020B/4S	760x500x200
0933320000	KLIPPONTB14 906115B/0S	914x610x150
0905520000	KLIPPONTB14 906115B/1S	914x610x150
0905530000	KLIPPONTB14 906115B/2S	914x610x150
0905540000	KLIPPONTB14 906115B/3S	914x610x150
0905550000	KLIPPONTB14 906115B/4S	914x610x150
0933330000	KLIPPONTB14 906120B/0S	914x610x200
0905600000	KLIPPONTB14 906120B/1S	914x610x200
0905610000	KLIPPONTB14 906120B/2S	914x610x200
0905620000	KLIPPONTB14 906120B/3S	914x610x200
0905630000	KLIPPONTB14 906120B/4S	914x610x200

Steel enclosures

Klippon® TB

- 12 standard sizes (two depths)
- 316L (1.4404) electropolished stainless steel
- High temperature silicon gasket
- High Ingress Protection (IP66/67)



STB-Series

- 6 standard sizes
- 316L (1.4404) electropolished stainless steel or painted sheet steel
- Robust design for heavy duty applications



Klippon® JB

- 10 standard sizes, bottom gland plate
- 316L (1.4404) brushed stainless steel
- For harsh and industrial applications



Polyester enclosures

Klippon® POK

- 17 standard sizes
- Durable Glass Reinforced Polyester (GRP)
- Halogen and cadmium free



TBF-Series

- 9 standard sizes
- Durable Glass Reinforced Polyester (GRP)
- Featuring either grey or transparent lid



Aluminium enclosures

Klippon® K

- 19 standard sizes
- High quality aluminium alloy (natural or painted finish)
- High Ingress Protection – IP66/67



Polycarbonate enclosures

MPC-Series

- 9 standard sizes
- Universal small polycarbonate enclosures
- Featuring either grey or transparent lid



FPC-Series

- 6 standard sizes
- Large polycarbonate enclosures
- Featuring either grey or transparent lid



Accessories

- Cable glands
- Stopping plugs
- Breather drains



Cable entries



