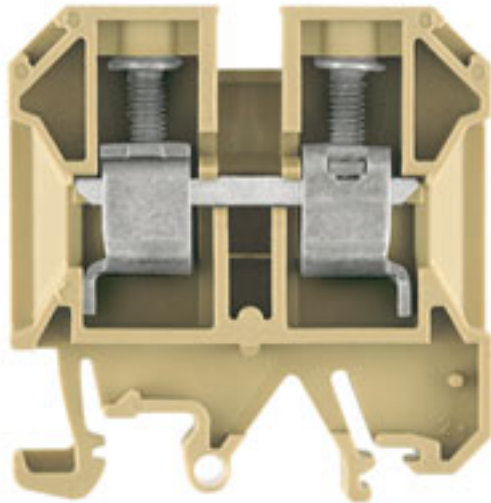


SAK Series
SAK 16/EN

Weidmüller Interface GmbH & Co. KG
 Klingenbergstraße 26
 D-32758 Detmold
 Germany
 Fon: +49 5231 14-0
 Fax: +49 5231 14-292083
 www.weidmueller.com

Product image**Klippon® Connect with clamping yoke Technology**

The high reliability and variety of designs of the terminal blocks with clamping yoke connections make planning easier and optimises operational safety. Klippon® Connect provides a proven response to a range of different requirements.

General ordering data

Delivery status	This article will no longer be available in the future.
Available until	2018-12-31
Type	SAK 16/EN
Order No.	0339760000
Version	SAK Series, Feed-through terminal, Rated cross-section: 16 mm ² , Screw connection
GTIN (EAN)	4008190069544
Qty.	50 pc(s).
Alternative product	1020300000

Creation date April 26, 2020 6:59:30 PM CEST

SAK Series
SAK 16/EN

Weidmüller Interface GmbH & Co. KG
 Klingenbergstraße 26
 D-32758 Detmold
 Germany
 Fon: +49 5231 14-0
 Fax: +49 5231 14-292083
 www.weidmueller.com

Technical data**Dimensions and weights**

Width	12 mm	Width (inches)	0.472 inch
Height	50 mm	Height (inches)	1.969 inch
Depth	53.5 mm	Depth (inches)	2.106 inch
Net weight	27.26 g		

Temperatures

Operating temperature range	For operating temperature range see EC Design Test Certificate / IEC Ex-Certificate of Conformity	Storage temperature, max.	40 °C
Storage temperature, min.	10 °C	Storage temperature	10 °C...40 °C
Continuous operating temp., min.	-50 °C	Continuous operating temp., max.	100 °C

Material data

Material	PA 66	Colour	beige / yellow
UL 94 flammability rating	V-2		

Rating data IECEx/ATEX

Certificate No. (ATEX)	KEMA97ATEX1798U	Certificate No. (IECEX)	IECEXKEM06.0014U
Max. voltage (ATEX)	690 V	Current (ATEX)	66 A
Wire cross section max. (ATEX)	16 mm ²	Max. voltage (IECEX)	690 V
Current (IECEX)	66 A	Wire cross section max. (IECEX)	16 mm ²
Operating temperature range	For operating temperature range see EC Design Test Certificate / IEC Ex-Certificate of Conformity	Marking EN 60079-7	Ex eb II C Gb
Ex 2014/34/EU label	II 2 G D		

System specifications

Version	Screw connection, for screwable cross-connection, One end without connector	End cover plate required	Yes
Number of potentials	1	Number of levels	1
Number of clamping points per level	2	Number of potentials per tier	1
Levels cross-connected internally	No	PE connection	No
Rail	TS 35, TS 32	N-function	No
PE function	No	PEN function	No

Additional technical data

Explosion-tested version	No	Number of similar terminals	1
Type of mounting	Snap-on		

CSA rating data

Certificate No. (CSA)	154685-1501714	Current size C (CSA)	87 A
Voltage size C (CSA)	600 V	Wire cross section max. (CSA)	4 AWG
Wire cross section min. (CSA)	14 AWG		

SAK Series
SAK 16/EN

Weidmüller Interface GmbH & Co. KG
 Klingenbergstraße 26
 D-32758 Detmold
 Germany
 Fon: +49 5231 14-0
 Fax: +49 5231 14-292083
 www.weidmueller.com

Technical data**Conductors for clamping (rated connection)**

Blade size	1.0 x 5.5 mm	Clamping range, max.	16 mm ²
Clamping range, min.	2.5 mm ²	Clamping screw	M 4
Connection cross-section, stranded, max.	16 mm ²	Connection cross-section, stranded, min.	4 mm ²
Connection direction	on side	Gauge to IEC 60947-1	B6
Number of connections	2	Stripping length	15 mm
Tightening torque, max.	2.4 Nm	Tightening torque, min.	2 Nm
Twin wire-end ferrules, max.	10 mm ²	Twin wire-end ferrules, min.	1.5 mm ²
Type of connection	Screw connection	Wire connection cross section AWG, max.	AWG 6
Wire connection cross section AWG, min.	AWG 12	Wire connection cross section, finely stranded, max.	16 mm ²
Wire connection cross-section, finely stranded with wire-end ferrules DIN 46228/1, max.	16 mm ²	Wire connection cross-section, finely stranded with wire-end ferrules DIN 46228/1, min.	4 mm ²
Wire connection cross-section, finely stranded with wire-end ferrules DIN 46228/4, max.	16 mm ²	Wire connection cross-section, finely stranded with wire-end ferrules DIN 46228/4, min.	4 mm ²
Wire connection cross-section, finely stranded, min.	4 mm ²	Wire connection cross-section, solid core, max.	16 mm ²
Wire connection cross-section, solid core, min.	2.5 mm ²		

Rating data

Rated cross-section	16 mm ²	Rated voltage	1,000 V
Rated current	76 A	Current at maximum wires	76 A
Standards	IEC 60947-7-1	Volume resistance according to IEC 60947-7-x	0.42 mΩ
Power loss in accordance with IEC 60947-7-x	2.43 W	Rated impulse withstand voltage	8 kV
Pollution severity	3		

UL rating data

Certificate No. (UR)	E60693	Conductor size Factory wiring max. (UR)	4 AWG
Conductor size Factory wiring min. (UR)	12 AWG	Conductor size Field wiring max. (UR)	4 AWG
Conductor size Field wiring min. (UR)	12 AWG	Current size C (UR)	80 A
Voltage size C (UR)	600 V		

Classifications

ETIM 6.0	EC000897	ETIM 7.0	EC000897
eClass 9.0	27-14-11-20	eClass 9.1	27-14-11-20
eClass 10.0	27-14-11-20	UNSPSC	30-21-18-11

Data sheet

SAK Series
SAK 16/EN

Weidmüller Interface GmbH & Co. KG
Klingenbergstraße 26
D-32758 Detmold
Germany
Fon: +49 5231 14-0
Fax: +49 5231 14-292083
www.weidmueller.com

Technical data

Approvals

Approvals



ROHS Conform

Downloads

Approval/Certificate/Document of Conformity	Attestation Of Conformity IECEX Certificate DE_PT1361_20160418_345_ISSUE01.pdf
Engineering Data	EPLAN, WSCAD
Engineering Data	STEP
User Documentation	Cross Connection Guide StorageConditionsTerminalBlocks

Safety note

Safety notice [Safety Information](#)