

**RIDERSERIES RCM
SCM-I 4CO N**

Weidmüller Interface GmbH & Co. KG
Klingenbergstraße 26
D-32758 Detmold
Germany
Fon: +49 5231 14-0
Fax: +49 5231 14-292083
www.weidmueller.com

Product image

Relay base for RIDERSERIES RCM relays

- 2, 3 and 4 CO contacts
- Screw and PUSH IN wire connection
- Standard and low heights

General ordering data

| | |
|------------|---|
| Type | SCM-I 4CO N |
| Order No. | 8869390000 |
| Version | RIDERSERIES RCM, Relay bases, Number of contacts: 4 CO contact, Continuous current: 6 A, Screw connection |
| GTIN (EAN) | 4032248614257 |
| Qty. | 10 pc(s). |

Creation date April 13, 2020 2:45:54 PM CEST

Catalogue status 03.04.2020 / We reserve the right to make technical changes.

**RIDERSERIES RCM
SCM-I 4CO N**

Weidmüller Interface GmbH & Co. KG
 Klingenbergstraße 26
 D-32758 Detmold
 Germany
 Fon: +49 5231 14-0
 Fax: +49 5231 14-292083
 www.weidmueller.com

Technical data**Dimensions and weights**

| | | | |
|------------|---------|-----------------|------------|
| Width | 27.2 mm | Width (inches) | 1.071 inch |
| Height | 73.5 mm | Height (inches) | 2.894 inch |
| Depth | 41.5 mm | Depth (inches) | 1.634 inch |
| Net weight | 56.4 g | | |

Temperatures

| | | | |
|-----------------------------|--|-----------------------------|----------------|
| Humidity | 40 °C / 93 % rel. humidity, no condensation | Operating temperature, max. | 70 °C |
| Operating temperature, min. | -40 °C | Storage temperature, max. | 70 °C |
| Storage temperature, min. | -40 °C | Operating temperature | -40 °C...70 °C |
| Storage temperature | -40 °C...70 °C | | |

Environmental Product Compliance

| | |
|------------|----------------|
| REACH SVHC | Lead 7439-92-1 |
|------------|----------------|

Rated data UL

| | |
|-------------------------|---------|
| Certificate No. (cURus) | E223759 |
|-------------------------|---------|

Output

| | | | |
|-------------------------|----------|----------------------------|-------|
| Rated switching voltage | 250 V AC | Max. switching voltage, AC | 250 V |
| Continuous current | 6 A | | |

Contact data

| | |
|--------------|--------------|
| Contact type | 4 CO contact |
|--------------|--------------|

General data

| | | | |
|---------|-------------|---------------------------|-------|
| Version | flat design | Rail | TS 35 |
| Colour | black | UL 94 flammability rating | V-0 |

Insulation coordination

| | | | |
|---|--------------------------------|---|-----------------------------|
| Rated voltage | 250 V | Surge voltage category | III |
| Pollution severity | 2 | Insulating material group | IIIa |
| Protection degree | IP20 | Type of isolation at input and output | Basic insulation |
| Dielectric strength, Input/Output | 2.5 kV _{eff} / 1 Min. | Creepage and clearance distance input - output | ≥ 4 mm |
| Type of isolation at neighbouring contacts | Basic insulation | Dielectric strength of neighbouring contacts | 2 kV _{eff} / 1 min |
| Dielectric strength of open contact | 1.2 kV _{eff} / 1 min. | | |

Further details of approvals / standards

| | | | |
|-------------------------|--------------------|-----------------------|----------------|
| Standards | IEC 61810-1, UL508 | Certificate No. (CSA) | 249409-2295474 |
| Certificate No. (cURus) | E223759 | | |

**RIDERSERIES RCM
SCM-I 4CO N**

Weidmüller Interface GmbH & Co. KG
Klingenbergstraße 26
D-32758 Detmold
Germany
Fon: +49 5231 14-0
Fax: +49 5231 14-292083
www.weidmueller.com

Technical data
Connection data

| | | | |
|---|---------------------|---|-------------------|
| Wire connection method | Screw connection | Stripping length, rated connection | 8 mm |
| Tightening torque, min. | 0.5 Nm | Tightening torque, max. | 0.7 Nm |
| Clamping range, rated connection | 2.5 mm ² | Clamping range, min. | 1 mm ² |
| Clamping range, max. | 2.5 mm ² | Wire cross-section, solid, min. | 1 mm ² |
| Wire cross-section, solid, max. | 2.5 mm ² | Wire connection cross-section, finely stranded, min. | 1 mm ² |
| Wire connection cross section, finely stranded, max. | 2.5 mm ² | Wire connection cross-section, finely stranded with wire-end ferrules DIN 46228/4, min. | 1 mm ² |
| Wire connection cross-section, finely stranded with wire-end ferrules DIN 46228/4, max. | 2.5 mm ² | Conductor cross-section, flexible, AEH (DIN 46228-1), min. | 1 mm ² |
| Conductor cross-section, flexible, AEH (DIN 46228-1), max. | 2.5 mm ² | Wire connection cross section, finely stranded, two clampable wires, min. | 1 mm ² |
| Wire cross-section, finely stranded, two clampable wires, max. | 1.5 mm ² | Blade size | size PZ1 |

Classifications

| | | | |
|-------------|-------------|------------|-------------|
| ETIM 6.0 | EC001456 | ETIM 7.0 | EC001456 |
| eClass 9.0 | 27-37-16-03 | eClass 9.1 | 27-37-16-03 |
| eClass 10.0 | 27-37-16-03 | UNSPSC | 30-21-19-17 |

Product information

Product information IP20 without connected conductor at complete opened clamping yoke connection.

Approvals

Approvals



ROHS Conform

Downloads

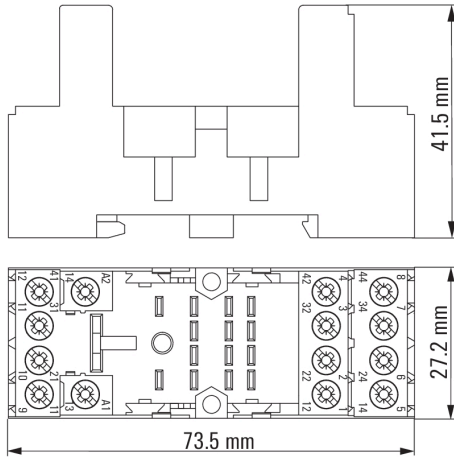
| | |
|---|---|
| Approval/Certificate/Document of Conformity | EU Konformitätserklärung / EU Declaration of Conformity |
| Brochure/Catalogue | CAT 4.2 ELECTR 18/19 EN |
| Engineering Data | EPLAN, WSCAD |
| Engineering Data | STEP |

**RIDERSERIES RCM
SCM-I 4CO N**

Weidmüller Interface GmbH & Co. KG
 Klingenbergstraße 26
 D-32758 Detmold
 Germany
 Fon: +49 5231 14-0
 Fax: +49 5231 14-292083
 www.weidmueller.com

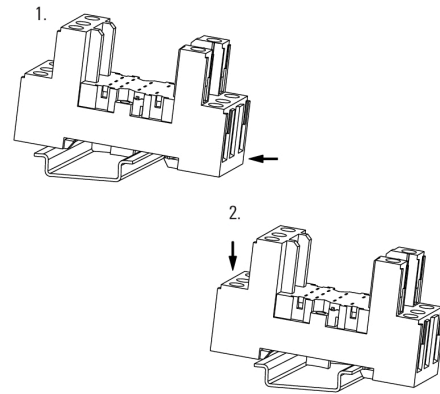
Drawings

Dimensional drawing



Miscellaneous

Snap on socket



Unlatching socket

