

OMNIMATE Power Through-Panel Terminals

OMNIMATE Power Through-Panel Terminals

Through-Panel Terminals for devices series WGK -
connects up to 95 mm²

Explanation	G.2
System overview	G.4
Technical data	G.8

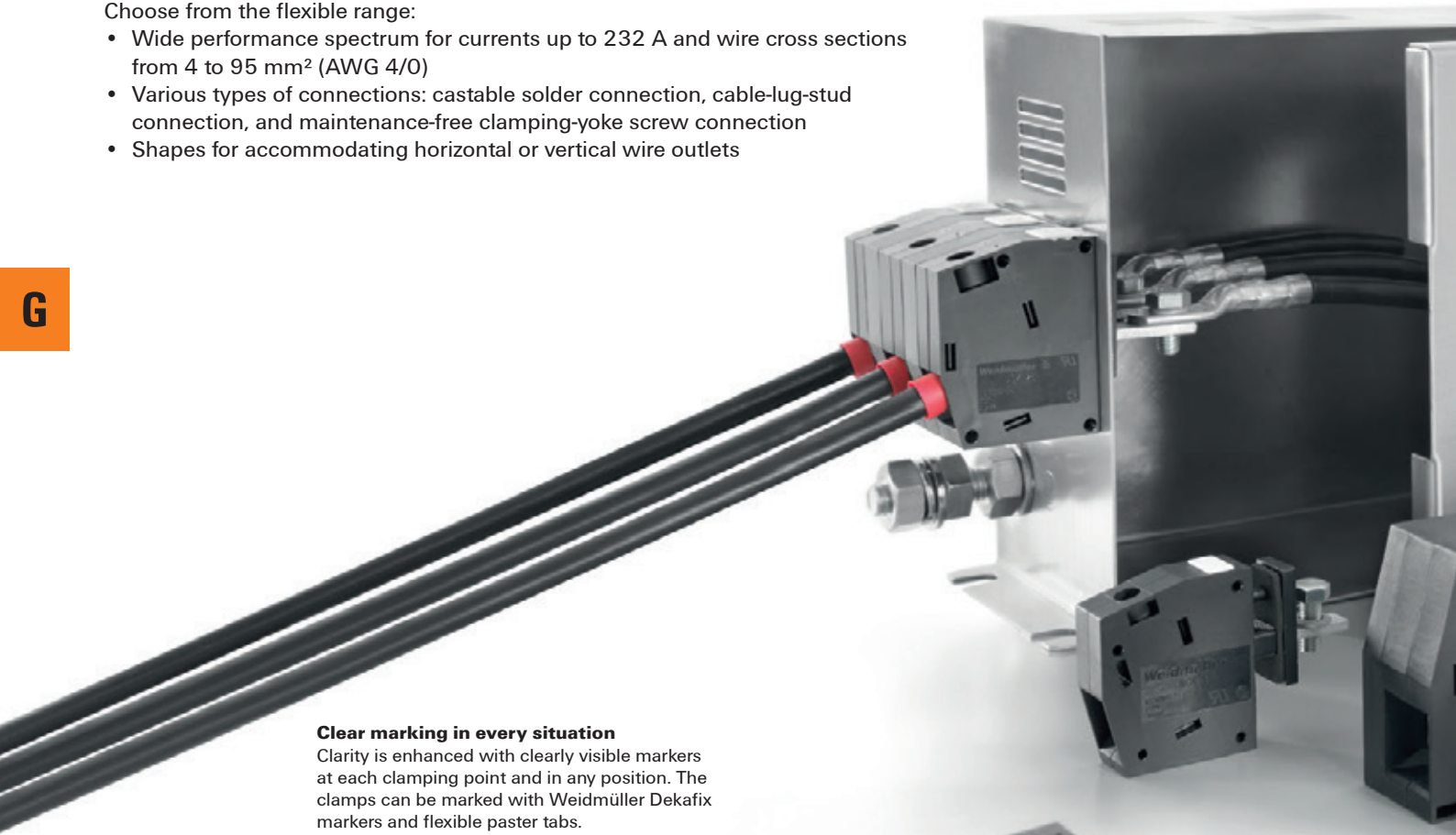
Through-Panel Terminals WGK - OMNIMATE Power

The universal solution to feed power through housing walls. Excellent for applications such as EMC filters, power supplies, frequency converters for drive systems and more encapsulated devices.

Choose from the flexible range:

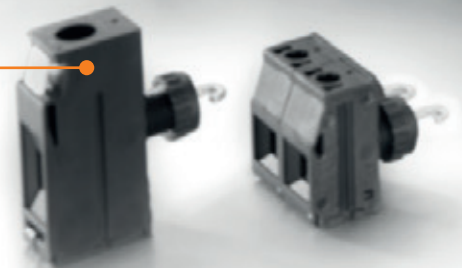
- Wide performance spectrum for currents up to 232 A and wire cross sections from 4 to 95 mm² (AWG 4/0)
- Various types of connections: castable solder connection, cable-lug-stud connection, and maintenance-free clamping-yoke screw connection
- Shapes for accommodating horizontal or vertical wire outlets

G



Clear marking in every situation

Clarity is enhanced with clearly visible markers at each clamping point and in any position. The clamps can be marked with Weidmüller Dekafix markers and flexible paster tabs.



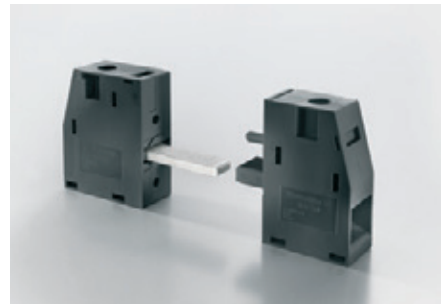
Safety with extra power

The high-performance insulating material WEMID meets maximum system availability requirements: With an RTI (relative temperature index) of 120 °C, the OMNIMATE power Through-Panel Terminals exceed the highest continued use temperature of standard PA (100 °C) at +20° K, thus creating more power reserves and maximum safety with temperature fluctuations and overloads



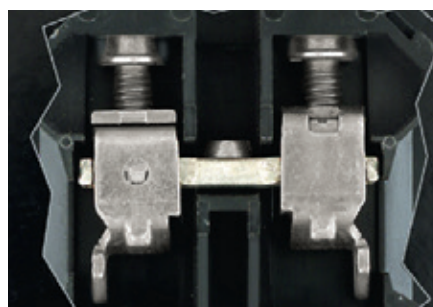
Easy handling

WGK series lead-through terminals consist of an inside and outside component that are easily locked with one another through the housing wall without any tools.



Solid and proven connection

Connections proven a million times. The terminal unit consists of hardened steel, for very high contact force. The current bar is made of copper, which gives a low voltage drop. The tin-plated surface ensures minimum contact resistances.



WGK-series system overview

WGK



Easy installation

WGK series feedthrough terminals consist of an inside and outside component that are easily locked with one another through the housing wall without any tools.

VWGK



WGK...VP



WGK...WGKV



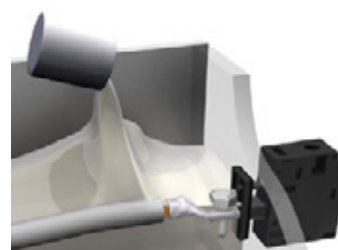
Maximum freedom of design

Different types of connection on the inside such as a castable soldering connection (VWGK...), cable lug bolt connection (WGK ...VP) and a no-service clamping yoke-screw connection (WGK...) provide the optimum connection in any installation situation.

Weidmüller offers two models with a horizontal (WGK) and vertical (WGKV) outgoing direction to adapt the conductor guide to the given installation conditions.

The VP and VWGK models of the WGK lead-through terminals with an insulating housing and clamping yoke connection on the outside are enhanced for use in encapsulated and cast equipment (such as EMV filters).

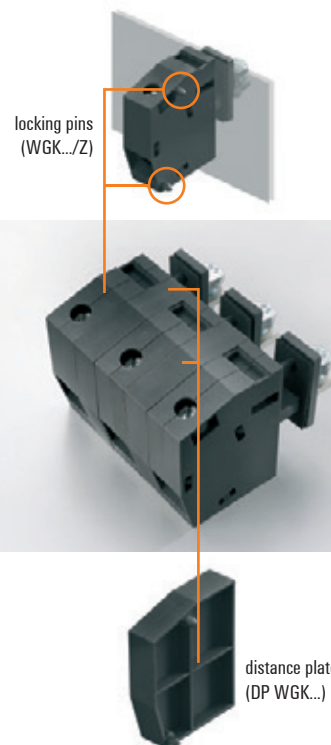
These products are developed for 100 % sealing in completely cast units.



All Through-Panel Terminals terminals are available with pins (WGK.../Z) for easy locking. Multi-pole blocks can be built up quickly and easily.

Clearance and creepage distances to other components must be devised in accordance with the relevant application standard. This can be achieved in the device by full encapsulation or by the use of additional spacer plates.

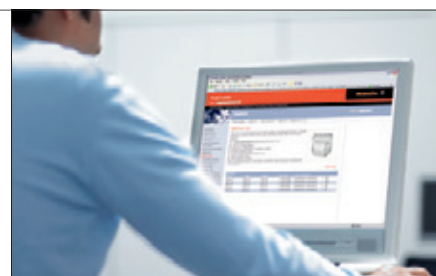
Distance plates (DP WGK...) can be easily mounted with locking pins.



Fast and easy design in online CAD models. The CAD models for OMNIMATE Power WGK lead-through terminals can be found in Weidmüller's online catalogue and in the PART community.

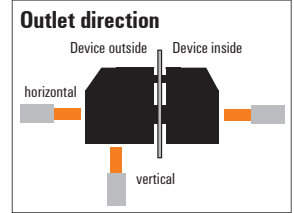
<http://catalog.weidmueller.com/>

<http://weidmueller.partcommunity.com/>



<http://www.OMNIMATE.net>

- = 300 V (UL) / 250 V (IEC)
- = 600 V (UL) / 690 V (IEC)
- = 600 V (UL) / 1.000 V (IEC)
- * = 600 V acc. to UL 508 / UL 840



Through-Panel terminals - WGK

Device Outside	Device Inside	Clamping range IEC	Max. rated voltage IEC		
Type of connection	Type of connection	Clamping range UL	Nominal current UL	Tipo	Outlet direction
 Screw Clamping yoke	 Solder connection	0,5 - 6 mm ² 30 - 10 AWG	32 A 30 A		VWGK 4 horizontal
		0,5 - 10 mm ² 22 - 10 AWG	41 A 50 A		VWGK 6 horizontal
 Screw Clamping yoke	 Screw Clamping yoke	0,5 - 6 mm ² 30 - 10 AWG	32 A 30 A		WGK 4 WGKV 4 horizontal vertical
		0,5 - 16 mm ² 24 - 6 AWG	57 A 65 A		WGK 10 WGKV 10 horizontal vertical
 Screw Clamping yoke	 Cable lug	0,5 - 25 mm ² 20 - 4 AWG	76 A 85 A		WGK 16 WGKV 16 horizontal vertical
					WGK 16 VP horizontal
 Screw Clamping yoke	 Cable lug	6 - 34 mm ² 10 - 3 AWG	101 A 100 A		WGK 25 WGKV 25 horizontal vertical
					WGK 25 VP horizontal
 Screw Clamping yoke	 Cable lug	16 - 50 mm ² 6 - 1/0 AWG	150 A 145 A		WGK 50 horizontal
					WGK 50 VP horizontal
 Screw Clamping yoke	 Cable lug	35 - 95 mm ² 4 - 4/0 AWG	232 A 230 A		WGK 95 horizontal
					WGK 95 F VP horizontal

G

Max. rated voltage IEC	400 V	690 V	1.000 V
	Nominal voltage UL	600 V	
	○	*	
	○	*	
	○	*	
	○	*	
		●	
		●	
		●	
		●	
		●	
		●	
			●
			●

Through-Panel Terminals for devices
Series WGK – connects up to 95 mm²

WGK 4

4 mm²

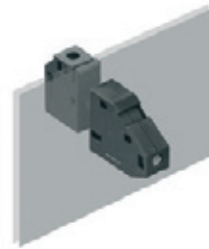
Screw connection



WGKV 4

4 mm²

Screw connection



Width/Length/External height	mm
Max. current / Max. wire	A/mm ²
Max. clamping range	mm ²

8.1 x 35.5 x 21.5
41 / 6
0.05...6

8.1 x 40 x 24
41 / 6
0.05...6

Technical data

Rated data	
Rated voltage	V
Rated current	A
For conductor cross-section	mm ²
Rated impulse withstand voltage / Pollution severity	-/-
Gauge to IEC 60947-1 / UL 94 flammability rating	
Approvals	
Clamped conductors (H05V/H07V)	
Solid / Stranded	mm ²
Flexible / Stranded wire with end ferrules	mm ²
Tightening torque (terminal screw)	Nm
Stripping length / Blade size	mm/-

IEC 60947-7-1

IEC	UL / CUL	CSA
250	300	300
32	30	30
4	AWG 30...10	AWG 30...10
6 kV / 3 A3 / V-0		
CE; CSA; CURUS; GOSTME25; ROHS		
Rated connection		
0.5...6		
0.5...4 / 0.5...4		
0.6...0.8 (M 3)		
8 / 0.6 x 3.5 mm		

IEC 60947-7-1

IEC	UL / CUL	CSA
250	300	300
32	30	30
4	AWG 30...10	AWG 30...10
6 kV / 3 A3 / V-0		
CE; CSA; CURUS; GOSTME25; ROHS		
Rated connection		
0.5...6		
0.5...4 / 0.5...4		
0.6...0.8 (M 3)		
8 / 0.6 x 3.5 mm		

Note

Metal walls: 1 - 2.5 mm = 400 V; 2.5 - 4 mm = 250 V; plastic walls: 1 - 4 mm = 500 V

Metal walls: 1 - 2.5 mm = 400 V; 2.5 - 4 mm = 250 V; plastic walls: 1 - 4 mm = 500 V

Ordering data

Version	
With locking pins	grey
With locking pins	green/yellow
With locking pins	black
Without locking pins	grey
Without locking pins	green/yellow
Without locking pins	black

Type	Qty.	Order No.
WGK 4/Z	50 ST	1936570000
WGK 4/Z gn/ye	50 ST	1936560000
WGK 4/Z SW	50 ST	1250940000
WGK 4	50 ST	1936550000
WGK 4 GN/YE	50 ST	1936540000
WGK 4 SW	50 ST	1250930000

Type	Qty.	Order No.
WGKV 4/Z	50 ST	1936630000
WGKV 4/Z gn/ye	50 ST	1936620000
WGKV 4/Z SW	50 ST	1250960000
WGKV 4	50 ST	1934050000
WGKV 4 gn/ye	50 ST	1936610000
WGKV 4 SW	50 ST	1250950000

Note

Accessories

Distance plate



Type	Qty.	Order No.
DP WGK 4	50	1936450000
DP WGK 4 SW	50	1297840000

Type	Qty.	Order No.
DP WGKV 4	50	1936470000

Screwdriver



Standard

Type	Qty.	Order No.
SDIS 0.6X3.5X100	1	9008390000

Type	Qty.	Order No.
SDIS 0.6X3.5X100	1	9008390000

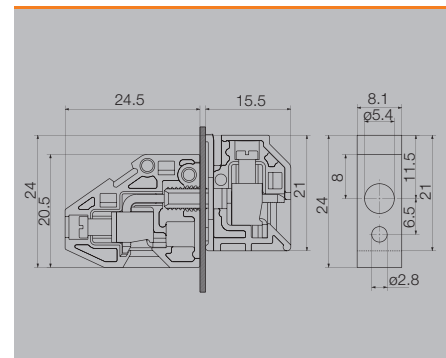
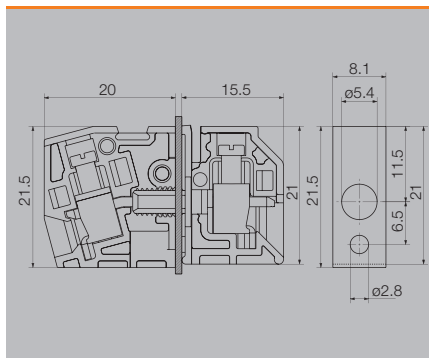
Identification systems (see assortment in catalogue 7)
 Marking tags

DEK 5/5 / DEK 5/6 / DEK 5/8

DEK 5/5 / DEK 5/6 / DEK 5/8

For detailed information on other accessories and applications, refer to the „Accessories“ section

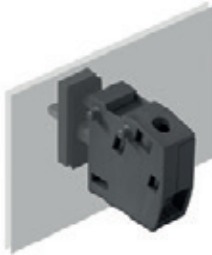
Technical drawing



WGK 4 VP

4 mm²

Solder connection



8.1 x 20 x 20.5
41 / 6
0.22...6

IEC 60947-7-1

IEC	UL / CUL	CSA
250	300	300
32	30	30
4	AWG 30...10	AWG 30...10
6 kV / 3 A3 / V-0		
CE; CSA; CURUS; GOSTME25; ROHS		

Rated connection

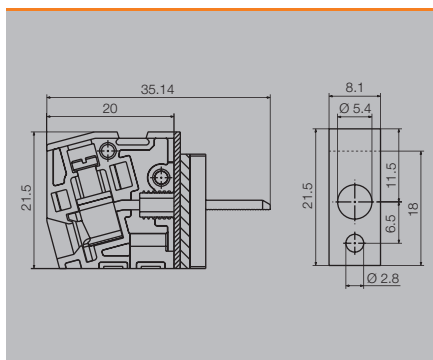
0.5...6 / 0.5...4
0.5...4 / 0.5...4
0.6...0.8 (M 3)
8 / 0.6 x 3.5 mm

Metal walls: 1 - 4 mm = 500 V Plastic walls: 1 - 4 mm = 500 V

Type	Qty.	Order No.
WGK 4 VP/Z	50	1003910000
WGK 4 VP/Z GN/YE	50	1003900000
WGK 4 VP/Z BK	50	1339810000
WGK 4 VP	50	1981890000
WGK 4 VP GN/YE	50	1003890000
WGK 4 VP BK	50	1339790000

Type	Qty.	Order No.
DP WGK 4	50	1936450000
SDIS 0.6X3.5X100	1	9008390000

DEK 5/5 / DEK 5/6 / DEK 5/8



WGK 10

10 mm²

Screw connection



10.1 x 43.3 x 31.4
76 / 16
0.21...16

IEC 60947-7-1

IEC	UL / CUL	CSA
250	300	300
57	65	65
10	AWG 24...6	AWG 24...6
6 kV / 3 B6 / V-0		
CE; CSA; CURUS; GOSTME25; ROHS		

Rated connection

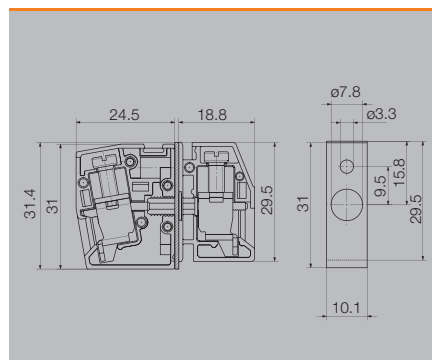
0.5...16 / 0.5...16
0.5...10 / 0.5...10
1.2...1.8 (M 4)
11 / 0.8 x 4.0 mm

Metal walls: 1 - 2.5 mm = 400 V; 2.5 - 4 mm = 250 V; plastic walls: 1 - 4 mm = 500 V

Type	Qty.	Order No.
WGK 10/Z	50 ST	1936530000
WGK 10/Z gn/ye	50 ST	1936520000
WGK 10/Z SW	50 ST	1250890000
WGK 10	50 ST	1936510000
WGK 10 GN/YE	50 ST	1936500000
WGK 10 SW	50 ST	1250880000

Type	Qty.	Order No.
DP WGK 10 SW	50	1250570000
DP WGK 10	50	1936440000
SDIS 0.8X4.0X100	1	9008400000

DEK 5/5 / DEK 5/6 / DEK 5/8



WGKV 10

10 mm²

Screw connection



10.1 x 49.8 x 32.8
76 / 16
0.21...16

IEC 60947-7-1

IEC	UL / CUL	CSA
250	300	300
57	65	65
10	AWG 24...6	AWG 24...6
6 kV / 3 B6 / V-0		
CE; CSA; CURUS; GOSTME25; ROHS		

Rated connection

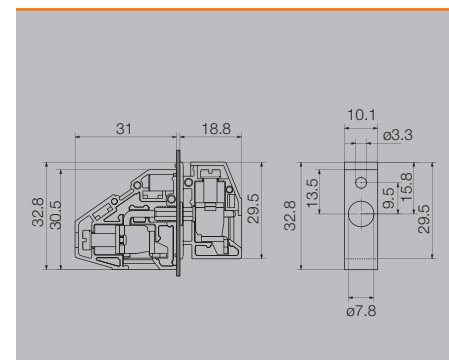
0.5...16 / 0.5...16
0.5...10 / 0.5...10
1.2...1.8 (M 4)
11 / 0.8 x 4.0 mm

Metal walls: 1 - 2.5 mm = 400 V; 2.5 - 4 mm = 250 V; plastic walls: 1 - 4 mm = 500 V

Type	Qty.	Order No.
WGKV 10/Z	50 ST	1936600000
WGKV 10/Z gn/ye	50 ST	1936590000
WGKV 10/Z SW	50 ST	1250920000
WGKV 10	50 ST	1934060000
WGKV 10 gn/ye	50 ST	1936580000
WGKV 10 SW	50 ST	1250910000

Type	Qty.	Order No.
SDIS 0.8X4.0X100	1	9008400000

DEK 5/5 / DEK 5/6 / DEK 5/8

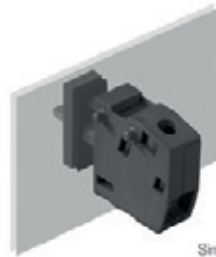


Through-Panel Terminals for devices
Series WGK – connects up to 95 mm²

WGK 10 VP

10 mm²

Solder connection



Similar to illustration

Width/Length/External height	mm
Max. current / Max. wire	A/mm ²
Max. clamping range	mm ²

10.1 x 24.5 x
76 / 10
0.22...10

Technical data

Rated data	
Rated voltage	V
Rated current	A
For conductor cross-section	mm ²
Rated impulse withstand voltage / Pollution severity	-/-
Gauge to IEC 60947-1 / UL 94 flammability rating	
Approvals	
Clamped conductors (H05V/H07V)	
Solid / Stranded	mm ²
Flexible / Stranded wire with end ferrules	mm ²
Tightening torque (terminal screw)	Nm
Stripping length / Blade size	mm/-

IEC 60947-7-1

IEC	UL / CUL	CSA
250	300	300
57	65	65
10	AWG 24...6	AWG 24...6
4 kV / 3 B6 / V-0		
CE; CSA; CURUS; GOSTME25; ROHS		

Rated connection	
Solid / Stranded	mm ²
Flexible / Stranded wire with end ferrules	mm ²
Tightening torque (terminal screw)	Nm
Stripping length / Blade size	mm/-

Note

Metal walls: 1 - 4 mm = 500 V Plastic walls: 1 - 4 mm = 500 V

Ordering data

Version	
With locking pins	grey
With locking pins	green/yellow
With locking pins	black
Without locking pins	grey
Without locking pins	green/yellow
Without locking pins	black

Note

Type	Qty.	Order No.
WGK 10 VP/Z	50	1003920000
WGK 10 VP/Z GN/YE	50	1003970000
WGK 10 VP	50	1981880000
WGK 10 VP GN/YE	50	1003960000

Accessories

Distance plate



Screwdriver



Standard

Identification systems (see assortment in catalogue 7)

Marking tags

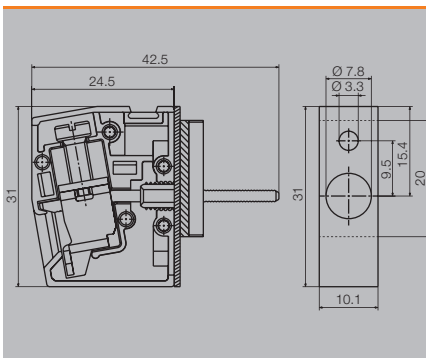
For detailed information on other accessories and applications, refer to the „Accessories“ section

Type	Qty.	Order No.
DP WGK 10 SW	50	1250570000
DP WGK 10	50	1936440000

Type	Qty.	Order No.
SDIS 0.8X4.0X100	1	9008400000

DEK 5/5 / DEK 5/6 / DEK 5/8

Technical drawing



WGK 16

16 mm²

Screw connection



12.1 x 63.5 x 40.4
101 / 25
0.5...25

IEC 60947-7-1

IEC	UL / CUL	CSA
500	600	600
76	85	85
16	AWG 20...4	AWG 20...4
6 kV / 3 B7 / V-0		
CE; CSA; CURUS; GOSTME25; ROHS		

Rated connection	
Solid / Stranded	mm ²
Flexible / Stranded wire with end ferrules	mm ²
Tightening torque (terminal screw)	Nm
Stripping length / Blade size	mm/-

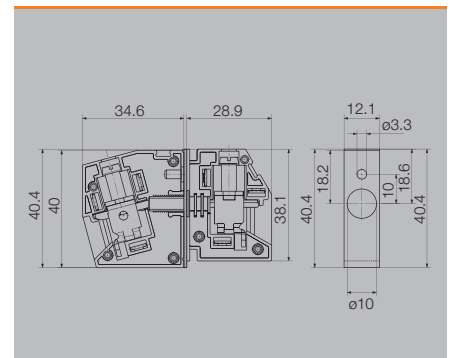
Metal walls: 1 - 2.5 mm = 800 V; 2.5 - 4 mm = 690 V; 4 - 6 mm = 500 V; plastic walls: 1 - 6 mm = 800 V

Type	Qty.	Order No.
WGK 16/Z	50 ST	1936830000
WGK 16/Z gn/ye	50 ST	1936820000
WGK 16/Z SW	50 ST	1250870000
WGK 16	50 ST	1936810000
WGK 16 gn/ye	50 ST	1936760000
WGK 16 SW	50 ST	1250860000

Type	Qty.	Order No.
DP WGK 16 SW	50	1250580000
DP WGK 16	50	1936700000

Type	Qty.	Order No.
SDIS 1.0X5.5X125	1	9008410000

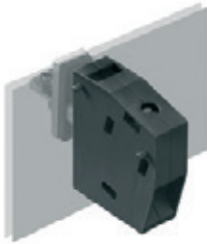
DEK 5/5 / DEK 5/6 / DEK 5/8



WGK 16 VP

16 mm²

Cable lug connection



12.1 x 34.6 x 40
101 / 25
0.5...25

IEC 60947-7-1

IEC	UL / CUL	CSA
500	600	600
76	85	85
16	AWG 20...4	AWG 20...4
6 kV / 3 B7 / V-0		
CE; CSA; CURUS; GOSTME25; ROHS		

Rated connection

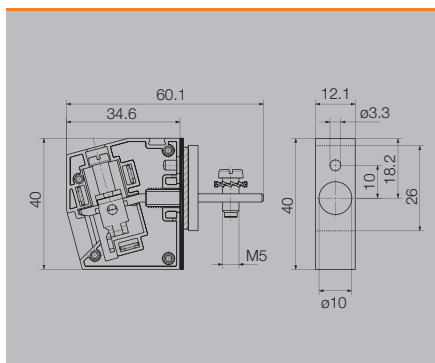
0.5...16 / 10...25
0.5...16
2...2.3 (M 5)
16 / 1.0 x 5.5 mm

Metal walls: 1 - 2.5 mm = 800 V; 2.5 - 4 mm = 690 V; 4 - 6 mm = 500 V;
plastic walls: 1 - 6 mm = 800 V

Type	Qty.	Order No.
WGK 16 VP/Z	50 ST	1936800000
WGK 16 VP/Z GN/YE	50 ST	1936790000
WGK 16 VP/Z SW	50 ST	1250830000
WGK 16 VP	50 ST	1936780000
WGK 16 VP GN/YE	50 ST	1936770000
WGK 16 VP SW	50 ST	1250820000

Type	Qty.	Order No.
DP WGK 16 SW	50	1250580000
DP WGK 16	50	1936700000
SDIS 1.0X5.5X125	1	9008410000

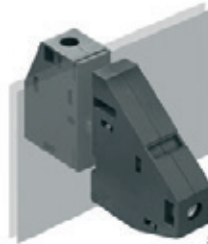
DEK 5/5 / DEK 5/6 / DEK 5/8



WGKV 16

16 mm²

Screw connection



Similar to illustration

12.1 x 63.5 x 39.7
101 / 25
0.5...25

IEC 60947-7-1

IEC	UL / CUL	CSA
500	600	600
76	85	85
16	AWG 20...4	AWG 20...4
6 kV / 3 B7 / V-0		
CE; CSA; CURUS; GOSTME25; ROHS		

Rated connection

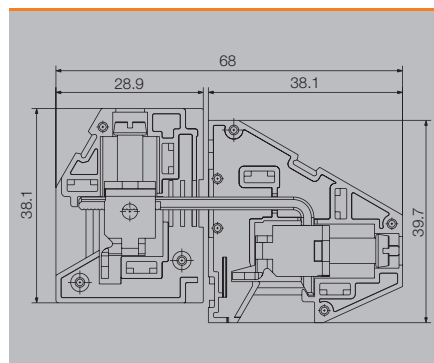
0.5...16 / 10...25
0.5...16 / 0.5...16
2...2.3 (M 5)
16 / 1.0 x 5.5 mm

Metal walls: 1 - 2.5 mm = 800 V; 2.5 - 4 mm = 690 V; 4 - 6 mm = 500 V;
plastic walls: 1 - 6 mm = 800 V

Type	Qty.	Order No.
WGKV 16/Z	50 ST	1003940000
WGKV 16/Z GN/YE	50 ST	1003930000
WGKV 16/Z SW	50 ST	1250850000
WGKV 16	50 ST	1003880000
WGKV 16 GN/YE	50 ST	1003950000
WGKV 16 SW	50 ST	1250840000

Type	Qty.	Order No.
SDIS 1.0X5.5X125	1	9008410000

DEK 5/5 / DEK 5/6 / DEK 5/8



WGK 25

25 mm²

Screw connection



15.1 x 68.5 x 48.5
125 / 35
5.26...35

IEC 60947-7-1

IEC	UL / CUL	CSA
690	600	600
101	100	100
25	AWG 10...3	AWG 10...3
6 kV / 3 B8 / V-0		
CE; CSA; CURUS; GOSTME25; ROHS		

Rated connection

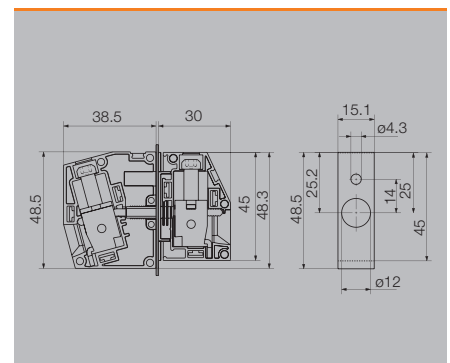
6...16 / 10...35
10...25 / 4...25
4...4.5 (M 6)
18 / 1.2 x 6.5 mm

Metal walls: 1 - 4 mm = 800 V; 4 - 6 mm = 690 V; plastic walls: 1 - 6 mm = 800 V

Type	Qty.	Order No.
WGK 25/Z	50 ST	1936910000
WGK 25/Z GN/YE	50 ST	1936900000
WGK 25/Z SW	50 ST	1250810000
WGK 25	50 ST	1936850000
WGK 25 GN/YE	50 ST	1936840000
WGK 25 SW	50 ST	1250790000

Type	Qty.	Order No.
DP WGK 25 SW	50	1250590000
DP WGK 25	50	1936710000
SDIS 1.2X6.5X150	1	9008420000

DEK 5/5 / DEK 5/6 / DEK 5/8

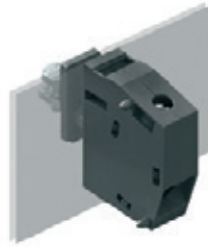


Through-Panel Terminals for devices
Series WGK – connects up to 95 mm²

WGK 25 VP

25 mm²

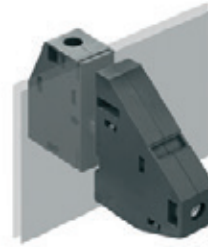
Cable lug connection



WGKV 25

25 mm²

Screw connection



Similar to illustration

Width/Length/External height	mm
Max. current / Max. wire	A/mm ²
Max. clamping range	mm ²

15.1 x 38.5 x 48.5
125 / 35
5.26...35

15.1 x 75.75 x 54
125 / 35
5.26...35

Technical data

Rated data	
Rated voltage	V
Rated current	A
For conductor cross-section	mm ²
Rated impulse withstand voltage / Pollution severity	-/
Gauge to IEC 60947-1 / UL 94 flammability rating	
Approvals	
Clamped conductors (H05V/H07V)	
Solid / Stranded	mm ²
Flexible / Stranded wire with end ferrules	mm ²
Tightening torque (terminal screw)	Nm
Stripping length / Blade size	mm/-

IEC 60947-7-1

IEC	UL / CUL	CSA
690	600	600
101	100	100
25	AWG 10...3	AWG 10...3
6 kV / 3		
B8 / V-0		
CE; CSA; CURUS; GOSTME25; ROHS		
Rated connection		
6...16 / 10...35		
10...25 / 4...25		
4...4.5 (M 6)		
18 / 1.2 x 6.5 mm		

IEC 60947-7-1

IEC	UL / CUL	CSA
690	600	600
101	100	100
25	AWG 10...3	AWG 10...3
6 kV / 3		
B8 / V-0		
CE; CSA; CURUS; GOSTME25; ROHS		
Rated connection		
6...16 / 10...35		
10...25 / 4...25		
4...4.5 (M 6)		
18 / 1.2 x 6.5 mm		

Note

Metal walls: 1 - 4 mm = 800 V; 4 - 6 mm = 690 V; plastic walls: 1 - 6 mm = 800 V

Metal walls: 1 - 4 mm = 800 V; 4 - 6 mm = 690 V; plastic walls: 1 - 6 mm = 800 V

Ordering data

With assembly peg	
With locking pins	grey
With locking pins	green/yellow
With locking pins	black
Without locking pins	grey
Without locking pins	green/yellow
Without locking pins	black

Note

Type	Qty.	Order No.
WGK 25 VP/Z	50 ST	1936890000
WGK 25 VP/Z GN/YE	50 ST	1936880000
WGK 25 VP/Z SW	50 ST	1250760000
WGK 25 VP	50 ST	1936870000
WGK 25 VP GN/YE	50 ST	1936860000
WGK 25 VP SW	50 ST	1250750000

Type	Qty.	Order No.
WGKV 25/Z	25 ST	1936750000
WGKV 25/Z gn/ye	25 ST	1936740000
WGKV 25/Z SW	25 ST	1250780000
WGKV 25	25 ST	1934070000
WGKV 25 gn/ye	25 ST	1936720000
WGKV 25 SW	25 ST	1250770000

Accessories

Distance plate



Screwdriver



Standard

Identification systems (see assortment in catalogue 7)

Marking tags

For detailed information on other accessories and applications, refer to the „Accessories“ section

Type	Qty.	Order No.
DP WGK 25 SW	50	1250590000
DP WGK 25	50	1936710000

Type	Qty.	Order No.
SDIS 1.2X6.5X150	1	9008420000

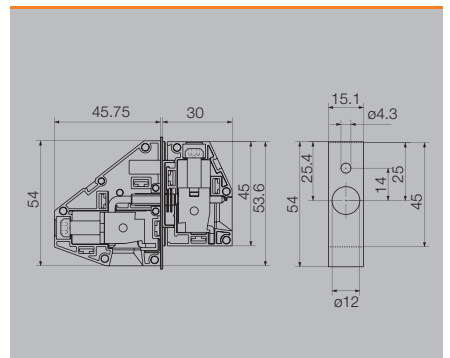
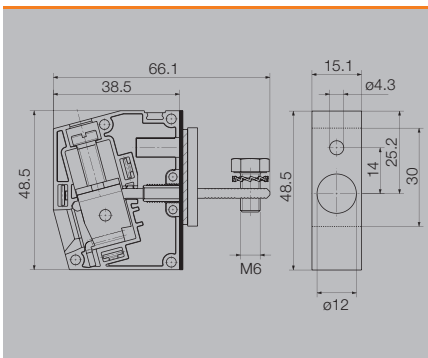
DEK 5/5 / DEK 5/6 / DEK 5/8

Type	Qty.	Order No.

Type	Qty.	Order No.
SDIS 1.2X6.5X150	1	9008420000

DEK 5/5 / DEK 5/6 / DEK 5/8

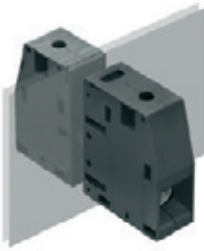
Technical drawing



WGK 50

50 mm²

Screw connection



18.8 x 78 x 55
150 / 50
13.3...50

IEC 60947-7-1

IEC	UL / CUL	CSA
690	600	600
150	145	145
50	AWG 6...1	AWG 6...1

8 kV / 3
B10 / V-0

CE; CSA; CURUS; GOSTME25; ROHS

Rated connection

...16 / 16...50
16...50 / 10...50
4...6.5 (M 6)
24 / 1.2 x 8.0 mm

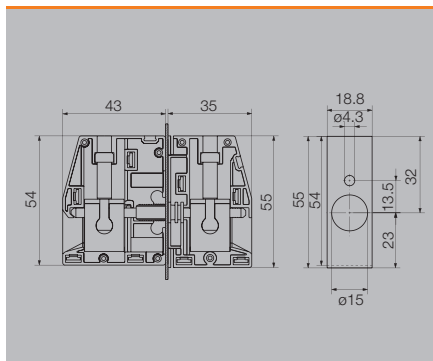
Metal walls: 1 - 2.5 mm = 800 V; 2.5 - 6 mm = 690 V; plastic walls: 1 - 6 mm = 800 V

Type	Qty.	Order No.
WGK 50/Z	10 ST	1937110000
WGK 50/Z GN/YE	10 ST	1937100000
WGK 50/Z SW	10 ST	1250740000
WGK 50	10 ST	1937090000
WGK 50 GN/YE	10 ST	1937040000
WGK 50 SW	10 ST	1250730000

Type	Qty.	Order No.
DP WGK 50 SW	10	1250610000
DP WGK 50	10	1937030000

Type	Qty.	Order No.
SDIS 1.2X6.5X150	1	9008420000

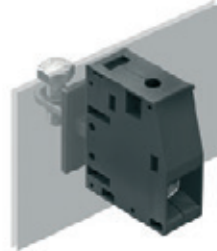
DEK 5/5 / DEK 5/6 / DEK 5/8



WGK 50 VP

50 mm²

Cable lug connection



18.8 x 43 x 54
150 / 50
16...50

IEC 60947-7-1

IEC	UL / CUL	CSA
690	600	600
150	150	150
50	AWG 6...1	AWG 6...1

8 kV / 3
B10 / V-0

CE; CSA; CURUS; GOSTME25; ROHS

Rated connection

16...16 / 16...50
16...50 / 10...50
4...6.5 (M 6)
24 / 1.2 x 8.0 mm

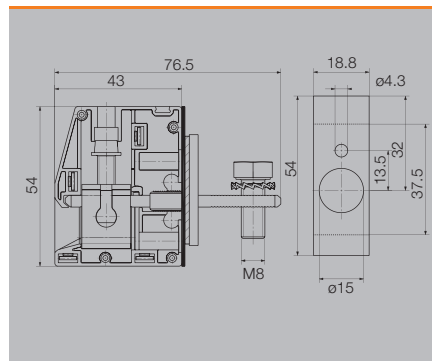
Metal walls: 1 - 2.5 mm = 800 V; 2.5 - 6 mm = 690 V; plastic walls: 1 - 6 mm = 800 V

Type	Qty.	Order No.
WGK 50 VP/Z	10 ST	1937080000
WGK 50 VP/Z GN/YE	10 ST	1937070000
WGK 50 VP/Z SW	10 ST	1250720000
WGK 50 VP	10 ST	1937060000
WGK 50 VP GN/YE	10 ST	1937050000
WGK 50 VP SW	10 ST	1250710000

Type	Qty.	Order No.
DP WGK 50 SW	10	1250610000
DP WGK 50	10	1937030000

Type	Qty.	Order No.
SDIS 1.2X6.5X150	1	9008420000

DEK 5/5 / DEK 5/6 / DEK 5/8



WGK 95

95 mm²

Screw connection



25 x 95 x 74
232 / 95
35...95

IEC 60947-7-1

IEC	UL / CUL	CSA
690	600	600
232	230	230
95	AWG 4...4	AWG 4...4

8 kV / 3
B12 / V-0

CE; CSA; CURUS; GOSTME25; ROHS

Rated connection

/ 35...95
35...95 / 35...95
15...20 M8/Hexagon
27 /

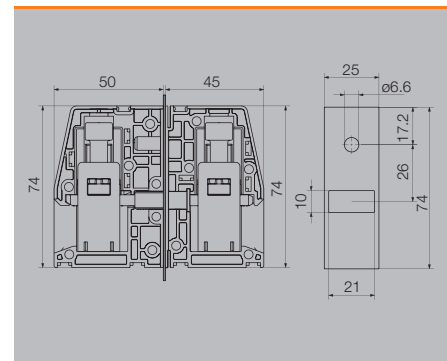
Metal walls: 1 - 2.5 mm = 1000V; 2.5 - 4 mm = 800 V; 4 - 6 mm = 690 V; plastic walls: 1 - 6 mm = 1000 V

Type	Qty.	Order No.
WGK 95/Z	10 ST	1937400000
WGK 95/Z GN/YE	10 ST	1937390000
WGK 95/Z SW	10 ST	1250690000
WGK 95	10 ST	1937380000
WGK 95 GN/YE	10 ST	1937370000
WGK 95 SW	10 ST	1250680000

Type	Qty.	Order No.
DP WGK 95 SW	10	1250620000
DP WGK 95	10	1937020000

Type	Qty.	Order No.
SDIS 1.2X6.5X150	1	9008420000

DEK 5/5 / DEK 5/6 / DEK 5/8



Through-Panel Terminals for devices
Series WGK – connects up to 95 mm²

WGK 95 F VP

95 mm²

Cable lug connection



Width/Length/External height	mm
Max. current / Max. wire	A/mm ²
Max. clamping range	mm ²

25 x 49.5 x 74
232 / 95
35...95

Technical data

Rated data	
Rated voltage	V
Rated current	A
For conductor cross-section	mm ²
Rated impulse withstand voltage / Pollution severity	-/-
Gauge to IEC 60947-1 / UL 94 flammability rating	
Approvals	
Clamped conductors (H05V/H07V)	
Solid / Stranded	mm ²
Flexible / Stranded wire with end ferrules	mm ²
Tightening torque (terminal screw)	Nm
Stripping length / Blade size	mm/-

IEC 60947-7-1

IEC	UL / CUL	CSA
690	600	600
232	230	230
95	AWG 4...4	AWG 4...4
8 kV / 3		
B12 / V-0		
CE; CSA; CURUS; GOSTME25; ROHS		

Rated connection	
/ 35...95	
35...95 / 35...95	
15...20 M8/Hexagon	
27 /	

Note

Metal walls: 1 – 2.5 mm = 1000V; 2.5 – 4 mm = 800 V; 4 – 6 mm = 690 V;
 plastic walls: 1 – 6 mm = 1000 V

Ordering data

With assembly peg	
With locking pins	grey
With locking pins	green/yellow
With locking pins	black
Without locking pins	grey
Without locking pins	green/yellow
Without locking pins	black

Type	Qty.	Order No.
WGK 95 F VP/Z	10 ST	1937140000
WGK 95 F VP/Z GN/YE	10 ST	1937360000
WGK 95 F VP/Z SW	10 ST	1250670000
WGK 95 F VP	10 ST	1937130000
WGK 95 F VP GN/YE	10 ST	1937120000
WGK 95 F VP SW	10 ST	1250660000

Note

Accessories

Distance plate



Screwdriver



Standard

Identification systems (see assortment in catalogue 7)

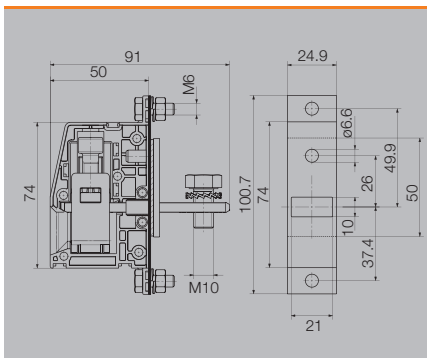
Marking tags

For detailed information on other accessories and applications, refer to the „Accessories“ section

Type	Qty.	Order No.
DP WGK 95 SW	10	1250620000
DP WGK 95	10	1937020000

DEK 5/5 / DEK 5/6 / DEK 5/8

Technical drawing



VWGK 4

4 mm²

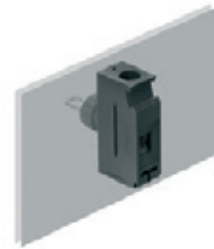
Solder connection



VWGK 6

6 mm²

Solder connection



Width/Length/External height	mm
Max. current / Max. wire	A/mm ²
Max. clamping range	mm ²

10 x 11.4 x 20.5
41 / 6
0.22...6

10 x 15.5 x 31.5
57 / 10
0.21...10

Technical data

Rated data	
Rated voltage	V
Rated current	A
For conductor cross-section	mm ²
Rated impulse withstand voltage / Pollution severity	-/
Gauge to IEC 60947-1 / UL 94 flammability rating	
Approvals	
Clamped conductors (H05V/H07V)	
Solid / Stranded	mm ²
Flexible / Stranded wire with end ferrules	mm ²
Tightening torque (terminal screw)	Nm
Stripping length / Blade size	mm/-

IEC 60947-7-1

IEC	UL / CUL	CSA
250	300	300
32	30	30
4	AWG 30...10	...10
6 kV / 3		
A3 / V-0		
CE; CSA; CURUS; ROHS		
Rated connection		
0.5...6 / 0.5...4		
0.5...4 / 0.5...4		
0.6...0.8 (M 3)		
8 / 0.6 x 3.5 mm		

IEC 60947-7-1

IEC	UL / CUL	CSA
500	300	300
41	50	50
6	AWG 22...10	...10
6 kV / 3		
A5 / V-0		
CE; CSA; CURUS; ROHS		
Rated connection		
0.5...10 / 0.5...6		
0.5...6 / 0.5...6		
0.8...1.8 (M 3.5)		
13 / 0.8 x 4.0 mm		

Note

Metal walls: 1 - 4 mm = 500 V Plastic walls 1 - 4 mm = 500 V

Metal walls: 1 - 4 mm = 500 V. Plastic walls: 1 - 4 mm = 500 V

Ordering data

With assembly peg	
With locking pins	grey
With locking pins	green/yellow
With locking pins	black
Without locking pins	black
Without locking pins	grey
Without locking pins	black

Type	Qty.	Order No.
VWGK 4	50 ST	1936490000
VWGK 4 GN/YE	50 ST	1936480000
VWGK 4 SW	50 ST	1250650000

Type	Qty.	Order No.
VWGK 6	50 ST	1965740000
VWGK 6 GN/YE	50 ST	1965730000
VWGK 6 SW	50 ST	1250640000

Note

Accessories

Distance plate



Screwdriver



Standard

Identification systems (see assortment in catalogue 7)

Marking tags

For detailed information on other accessories and applications, refer to the „Accessories“ section

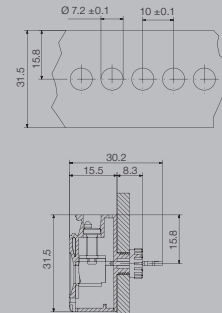
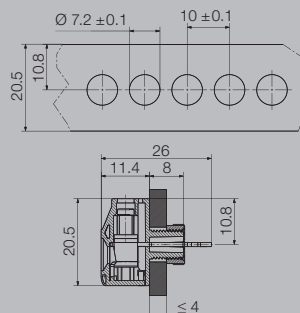
Type	Qty.	Order No.
DP VWGK 4 SW	50	1251030000
DP VWGK4	50	1936430000
SDIS 0.6X3.5X100	1	9008390000

Type	Qty.	Order No.
DP VWGK 6 SW	50	1250630000
DP VWGK6	50	1965750000
SDIS 0.8X4.0X100	1	9008400000

KSW 4

DEK 5/5 / DEK 5/6 / DEK 5/8

Technical drawing



G