

**WIL-LRGBW-RHPS-XXXX-X365SX-M12X-X0****Weidmüller Interface GmbH & Co. KG**

Klingenbergstraße 26

D-32758 Detmold

Germany

www.weidmueller.com



Our L-series, as standard and premium variants, is the ideal surface mounted light for the industrial field. The swiveling mounting brackets allow for easy and direct mounting and positioning of the illumination field. With only one power supply, it is possible to connect several lights in series. Simple connection technology with circular connectors enables plug-and-play. A special safety glass protects against industrial influences and at the same time provides homogeneous illumination in the light color 5.700K.

**General ordering data**

Order No.	<a href="#">2899570000</a>
Type	WIL-LRGBW-RHPS-XXXX-X365SX-M12X-X0
GTIN (EAN)	4064675906629
Qty.	1 pc(s).

**WIL-LRGBW-RHPS-XXXX-X365SX-M12X-X0****Weidmüller Interface GmbH & Co. KG**

Klingenbergstraße 26

D-32758 Detmold

Germany

www.weidmueller.com

**Technical data****Dimensions and weights**

Depth	40 mm	Depth (inches)	1.575 inch
Height	42 mm	Height (inches)	1.654 inch
Width	365 mm	Width (inches)	14.37 inch
Net weight	546 g		

**Temperatures**

Operating temperature	-20 - 45°C
-----------------------	------------

**Connection data**

Version	pin, straight	Connection thread	M12
Number of poles	5	Coding	A-coded
LED Modul is attachable	no	Wiring	Pin 1 - 4: control multicolor LED, Pin 5: GND(-)

**Electric data**

Rated voltage	24 V DC	Power	20.5 W
---------------	---------	-------	--------

**General technical data**

Electronic equipment on rolling stock	No	Type of connection	Pin connector
Light colour (CCT)	Red, Green, Blue, White	Emitting angle	100 °
Illumination level	192 lux	Operating life	60.000 h
Type of mounting	Screw mounting	Drill hole spacing	395 mm
Protection degree	IP67		

**Material data**

Housing main material	hard anodised aluminium	Material of LED cover	ESG
-----------------------	-------------------------	-----------------------	-----

**Classifications**

ETIM 6.0	EC000996	ETIM 7.0	EC000996
ETIM 8.0	EC000996	ETIM 9.0	EC000996
ECLASS 9.1	27-11-06-35	ECLASS 10.0	27-11-06-35
ECLASS 11.0	27-11-06-35	ECLASS 12.0	27-11-06-35
ECLASS 13.0	27110635		

**Approvals**

Approvals



ROHS	Conform
UL File Number Search	UL Website
Certificate No. (cURus)	E354496

**WIL-LRGBW-RHPS-XXXX-X365SX-M12X-X0**

**Weidmüller Interface GmbH & Co. KG**  
Klingenbergstraße 26  
D-32758 Detmold  
Germany

[www.weidmueller.com](http://www.weidmueller.com)

**Technical data****Downloads**

Engineering Data	<a href="#">CAD data – STEP</a>
User Documentation	<a href="#">AINST-WIL-LRGBW GUIDE</a>
Catalogues	<a href="#">Catalogues in PDF-format</a>

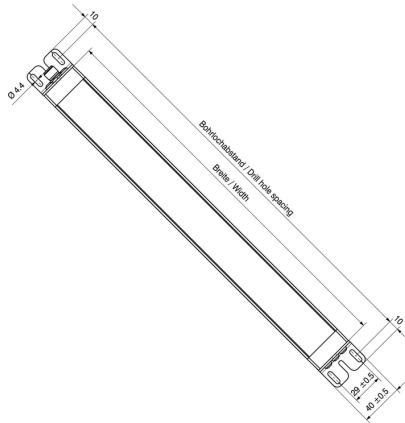
**WIL-LRGBW-RHPS-XXXX-X365SX-M12X-X0**

**Weidmüller Interface GmbH & Co. KG**  
 Klingenbergstraße 26  
 D-32758 Detmold  
 Germany

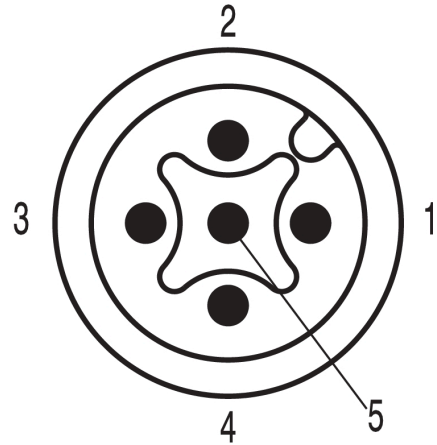
[www.weidmueller.com](http://www.weidmueller.com)

**Drawings**

**Dimensioned drawing**



**Pole scheme**



## WIL-LRGBW-RHPS-XXXX-X365SX-M12X-X0

**Weidmüller Interface GmbH & Co. KG**  
 Klingenbergstraße 26  
 D-32758 Detmold  
 Germany

www.weidmueller.com

## Accessories

### Straight



Individual cable lengths are often required nowadays. In order to meet these demands, Weidmüller offers a wide range of plug-in connectors for custom assembly. Male plugs and female socket for customisable assembly for M8, M12, M16 and 7/8" connections which are highly robust and ideally suited to machine engineering, for instance. The M12 plug-in connectors offer a choice of 5 different connection systems. The screw connection can be used in a wide range of applications. With this technology the conductor, optionally with wire-end ferrules, can be plugged into connection elements and secured with a screw. It is the classic, cheapest form of connection technology that also supports multi-conductor connections.

### General ordering data

Type	SAIB-5/7	Version
Order No.	<a href="#">9457250000</a>	Field attachable connector, M12, Female socket, straight
GTIN (EAN)	4032248155774	
Qty.	1 pc(s).	

### PUR halogen-free black (U)



Sensor/actuator cables are used for wiring sensors and actuators and for transmitting data or power in various applications. The moulded cable offers connected and tested connection of the plug-in connector to the cable ex-works. The cables may be exposed to a wide range of conditions, such as humidity, dust, heat, cold, shock or vibration.

Our developers have focused specifically on this issue and designed a host of different M8 and M12 sensor-actuator cables so you are bound to find the solution you need for your application.

Is there something you have not managed to find or you feel needs explanation? Talk to us!

### General ordering data

Type	SAIL-M12GM12G-5-2.0U	Version
Order No.	<a href="#">9457340200</a>	Sensor/actuator line, Connecting line, M12 / M12, Number of poles :
GTIN (EAN)	4008190311285	5, 2 m, pin, straight - socket, straight, Shielded: No, LED: No, Sheath
Qty.	1 pc(s).	material: PUR, Halogen: No
Type	SAIL-M12GM12G-5-1.0U	Version
Order No.	<a href="#">9457340100</a>	Sensor/actuator line, Connecting line, M12 / M12, Number of poles :
GTIN (EAN)	4032248832583	5, 1 m, pin, straight - socket, straight, Shielded: No, LED: No, Sheath
Qty.	1 pc(s).	material: PUR, Halogen: No
Type	SAIL-M12GM12G-5-3.0U	Version
Order No.	<a href="#">9457340300</a>	Sensor/actuator line, Connecting line, M12 / M12, Number of poles :
GTIN (EAN)	4008190311896	5, 3 m, pin, straight - socket, straight, Shielded: No, LED: No, Sheath
Qty.	1 pc(s).	material: PUR, Halogen: No

**WIL-LRGBW-RHPS-XXXX-X365SX-M12X-X0**

**Weidmüller Interface GmbH & Co. KG**  
 Klingenbergstraße 26  
 D-32758 Detmold  
 Germany

www.weidmueller.com

**Accessories**
**PUR halogen-free black (U)**


Sensor/actuator cables are used for wiring sensors and actuators and for transmitting data or power in various applications. The moulded cable offers connected and tested connection of the plug-in connector to the cable ex-works. The cables may be exposed to a wide range of conditions, such as humidity, dust, heat, cold, shock or vibration.

Our developers have focused specifically on this issue and designed a host of different M8 and M12 sensor-actuator cables so you are bound to find the solution you need for your application.

Is there something you have not managed to find or you feel needs explanation? Talk to us!

**General ordering data**

Type	SAIL-M12BG-5-1.5U	Version
Order No.	<a href="#">9457910150</a>	Sensor/actuator line, One end without connector, M12, Number of poles : 5, 1.5 m, Female socket, straight, Shielded: No, LED: No, Sheath material: PUR, Halogen: No
GTIN (EAN)	4032248528875	
Qty.	1 pc(s).	
Type	SAIL-M12BG-5-5.0U	Version
Order No.	<a href="#">9457910500</a>	Sensor/actuator line, One end without connector, M12, Number of poles : 5, 5 m, Female socket, straight, Shielded: No, LED: No, Sheath material: PUR, Halogen: No
GTIN (EAN)	4032248228850	
Qty.	1 pc(s).	
Type	SAIL-M12BG-5-10U	Version
Order No.	<a href="#">9457911000</a>	Sensor/actuator line, One end without connector, M12, Number of poles : 5, 10 m, Female socket, straight, Shielded: No, LED: No, Sheath material: PUR, Halogen: No
GTIN (EAN)	4032248228867	
Qty.	1 pc(s).	
Type	SAIL-M12BG-5-3.0U	Version
Order No.	<a href="#">9457910300</a>	Sensor/actuator line, One end without connector, M12, Number of poles : 5, 3 m, Female socket, straight, Shielded: No, LED: No, Sheath material: PUR, Halogen: No
GTIN (EAN)	4032248228843	
Qty.	1 pc(s).	