

## FFP D1/12H S1 B TY

Weidmüller Interface GmbH &amp; Co. KG

Klingenbergstraße 26

D-32758 Detmold

Germany

www.weidmueller.com

**OMNIMATE® - Board-to-Board connectors**

Flexible engineering of compact devices

The use of future-proof contact systems, as well as the optimisation of manufacturing processes, are increasingly important in the development of efficient industrial devices, especially in the field of Industry 4.0.

OMNIMATE® board-to-board connectors feature a 1.27 mm pitch and offer maximum flexibility due to different designs.

- **Flexible device design** - Industrial suitable density combined with high flexible connection combinations (Mezzanine, Mother-to-Daughter, Extender-card, Cable-to-Board)
- **Automation-Ready** - Developed for automatic assembly with high precise pin coplanarity and SMT-fixation
- **Reliable contact** - Up to 500 mating cycles due to industry suitable gold-surface (PdNi-Au)
- **Process-Ready** - High performance LCP material for reflow soldering
- **Scalability** - Different heights with high contact overlapping ensure various solutions from 12 – 80 poles.
- **Robust miniaturisation** - simple and safe connection even possible under unfavorable mating conditions – e.g. inclination or offset.

**General ordering data**

Version	PCB plug-in connector, female plug, Pitch in mm (P): 1.27 mm, Number of poles: 12, Tray (manual assembly)
Order No.	<a href="#">2747520000</a>
Type	FFP D1/12H S1 B TY
GTIN (EAN)	4050118895940
Qty.	100 pc(s).
Product data	IEC: / 1.9 A UL: 150 V / 1 A / AWG 30 sol - AWG 30 sol
Packaging	Tray (manual assembly)

## FFP D1/12H S1 B TY

Weidmüller Interface GmbH &amp; Co. KG

Klingenbergstraße 26

D-32758 Detmold

Germany

www.weidmueller.com

## Technical data

## Dimensions and weights

Depth	5.6 mm	Depth (inches)	0.22 inch
Height	14.05 mm	Height (inches)	0.553 inch
Width	15.4 mm	Width (inches)	0.606 inch
Net weight	1.9 g		

## System Parameters

Product family	OMNIMATE Signal - Board-to-Board	Type of connection	Insulation displacement connection (IDC)
Wire connection method	Insulation displacement connection (IDC)	Pitch in mm (P)	1.27 mm
Pitch in inches (P)	0.05 inch	Conductor outlet direction	90°/270°
Number of poles	12	Number of rows	1
Pin series quantity	2	Protection degree	IP20
Volume resistance	<25 mΩ	Plugging cycles	500
Plugging force/pole, max.	0.6 N	Pulling force/pole, max.	0.6 N

## Material data

Insulating material	LCP	Colour	black
Colour chart (similar)	RAL 9011	Insulating material group	IIIa
Insulation strength	$\geq 10^{10} \Omega$	Moisture Level (MSL)	1
UL 94 flammability rating	V-0	Contact base material	Cu-alloy
Contact material	Cu-alloy	Contact surface	Ni/Au
Layer structure of plug contact	$\geq 2 \mu\text{m Ni} / \geq 0.4 \mu\text{m PdNi} / \geq 0.05 \mu\text{m Au}$	Storage temperature, min.	-40 °C
Storage temperature, max.	70 °C	Operating temperature, min.	-55 °C
Operating temperature, max.	125 °C		

## Conductors suitable for connection

Wire connection cross section AWG, min.	AWG 30/1, 30/7	Wire connection cross section AWG, max.	AWG 30/1, 30/7
Outer diameter of insulation, min.	0.55 mm	Outer diameter of insulation, max.	0.75 mm

## Rated data acc. to IEC

Rated current, min. number of poles (Tu=20°C)	1.9 A	Rated current, max. number of poles (Tu=20°C)	2.3 A
Rated current, min. number of poles (Tu=40°C)	2.5 A	Clearance, min.	0.4 mm
Creepage distance, min.	0.4 mm		

## Rated data acc. to UL 1977

Reference to approval values	Specifications are maximum values, details - see approval certificate.	Rated voltage (UL 1977) (obsolete)	150 V
Rated current (UL 1977) (obsolete)	1 A	AWG-conductor, min. (UL 1977)	30 sol
AWG-conductor, max. (UL 1977)	30 sol		

## Packing

Packaging	Tray (manual assembly)	VPE length	181 mm
VPE width	118 mm	VPE height	55 mm

Creation date December 4, 2023 4:39:35 PM CET

Catalogue status 24.11.2023 / We reserve the right to make technical changes.

2

## FFP D1/12H S1 B TY

**Weidmüller Interface GmbH & Co. KG**  
 Klingenbergstraße 26  
 D-32758 Detmold  
 Germany

[www.weidmueller.com](http://www.weidmueller.com)

## Technical data

## Classifications

ETIM 6.0	EC002638	ETIM 7.0	EC002638
ETIM 8.0	EC002638	ETIM 9.0	EC002638
ECLASS 9.0	27-44-03-09	ECLASS 9.1	27-44-03-09
ECLASS 10.0	27-44-03-09	ECLASS 11.0	27-46-02-02
ECLASS 12.0	27-46-02-02	ECLASS 13.0	27460202

## Important note

IPC conformity      Conformity: The products are developed, manufactured and delivered according international recognized standards and norms and comply with the assured properties in the data sheet resp. fulfill decorative properties in accordance with IPC-A-610 "Class 2". Further claims on the products can be evaluated on request.

## Approvals

Approvals



ROHS	Conform
UL File Number Search	UL Website
Certificate No. (cURus)	E92202

## Downloads

Engineering Data	<a href="#">CAD data – STEP</a>
Catalogues	<a href="#">Catalogues in PDF-format</a>

**FFP D1/12H S1 B TY**

**Weidmüller Interface GmbH & Co. KG**  
 Klingenbergstraße 26  
 D-32758 Detmold  
 Germany

www.weidmueller.com

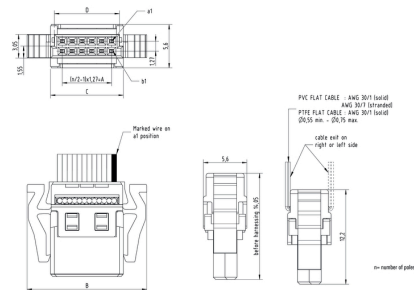
**Drawings**



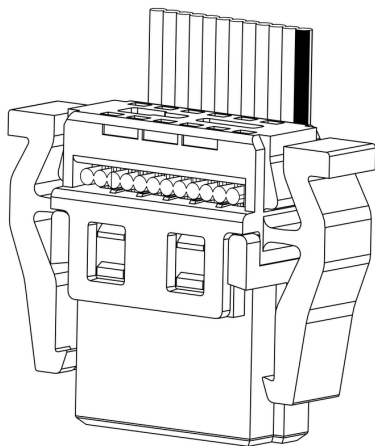
With optional strain relief

**Dimensional drawing**

Type	Order no.	No. of poles	A	B	C	D	E
FFP D1/12H S1 B TY	2747620000	12	6,35	15,4	9,37	8,37	15
FFP D1/18H S1 B TY	2747630000	18	8,89	17,94	11,91	10,91	15
FFP D1/25H S1 B TY	2747640000	25	11,43	20,48	14,45	13,45	15
FFP D1/25H S1 B TY	2747650000	26	15,24	24,29	18,26	17,26	15
FFP D1/32H S1 B TY	2747660000	32	18,95	28,1	22,07	21,07	15
FFP D1/40H S1 B TY	2747670000	40	24,13	33,18	27,15	26,15	15
FFP D1/50H S1 B TY	2747680000	50	30,48	39,53	33,5	32,5	15
FFP D1/60H S1 B TY	2747690000	60	41,81	50,96	44,93	43,93	18,2
FFP D1/80H S1 B TY	2747700000	80	48,53	58,58	51,55	50,55	18,2



**Detailed drawing**



## FFP D1/12H S1 B TY

**Weidmüller Interface GmbH & Co. KG**  
 Klingenbergstraße 26  
 D-32758 Detmold  
 Germany

www.weidmueller.com

## Accessories

## FC/FFP - Strain relief (Accessory)

**OMNIMATE® - Board-to-Board connectors**

Flexible engineering of compact devices  
 The use of future-proof contact systems, as well as the optimisation of manufacturing processes, are increasingly important in the development of efficient industrial devices, especially in the field of Industry 4.0. OMNIMATE® board-to-board connectors feature a 1.27 mm pitch and offer maximum flexibility due to different designs.

- **Flexible device design** - Industrial suitable density combined with high flexible connection combinations (Mezzanine, Mother-to-Daughter, Extender-card, Cable-to-Board)
- **Automation-Ready** - Developed for automatic assembly with high precise pin coplanarity and SMT-fixation
- **Reliable contact** - Up to 500 mating cycles due to industry suitable gold-surface (PdNi-Au)
- **Process-Ready** - High performance LCP material for reflow soldering
- **Scalability** - Different heights with high contact overlapping ensure various solutions from 12 – 80 poles.
- **Robust miniaturisation** - simple and safe connection even possible under unfavorable mating conditions – e.g. inclination or offset.

**General ordering data**

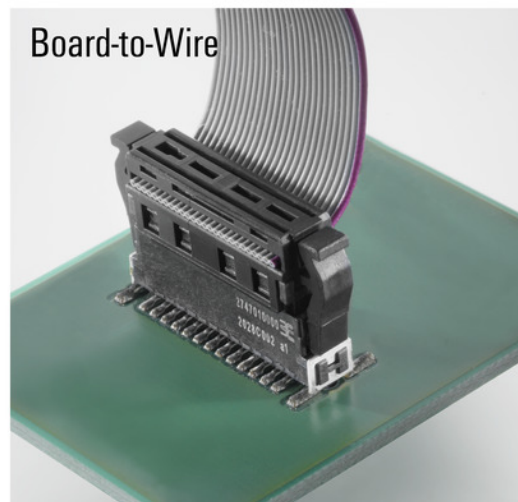
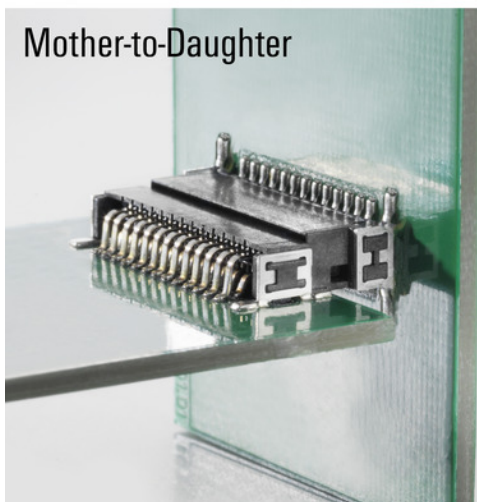
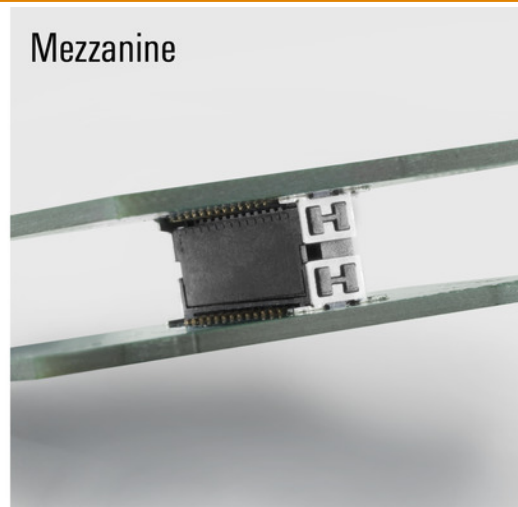
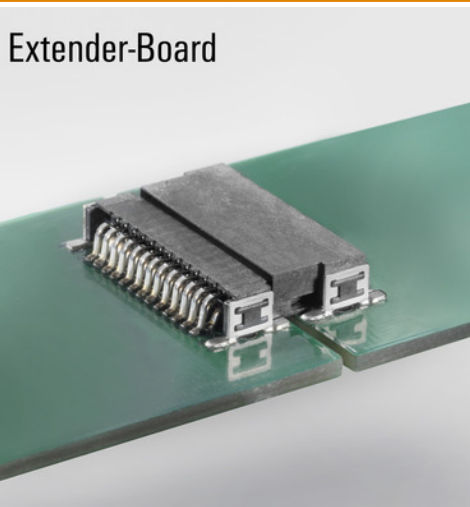
Type	FC/FFP ZE/ 12 B BX	Version	Product data	Packaging
Order No.	<a href="#">2852980000</a>	PCB plug-in connector, Accessories, Pitch in mm (P): 1.27 mm,	UL:	Box
GTIN (EAN)	4064675475316	Number of poles: 12, Box		
Qty.	100 pc(s).			

**FFP D1/12H S1 B TY**

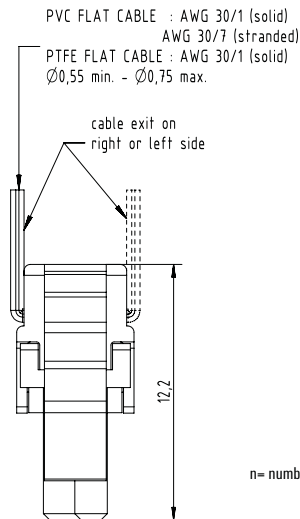
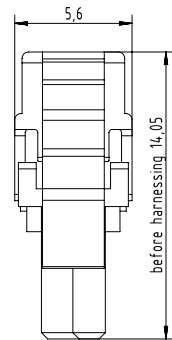
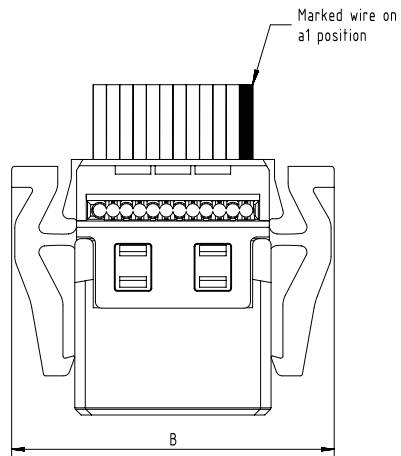
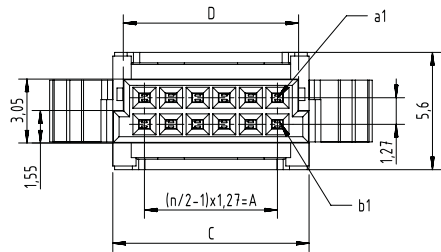
**Weidmüller Interface GmbH & Co. KG**  
Klingenbergstraße 26  
D-32758 Detmold  
Germany

[www.weidmueller.com](http://www.weidmueller.com)

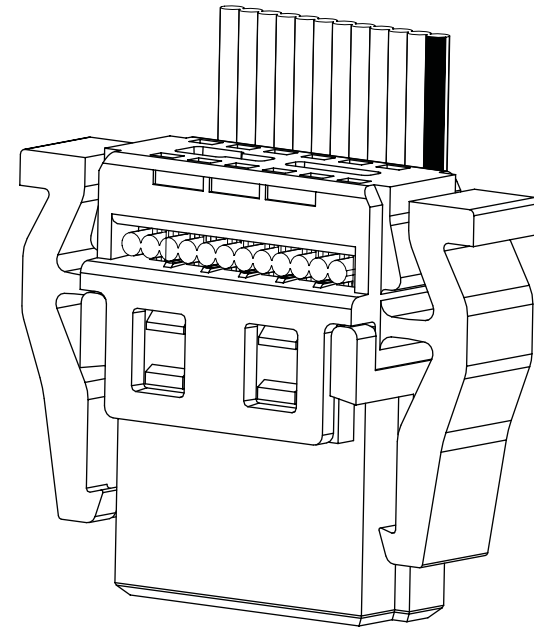
**Drawings**



FFP D1/..H S1 B RL



n= number of poles

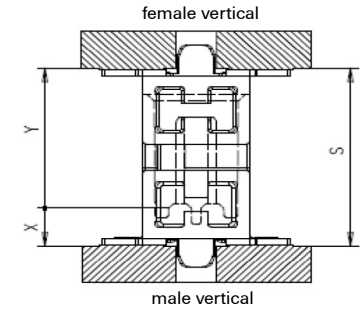
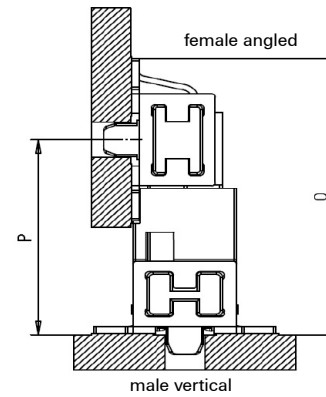


Type	Order no.	No. of poles	A	B	C	D	E
FFP D1/12H S1 B TY	2747520000	12	6,35	15,4	9,37	8,37	15
FFP D1/16H S1 B TY	2747530000	16	8,89	17,94	11,91	10,91	15
FFP D1/20H S1 B TY	2747540000	20	11,43	20,48	14,45	13,45	15
FFP D1/26H S1 B TY	2747550000	26	15,24	24,29	18,26	17,26	15
FFP D1/32H S1 B TY	2747560000	32	19,05	28,1	22,07	21,07	15
FFP D1/40H S1 B TY	2747570000	40	24,13	33,18	27,15	26,15	15
FFP D1/50H S1 B TY	2747580000	50	30,48	39,53	33,5	32,5	15
FFP D1/68H S1 B TY	2747590000	68	41,91	50,96	44,93	43,93	16,2
FFP D1/80H S1 B TY	2747600000	80	49,53	58,58	55,88	51,55	16,2

## Male vertical - FMH1 | FMH3

### Application - dimensions

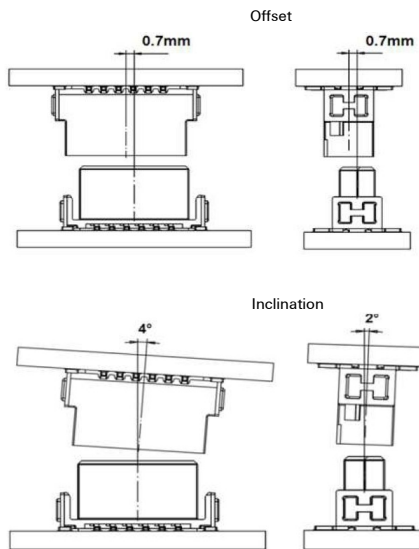
	14 mm				
	13 mm				
	12 mm				
	11 mm				
	10 mm				
	9 mm				
	8 mm				
X	stacking	male 1,75mm	male 3,25mm	male 1,75mm	male 3,25mm
Y	heights	female 6,25mm	female 6,25mm	female 9,05mm	female 9,05mm
S	PCB distance	8mm - 9,5mm	9,5mm - 11mm	10,8mm - 12,3mm	12,3mm - 13,8mm
	Type	FMH1.. FFH6..	FMH3.. FFH6..	FMH1.. FFH9..	FMH3.. FFH9..



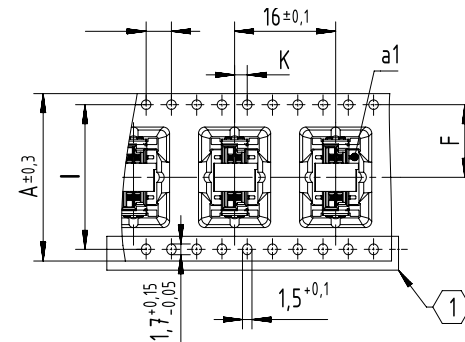
X	Y	S min.	*S max.	P min.	O
3,25	9,05	12,3	13,8	-	-
1,75	9,05	10,8	12,3	-	-
3,25	6,25	9,5	11	-	-
1,75	6,25	8	9,5	-	-
3,25	-	-	-	10,25	14,08
1,75	-	-	-	8,75	12,58

\*S max. = S min. + 1,15 wiping length with additional contact overlap security

### Mating conditions

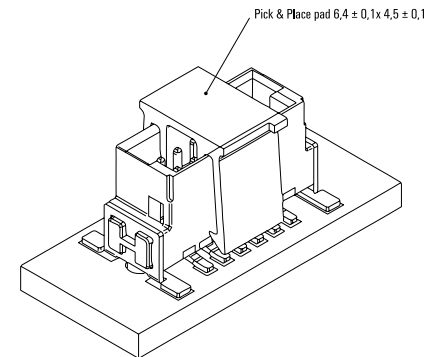


### Tape - dimensions

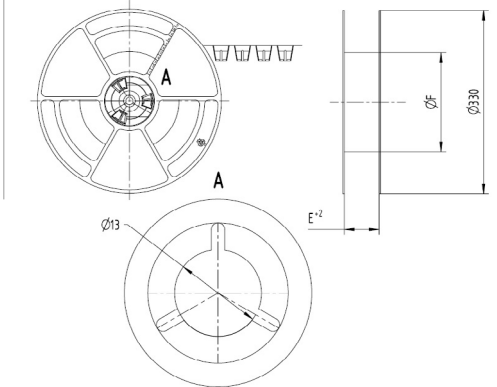


Tape dimensions	A	F	I	K
Pole 12	24,0	11,5 ± 0,1	-	2 ± 0,1
Poles 14 to 20	32,0	14,2 ± 0,1	28,4	2 ± 0,1
Poles 22 to 40	44,0	20,2 ± 0,15	40,2	2 ± 0,15
Poles 42 to 56	56,0	26,2 ± 0,15	52,4	2 ± 0,15
Poles 58 to 80	72,0	34,2 ± 0,3	68,4	2 ± 0,2

① No double sprocket holes for 12 pole numbers (tape size 24)



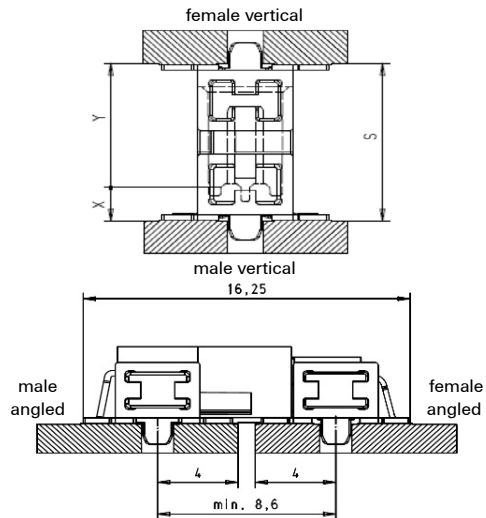
### Reel - dimensions



Reel dimensions	E	F
Pole 12	24,4	178mm for stacking height 1,75mm & 3,25mm
Poles 14 to 20	32,4	
Poles 22 to 40	44,4	
Poles 42 to 56	56,4	
Poles 58 to 80	72,4	

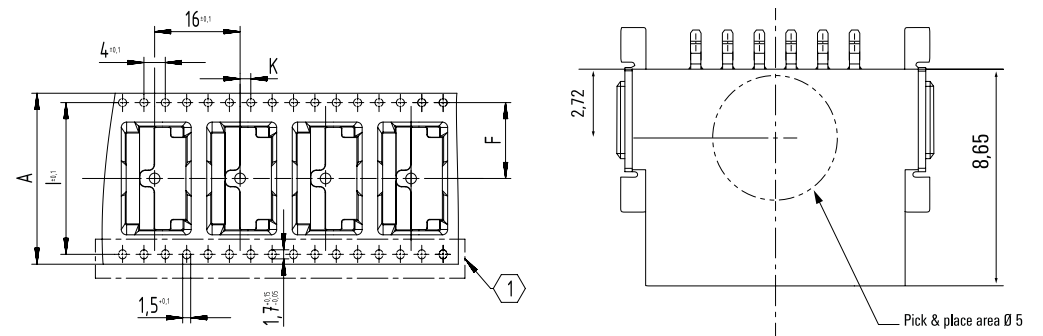
## Male angled - FMH

### Application - dimensions



Y	P min.	O
9,05	10,5	14,33
6,25	7,7	11,53

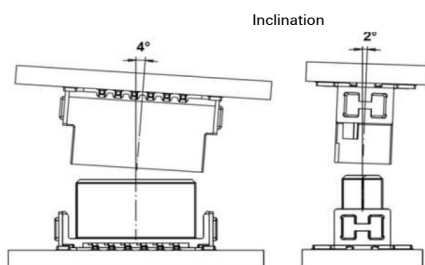
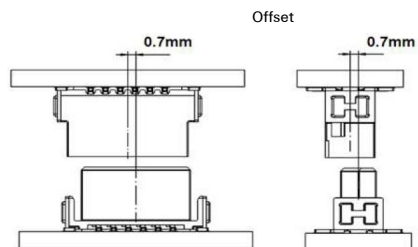
### Tape - dimensions



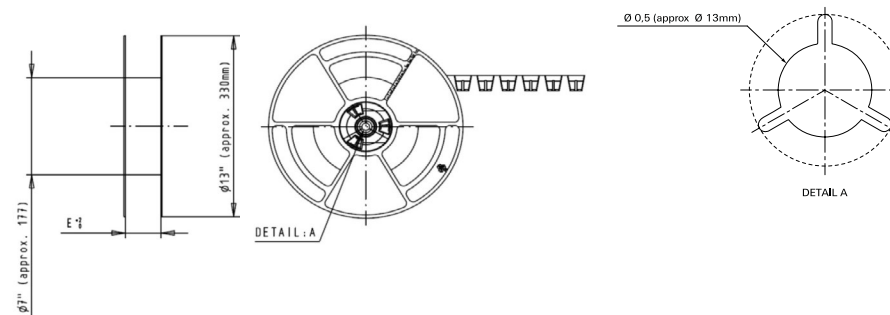
Tape dimensions	A	F	I	K
Poles 12	24,0 + 0,3/-0,1	11,5 ± 0,1	-	2 ± 0,1
Poles 14 to 20	32,0 ± 0,3	14,2 ± 0,1	28,4	2 ± 0,1
Poles 22 to 40	44,0 ± 0,3	20,2 ± 0,15	40,2	2 ± 0,15
Poles 42 to 56	56,0 ± 0,3	26,2 ± 0,15	52,4	2 ± 0,15
Poles 58 to 80	72,0 ± 0,3	34,2 ± 0,3	68,4	2 ± 0,2

① No double sprocket holes for 12 pole numbers (tape size 24)

### Mating conditions



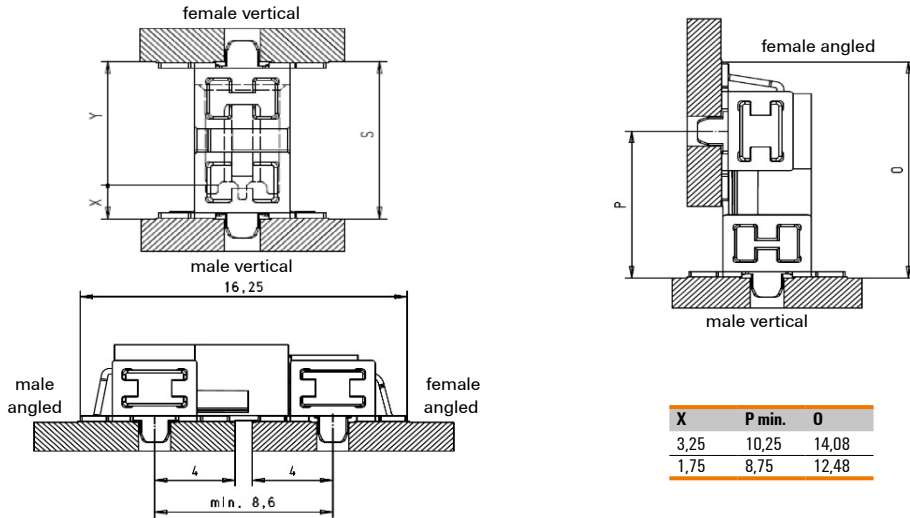
### Reel - dimensions



Reel dimensions	E
Poles 06 to 12	24,4
Poles 14 to 20	32,4
Poles 22 to 40	44,4
Poles 42 to 56	56,4
Poles 58 to 80	72,4
Poles 82 to 100	88,4

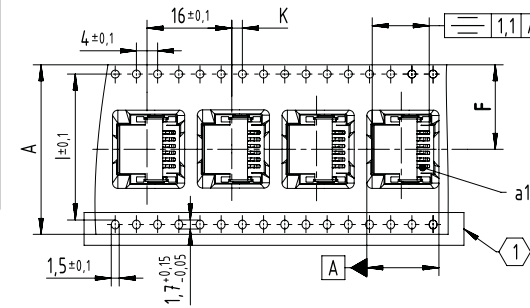
## Female angled - FFH

### Application - dimensions



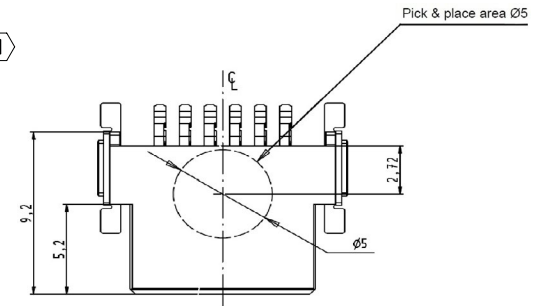
X	P min.	O
3,25	10,25	14,08
1,75	8,75	12,48

### Tape - dimensions

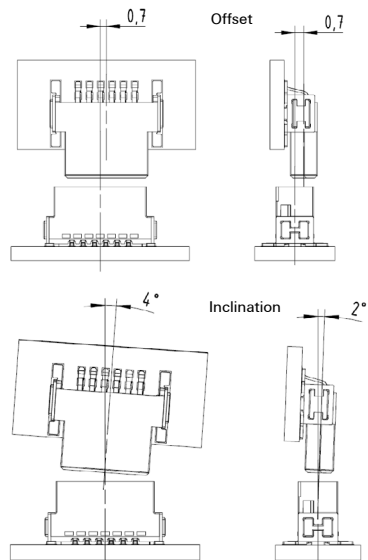


Tape dimensions	A	F	I	K
Poles 12	24,0 + 0,3/-0,1	11,5 ± 0,1	-	2 ± 0,1
Poles 14 to 20	32,0 ± 0,3	14,2 ± 0,1	28,4	2 ± 0,1
Poles 22 to 40	44,0 ± 0,3	20,2 ± 0,15	40,2	2 ± 0,15
Poles 42 to 56	56,0 ± 0,3	26,2 ± 0,15	52,4	2 ± 0,15
Poles 58 to 80	72,0 ± 0,3	34,2 ± 0,3	68,4	2 ± 0,2

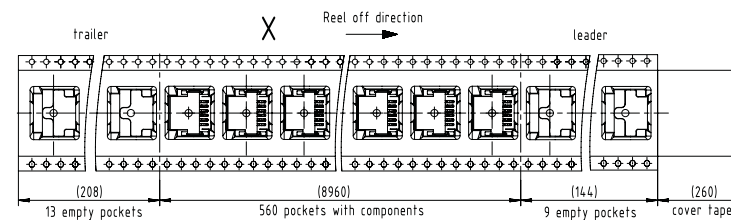
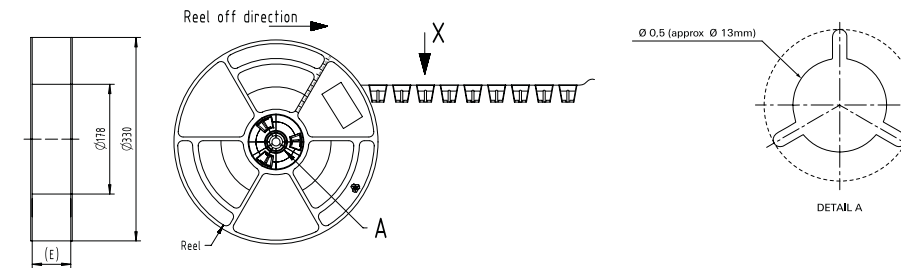
① No double sprocket holes for 12 pole numbers (tape size 24)



### Mating conditions



### Reel - dimensions

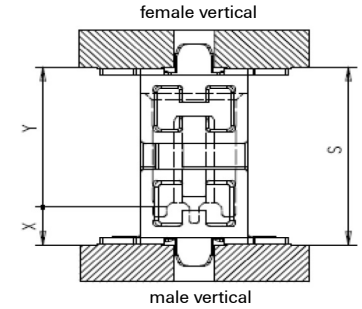
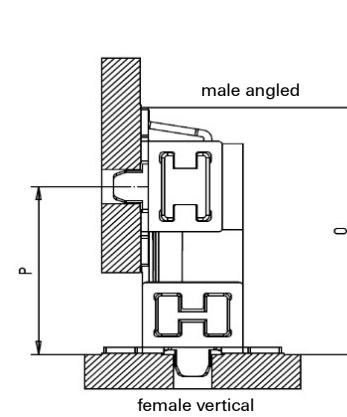


Reel dimensions	E
Poles 12	24,4
Poles 14 to 20	32,4
Poles 22 to 40	44,4
Poles 42 to 56	56,4
Poles 58 to 80	72,4

## Female vertical - FFH6 | FFH9

### Application - dimensions

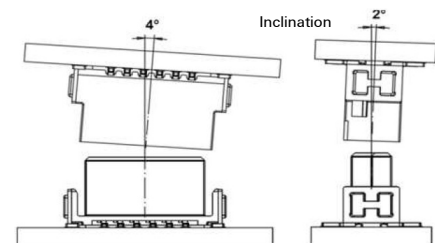
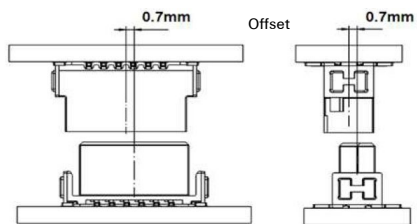
	14 mm				
	13 mm				
	12 mm				
	11 mm				
	10 mm				
	9 mm				
	8 mm				
X	stacking	male 1,75mm	male 3,25mm	male 1,75mm	male 3,25mm
Y	heights	female 6,25mm	female 6,25mm	female 9,05mm	female 9,05mm
S	PCB distance	8mm - 9,5mm	9,5mm - 11mm	10,8mm - 12,3mm	12,3mm - 13,8mm
	Type	FMH1.. FFH6..	FMH3.. FFH6..	FMH1.. FFH9..	FMH3.. FFH9..



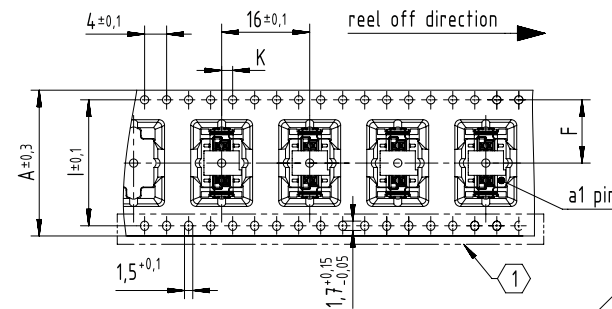
\*S max. = S min. + 1,15 wiping length with additional contact overlap security

X	Y	S min.	*S max.	P min.	O
3,25	9,05	12,3	13,8	-	-
1,75	9,05	10,8	12,3	-	-
3,25	6,25	9,5	11	-	-
1,75	6,25	8	9,5	-	-
-	9,05	-	-	10,5	14,33
-	6,25	-	-	7,7	11,53

### Mating conditions

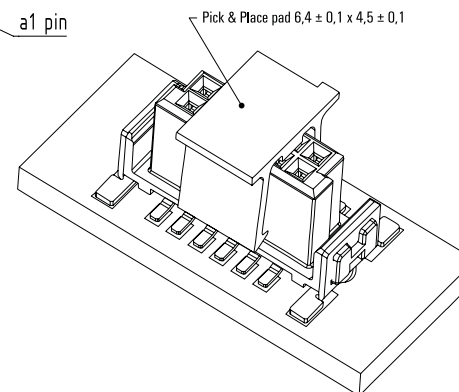


### Tape - dimensions

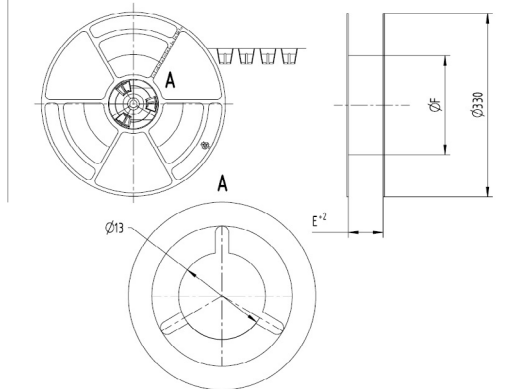


Tape dimensions	A	F	I	K
Pole 12	24,0	11,5 ± 0,1	-	2 ± 0,1
Poles 14 to 20	32,0	14,2 ± 0,1	28,4	2 ± 0,1
Poles 22 to 40	44,0	20,2 ± 0,15	40,2	2 ± 0,15
Poles 42 to 56	56,0	26,2 ± 0,15	52,4	2 ± 0,15
Poles 58 to 80	72,0	34,2 ± 0,3	68,4	2 ± 0,2

ⓘ No double sprocket holes for 12 pole numbers (tape size 24)



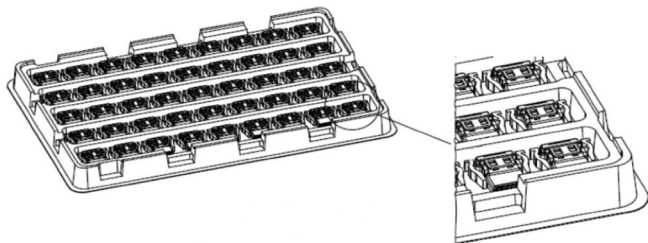
### Reel - dimensions



Reel dimensions	E	F
Pole 12	24,4	
Poles 14 to 20	32,4	
Poles 22 to 40	44,4	178mm for stacking height
Poles 42 to 56	56,4	1,75mm & 3,25mm
Poles 58 to 80	72,4	

**Female IDC plug - FFP**

## Packaging Information



Pin count	Number of trays	Connector s per tray	Connector s per package
12	2	50	100
12	3	40	120
20	3	35	105
32	4	25	100
40	5	20	100
50	5	15	75
68	5	15	75
80	5	10	50