

**D-SUB F6.3 T15HU 3.2B4 TY BK****Weidmüller Interface GmbH & Co. KG**

Klingenbergstraße 26

D-32758 Detmold

Germany

www.weidmueller.com

**The product range encompasses the following designs:**

- 90°, lying (horizontal) and 180°, standing (vertical)
- Flange design as drilled hole, UNC 4-40 threaded nut and UNC 4-40 threaded bolt
- Stamped contacts (Rated current: 3 A)
- THT soldering process
- Wide range of different design types, also with snap-on clip
- Packed in tray (TY)
- Extended temperature range of -55 °C to +85 °C for maximum performance
- Design in accordance with IEC 60807-3 (IEC 807-3) and DIN 41652

**General ordering data**

Version	OMNIMATE Data - D-SUB connector, female header, Thread-nut UNC 4-40, THT solder connection, Pitch in mm (P): 2.77 mm, Number of poles: 15, $\geq 50 \mu\text{m}$ Ni / $100 \mu\text{m}$ Sn , 500, PBT GF, black, Tray
Order No.	<a href="#">2701730000</a>
Type	D-SUB F6.3 T15HU 3.2B4 TY BK
GTIN (EAN)	4050118809701
Qty.	70 pc(s).
Packaging	Tray

Creation date December 1, 2023 12:27:29 PM CET

**D-SUB F6.3 T15HU 3.2B4 TY BK****Weidmüller Interface GmbH & Co. KG**

Klingenbergstraße 26

D-32758 Detmold

Germany

www.weidmueller.com

**Technical data****Dimensions and weights**

Depth	18.3 mm	Depth (inches)	0.72 inch
Height	12.55 mm	Height (inches)	0.494 inch
Width	39.2 mm	Width (inches)	1.543 inch
Net weight	9.1 g		

**System specifications**

Mounting onto the PCB	THT solder connection	Number of poles	15
Outgoing elbow	90°	Pitch in inches (P)	0.109 inch
Pitch in mm (P)	2.77 mm	Plugging cycles	500
Product family	OMNIMATE Data - D-SUB connector	Shield surface	tinned
Shielding material	Steel	Side termination, characteristic	Thread-nut UNC 4-40
Solder pin dimensions	Octagonal	Solder pin length (l)	3.2 mm
Soldering process	Manual soldering, Wave soldering	Tolerance of solder pin position	± 0.1 mm
Type of connection	Solder connection		

**Electrical properties**

Dielectric strength, contact / contact	1000 V AC	Insulation strength	≥ 1000 MΩ
Rated current	3 A	Rated voltage	250 V

**Material data**

Insulating material	PBT GF	Colour	black
Colour chart (similar)	RAL 9011	Insulation strength	≥ 1000 MΩ
UL 94 flammability rating	V-0	Contact base material	Cu-alloy
Contact material	Cu-alloy	Contact surface	Gold over nickel
Layer structure of solder connection	≥ 50 μ" Ni / 100 μ" Sn	Layer structure of plug contact	≥ 50 μ" Ni / 30 μ" Au
Operating temperature, min.	-55 °C	Operating temperature, max.	105 °C

**Packing**

Packaging	Tray	VPE length	295 mm
VPE width	209 mm	VPE height	23 mm

**Classifications**

ETIM 6.0	EC002637	ETIM 7.0	EC002637
ETIM 8.0	EC002637	ETIM 9.0	EC002637
ECLASS 9.0	27-44-04-02	ECLASS 9.1	27-44-04-02
ECLASS 10.0	27-44-04-02	ECLASS 11.0	27-46-02-01
ECLASS 12.0	27-46-02-01	ECLASS 13.0	27460201

**Approvals**

Approvals



ROHS	Conform
UL File Number Search	UL Website
Certificate No. (UR)	E92202

Creation date December 1, 2023 12:27:29 PM CET

Catalogue status 24.11.2023 / We reserve the right to make technical changes.

2

**Data sheet**

**D-SUB F6.3 T15HU 3.2B4 TY BK**

**Weidmüller Interface GmbH & Co. KG**  
Klingenbergstraße 26  
D-32758 Detmold  
Germany

[www.weidmueller.com](http://www.weidmueller.com)

**Technical data**

**Downloads**

---

Engineering Data	<a href="#">CAD data – STEP</a>
Catalogues	<a href="#">Catalogues in PDF-format</a>

---

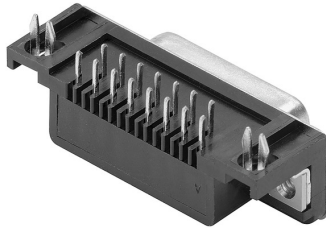
**Data sheet**

**D-SUB F6.3 T15HU 3.2B4 TY BK**

**Weidmüller Interface GmbH & Co. KG**  
Klingenbergstraße 26  
D-32758 Detmold  
Germany

[www.weidmueller.com](http://www.weidmueller.com)

**Drawings**

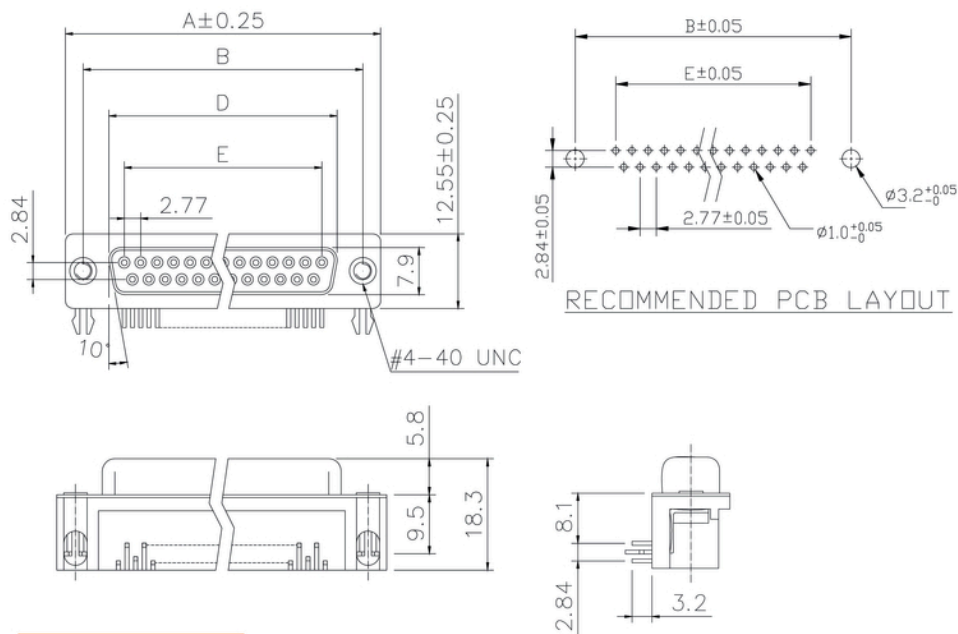


**D-SUB F6.3 T15HU 3.2B4 TY BK**

**Weidmüller Interface GmbH & Co. KG**  
 Klingenbergstraße 26  
 D-32758 Detmold  
 Germany

www.weidmueller.com

**Drawings**



Tolerance	
x.	± 0.38
x.x	± 0.25
x.xx	± 0.13
DIM	TOL
x.	± 3°
x.x	± 1.0°
Angle	TOL

**Dimensions**

No. of poles	A	B	C	E
9	30.81	24.99	16.92	11.08
15	39.20	33.30	25.25	19.39
25	53.05	47.04	38.96	33.24

## Recommended wave soldering profiles

**Weidmüller Interface GmbH & Co. KG**  
 Klängenbergstraße 16  
 D-32758 Detmold  
 Germany  
 Fon: +49 5231 14-0  
 Fax: +49 5231 14-292083  
 www.weidmueller.com

### Single Wave:



### Double Wave:



### Wave soldering profiles

Wired connection elements should be processed in accordance with the DIN EN 61760-1 standard. We have included two recommendations for practical wave soldering profiles, with which Weidmüller PCB terminals and connectors are qualified.

When choosing a suitable profile for your application, the following factors also need to be considered:

- PCB thickness
- Proportion of Cu in the layers
- Single/double-sided assembly
- Product range
- Heating and cooling rates

The single and double wave profiles each indicate the recommended operating range, including the maximum soldering temperature of 260°C. In practice, the maximum soldering temperature is quite often well below the above maximum profile.