

HDC MHP70 M 16**Weidmüller Interface GmbH & Co. KG**

Klingenbergstraße 26

D-32758 Detmold

Germany

www.weidmueller.com



Crimps provide a electrical and mechanical connection between wire and contact that is both secure and reliable. The optimal crimp connection is gas-tight and corrosion-resistant.

General ordering data

Version	Male, silver
Order No.	2668360000
Type	HDC MHP70 M 16
GTIN (EAN)	4050118802795
Qty.	10 pc(s).

Creation date March 12, 2024 5:18:24 PM CET

Catalogue status 09.03.2024 / We reserve the right to make technical changes.

HDC MHP70 M 16

Weidmüller Interface GmbH & Co. KG

Klingenbergstraße 26

D-32758 Detmold

Germany

www.weidmueller.com

Technical data

Dimensions and weights

Net weight 10.8 g

General data

Material	Copper alloy	Plugging cycles	500
Production methods	turned	Series	ModuPlug
Stripping length, rated connection	16 mm	Surface finish	silver
Type	Male	Type of connection	Crimp connection

Classifications

ETIM 6.0	EC000796	ETIM 7.0	EC000796
ETIM 8.0	EC000796	ETIM 9.0	EC000796
ECLASS 9.0	27-44-02-04	ECLASS 9.1	27-44-02-04
ECLASS 10.0	27-44-02-04	ECLASS 11.0	27-44-02-04
ECLASS 12.0	27-44-02-04	ECLASS 13.0	27-44-02-04

Environmental Product Compliance

REACH SVHC	Lead 7439-92-1
SCIP	6eabd5ae-2d6b-409e-8bdf-87c27ee10e40

Approvals

ROHS	Conform
------	---------

Downloads

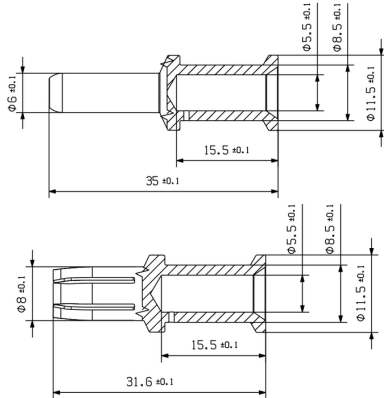
Engineering Data	CAD data – STEP
Catalogues	Catalogues in PDF-format

HDC MHP70 M 16

Weidmüller Interface GmbH & Co. KG
Klingenbergstraße 26
D-32758 Detmold
Germany

Drawings

www.weidmueller.com



HDC MHP70 M 16

Weidmüller Interface GmbH & Co. KG
 Klingenbergstraße 26
 D-32758 Detmold
 Germany

www.weidmueller.com

Accessories

... for compression cable lugs



Crimping tools for cable lugs, connectors and wire-end ferrules with interchangeable inserts

- extremely fast processing thanks to hydraulic support
- large processing range up to 300 mm²
- 270° revolving quick-action crimping head
- automatic pressure limitation and monitoring via pressure sensor
- electronic control and monitoring of the crimping process
- Saving of all crimping cycles and error messages to internal memory
- Reading of all cycles and error messages via USB
- Li-ion rechargeable battery with charge status indicator: 18 V, 1.5 Ah

General ordering data

Type	ES EPG/HPG 60 HEX 16	Version
Order No.	2505170000	Crimping tool insert, Hexagonal crimp
GTIN (EAN)	4050118519549	
Qty.	1 pc(s).	

Tools



Crimping tools for cable lugs, connectors and wire-end ferrules with interchangeable inserts

- extremely fast processing thanks to hydraulic support
- large processing range up to 400 mm²
- 360° revolving quick action crimping head
- automatic pressure limitation and monitoring via pressure sensor
- Additional features for APG series:
- electronic control and monitoring of the crimping process
- Saving of all crimping cycles and error messages to internal memory
- Reading of all cycles and error messages via USB

General ordering data

Type	HPG 60	Version
Order No.	2453820000	6mm ² , 300mm ² , Hexagonal crimp, WM crimp, Indent crimp,
GTIN (EAN)	4050118468427	Trapezoidal crimp, Oval crimping
Qty.	1 pc(s).	

HDC MHP70 M 16

Weidmüller Interface GmbH & Co. KG
Klingenbergstraße 26
D-32758 Detmold
Germany

www.weidmueller.com

Accessories

... for compression cable lugs (acc. to DIN 46235)



Crimping tools for cable lugs, connectors and wire-end ferrules with interchangeable inserts

- extremely fast processing thanks to hydraulic support
- large processing range up to 300 mm²
- 270° revolving quick-action crimping head
- automatic pressure limitation and monitoring via pressure sensor
- electronic control and monitoring of the crimping process
- Saving of all crimping cycles and error messages to internal memory
- Reading of all cycles and error messages via USB
- Li-ion rechargeable battery with charge status indicator: 18 V, 1.5 Ah

General ordering data

Type	ES EPG 45 HEX 16/35	Version	
Order No.	1500950000	Version	Hexagonal crimp
GTIN (EAN)	4050118309492		
Qty.	1 pc(s).		

Tools



Crimping tools for cable lugs, connectors and wire-end ferrules with interchangeable inserts

- extremely fast processing thanks to hydraulic support
- large processing range up to 300 mm²
- 270° revolving quick-action crimping head
- automatic pressure limitation and monitoring via pressure sensor
- electronic control and monitoring of the crimping process
- Saving of all crimping cycles and error messages to internal memory
- Reading of all cycles and error messages via USB
- Li-ion rechargeable battery with charge status indicator: 18 V, 1.5 Ah

General ordering data

Type	EPG 45	Version	
Order No.	1500830000	Version	Pressing tool, 6mm ² , 150mm ² , Hexagonal crimp, WM crimp, Indent crimp, Trapezoidal crimp, Oval crimping
GTIN (EAN)	4050118309317		
Qty.	1 pc(s).		