

HDC MBUS8 F AWG26-24**Weidmüller Interface GmbH & Co. KG**

Klingenbergstraße 26

D-32758 Detmold

Germany

www.weidmueller.com

**Compact**

The new two-pole bus module is extremely compact and can accommodate both megabit and gigabit data inserts. It enables the connection of 2 Gigabit Cat 6A cables (10 gigabit) to one module.

General ordering data

Version	
Order No.	2565950000
Type	HDC MBUS8 F AWG26-24
GTIN (EAN)	4050 118575804
Qty.	100 pc(s).

Creation date March 12, 2024 3:32:43 PM CET

Catalogue status 09.03.2024 / We reserve the right to make technical changes.

HDC MBUS8 F AWG26-24

Weidmüller Interface GmbH & Co. KG

Klingenbergstraße 26

D-32758 Detmold

Germany

www.weidmueller.com

Technical data

Dimensions and weights

Net weight 0.001 g

Temperatures

Limit temperature -40 °C ... 90 °C

General data

Contact surface	Gold-plated	Plugging cycles	≥ 100
Rated current	0.5 A	Transmission rate	10 Gbps
Type	Female		

Classifications

ETIM 6.0	EC000796	ETIM 7.0	EC000796
ETIM 8.0	EC000796	ETIM 9.0	EC000796
ECLASS 9.0	27-44-02-04	ECLASS 9.1	27-44-02-04
ECLASS 10.0	27-44-02-04	ECLASS 11.0	27-44-02-04
ECLASS 12.0	27-44-02-04	ECLASS 13.0	27-44-02-04

Environmental Product Compliance

REACH SVHC	Lead 7439-92-1
SCIP	6eabd5ae-2d6b-409e-8bdf-87c27ee10e40

Approvals

ROHS Conform

Downloads

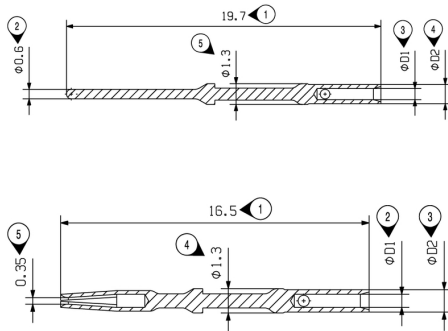
Engineering Data	CAD data – STEP
User Documentation	Instructions sheet HDC ModuPlug field attachable
Catalogues	Catalogues in PDF-format

HDC MBUS8 F AWG26-24

Weidmüller Interface GmbH & Co. KG
Klingenbergstraße 26
D-32758 Detmold
Germany

www.weidmueller.com

Drawings



HDC MBUS8 F AWG26-24

Weidmüller Interface GmbH & Co. KG
 Klingenbergstraße 26
 D-32758 Detmold
 Germany

www.weidmueller.com

Accessories

Tools



Compact

The new two-pole bus module is extremely compact and can accommodate both megabit and gigabit data inserts. It enables the connection of 2 Gigabit Cat 6A cables (10 gigabit) to one module.

General ordering data

Type	HDC MBUS CT X/D 0.6/1.0	Version
Order No.	2592650000	Crimping tool for contacts
GTIN (EAN)	4050118603774	
Qty.	1 pc(s).	
Type	HDC MBUS CL X/D 0.6/1.0	Version
Order No.	2592680000	Locator for crimping tool
GTIN (EAN)	4050118603781	
Qty.	1 pc(s).	