

## SAID-M12BL-5-SMT

**Weidmüller Interface GmbH & Co. KG**  
Klingenbergstraße 26  
D-32758 Detmold  
Germany

[www.weidmueller.com](http://www.weidmueller.com)



### General ordering data

Version	Built-in plugs, M12, Mounting thread: M 16, Number of poles: 5, Strand / cable length:
Order No.	<a href="#">2530820000</a>
Type	SAID-M12BL-5-SMT
GTIN (EAN)	4050118540949
Qty.	60 pc(s).

Creation date December 1, 2023 1:57:27 PM CET

Catalogue status 24.11.2023 / We reserve the right to make technical changes.

**SAID-M12BL-5-SMT****Weidmüller Interface GmbH & Co. KG**

Klingenbergstraße 26

D-32758 Detmold

Germany

www.weidmueller.com

**Technical data****Dimensions and weights**

Net weight 1.517 g

**Technical data of PCB plug-in connector**

Coding	L-coded	Number of poles	5
Rated voltage	63 V	Rated current	16 A
Rated current	16 A	Protection degree	IP67, when fully mounted
Contact surface	Gold over nickel	Housing main material	PA
Connection thread	M12	Tightening torque	M12: 0.8 - 1.2 Nm
Mounting thread	M 16	Pollution severity	3 (2 within the sealed area)
Plugging cycles	500	Contact material	Cu

**General Info**

Number of poles	5	UL 94 flammability rating	V-0
Housing main material	PA	Connection thread	M12
Contact material	Cu	Contact surface	Gold over nickel
Protection degree	IP67, when fully mounted	Plugging cycles	500

**Classifications**

ETIM 6.0	EC000438	ETIM 7.0	EC003557
ETIM 8.0	EC003557	ETIM 9.0	EC003557
ECLASS 9.1	27-44-02-05	ECLASS 10.0	27-44-02-23
ECLASS 11.0	27-44-02-23	ECLASS 12.0	27-44-02-23
ECLASS 13.0	27440223		

**Environmental Product Compliance**

REACH SVHC	Lead 7439-92-1
SCIP	d9f8df28-a704-45a9-a1cb-1fe1442b5ef0

**Approvals**

ROHS	Conform
------	---------

**Downloads**Catalogues [Catalogues in PDF-format](#)

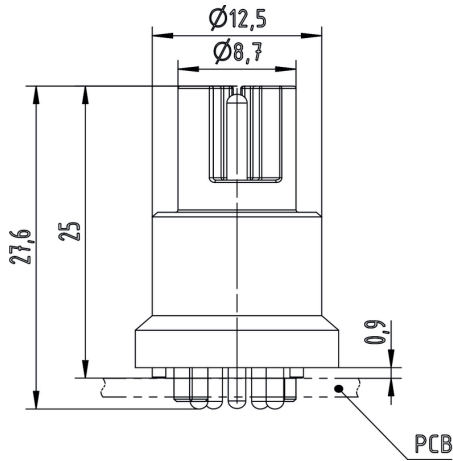
**SAID-M12BL-5-SMT**

**Weidmüller Interface GmbH & Co. KG**  
Klingenbergstraße 26  
D-32758 Detmold  
Germany

[www.weidmueller.com](http://www.weidmueller.com)

**Drawings**

**Dimensioned drawing**



**PCB design**

