

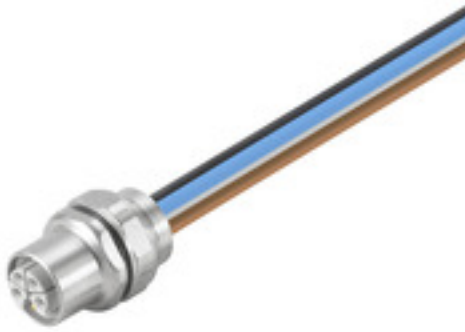
**SAIE-M12BL-0.3VFM16-2.5****Weidmüller Interface GmbH & Co. KG**

Klingenbergstraße 26

D-32758 Detmold

Germany

www.weidmueller.com



Your peripheral devices should be supplied with greater power. With our new M12 plug-in connector, more than 250 V and 2 A is possible without problems. The compact A-, K-, L-, S- and T-coded M12 plug-in connectors are designed for the transmission of up to 630 V AC or 60 V DC and 12 A.

**General ordering data**

Version	Built-in plugs, M12, Female socket, straight, Mounting thread: M 16, Number of poles: 5, Strand / cable length:
Order No.	<a href="#">2530800000</a>
Type	SAIE-M12BL-0.3VFM16-2.5
GTIN (EAN)	4050118540925
Qty.	1 pc(s).

Creation date December 4, 2023 1:49:14 PM CET

Catalogue status 24.11.2023 / We reserve the right to make technical changes.

**SAIE-M12BL-0.3VFM16-2.5****Weidmüller Interface GmbH & Co. KG**

Klingenbergstraße 26

D-32758 Detmold

Germany

www.weidmueller.com

**Technical data****Dimensions and weights**

Net weight 50 g

**Technical data customisable plug-in connectors**

Coding	L-coded	Contact material	Cu
Contact surface	Gold-plated	Housing main material	Zinc diecast
Number of poles	5	Protection degree	IP67, when screwed in
Rated current	16 A	Rated voltage	63 V
Temperature range of housing	-40 ... +85 °C		

**General data**

Cable length	0.3 m	Coding	L-coded
Conductor O.D.	-	Connection thread	M12
Contact material	Cu	Contact surface	Gold-plated
Core cross-section	2.5 mm <sup>2</sup>	Housing main material	Zinc diecast
Mounting thread	M 16	Number of poles	5
Protection degree	IP67, when screwed in	Rated current	16 A
Rated voltage	63 V	Temperature range of housing	-40 ... +85 °C
Type of mounting	Front mounting		

**Classifications**

ETIM 6.0	EC002635	ETIM 7.0	EC003570
ETIM 8.0	EC003570	ETIM 9.0	EC003570
ECLASS 9.0	27-44-01-03	ECLASS 9.1	27-44-01-03
ECLASS 10.0	27-44-01-03	ECLASS 11.0	27-44-01-03
ECLASS 12.0	27-44-01-03	ECLASS 13.0	27440103

**Environmental Product Compliance**

REACH SVHC	Lead 7439-92-1
SCIP	ebf89fc8-a87f-4691-b87a-dfb9921774b4

**Approvals**

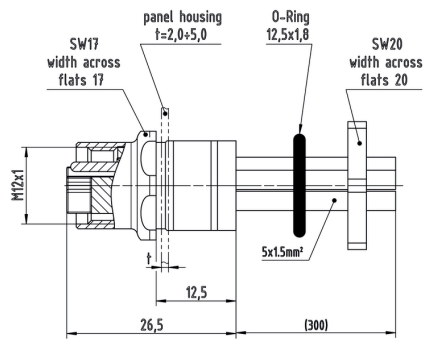
ROHS	Conform
------	---------

**Downloads**Catalogues [Catalogues in PDF-format](#)

**SAIE-M12BL-0.3VFM16-2.5**

**Weidmüller Interface GmbH & Co. KG**  
Klingenbergstraße 26  
D-32758 Detmold  
Germany

[www.weidmueller.com](http://www.weidmueller.com)

**Drawings****Dimensioned drawing****Installation cut-out**