

## BCF 3.81/18/180LRZE SN OR BX

**Weidmüller Interface GmbH & Co. KG**

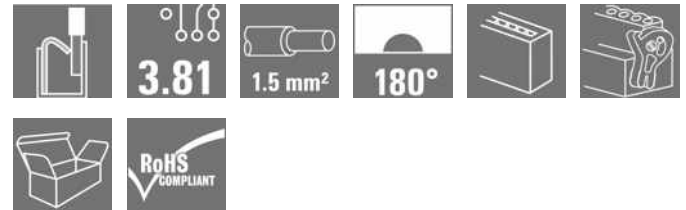
Klingenbergstraße 26

D-32758 Detmold

Germany

www.weidmueller.com

### Product image



PUSH IN - Weidmüller's innovative connection system simplifies the wire connection process.

The benefits for users and applications:

- High packaging density due to very low component height. Simply insert the prepared wire - finished
- High component density with the compact SCDN / SCDN-THR two-tier pin header
- Simplified processing due to integrated push buttons for opening the clamping unit
- Intuitive handling – since the wire-entry area and handling area are clearly separated
- tool-free locking and releasing when using Weidmüller's patented release latch (LR)

The Weidmüller plug-in connectors, pitch 3.81 mm (0.15 inch), are compatible with the layout of customary plug-in connectors, can be coded and provide space for printing.

### General ordering data

|              |   |
|--------------|---|
| Version      | PCB plug-in connector, female plug, 3.81 mm, Number of poles: 18, 180°, PUSH IN with actuator, Tension-clamp connection, Clamping range, max. : 1.5 mm <sup>2</sup> , Box |
| Order No.    | <a href="#">2442950000</a>  |
| Type         | BCF 3.81/18/180LRZE SN OR BX  |
| GTIN (EAN)   | 4050118542950   |
| Qty.         | 50 pc(s).   |
| Product data | IEC: 320 V / 17.5 A / 0.14 - 1.5 mm <sup>2</sup><br>UL: 300 V / 10 A / AWG 26 - AWG 16  |
| Packaging    | Box   |

## BCF 3.81/18/180LRZE SN OR BX

Weidmüller Interface GmbH &amp; Co. KG

Klingenbergstraße 26

D-32758 Detmold

Germany

www.weidmueller.com

## Technical data

## Dimensions and weights

|            |          |                 |            |
|------------|----------|-----------------|------------|
| Depth      | 34.6 mm  | Depth (inches)  | 1.362 inch |
| Height     | 15.09 mm | Height (inches) | 0.594 inch |
| Width      | 79.17 mm | Width (inches)  | 3.117 inch |
| Net weight | 14.54 g  |                 |            |

## Temperatures

|                             |        |                             |        |
|-----------------------------|--------|-----------------------------|--------|
| Operating temperature, min. | -50 °C | Operating temperature, max. | 120 °C |
|-----------------------------|--------|-----------------------------|--------|

## System Parameters

|  |   |  |                              |
|--|---|--|------------------------------|
| Product family                               | OMNIMATE Signal - series BC/SC 3.81             | Type of connection                         | Field connection             |
| Wire connection method                       | PUSH IN with actuator, Tension-clamp connection | Pitch in mm (P)                            | 3.81 mm                      |
| Pitch in inches (P)                          | 0.15 inch                                       | Conductor outlet direction                 | 180°                         |
| Number of poles                              | 18  | L1 in mm                                   | 64.77 mm                     |
| L1 in inches                                 | 2.55 inch                                       | Number of rows                             | 1                            |
| Pin series quantity                          | 1   | Rated cross-section                        | 1 mm <sup>2</sup>            |
| Touch-safe protection acc. to DIN VDE 57 106 | Safe from finger touch                          | Touch-safe protection acc. to DIN VDE 0470 | IP20 plugged/ IP10 unplugged |
| Protection degree                            | IP20  | Volume resistance                          | ≤5 mΩ                        |
| Can be coded                                 | Yes   | Stripping length                           | 9 mm                         |
| Screwdriver blade                            | 0.4 x 2.5                                       | Screwdriver blade standard                 | DIN 5264                     |
| Plugging cycles                              | 25  | Plugging force/pole, max.                  | 8 N                          |
| Pulling force/pole, max.                     | 7 N   |  |                              |

## Material data

|                                       |                  |                                       |        |
|---------------------------------------|------------------|---------------------------------------|--------|
| Insulating material                   | PA 66 GF 30      | Colour                                | orange |
| Colour chart (similar)                | RAL 2000         | Insulating material group             | II     |
| Comparative Tracking Index (CTI)      | ≥ 550            | UL 94 flammability rating             | V-0    |
| Contact material                      | Copper alloy     | Contact surface                       | tinned |
| Layer structure of plug contact       | 4...8 μm Sn matt | Storage temperature, min.             | -40 °C |
| Storage temperature, max.             | 70 °C            | Operating temperature, min.           | -50 °C |
| Operating temperature, max.           | 120 °C           | Temperature range, installation, min. | -25 °C |
| Temperature range, installation, max. | 120 °C           |                                       |        |

## Conductors suitable for connection

|   |                      |
|---|----------------------|
| Clamping range, min.                            | 0.14 mm <sup>2</sup> |
| Clamping range, max.                            | 1.5 mm <sup>2</sup>  |
| Wire connection cross section AWG, min.         | AWG 26               |
| Wire connection cross section AWG, max.         | AWG 16               |
| Solid, min. H05(07) V-U                         | 0.14 mm <sup>2</sup> |
| Solid, max. H05(07) V-U                         | 1.5 mm <sup>2</sup>  |
| Flexible, min. H05(07) V-K                      | 0.14 mm <sup>2</sup> |
| Flexible, max. H05(07) V-K                      | 1.5 mm <sup>2</sup>  |
| w. plastic collar ferrule, DIN 46228 pt 4, min. | 0.25 mm <sup>2</sup> |
| w. plastic collar ferrule, DIN 46228 pt 4, max. | 1 mm <sup>2</sup>    |
| w. wire end ferrule, DIN 46228 pt 1, min.       | 0.25 mm <sup>2</sup> |

Creation date May 3, 2023 2:48:58 PM CEST

## BCF 3.81/18/180LRZE SN OR BX

**Weidmüller Interface GmbH & Co. KG**  
 Klingenbergstraße 26  
 D-32758 Detmold  
 Germany

www.weidmueller.com

## Technical data

w. wire end ferrule, DIN 46228 pt 1, max. 1.5 mm<sup>2</sup>

Plug gauge in accordance with EN 60999 a x b; ø 2.4 mm x 1.5 mm; 1.9mm

| Clampable conductor                    | Cross-section for conductor connection | Type                         | fine-wired                  |
|--|--|------------------------------|-----------------------------|
|  |  | nominal                      | 0.5 mm <sup>2</sup>         |
| wire end ferrule                       | wire end ferrule                       | Stripping length             | nominal 12 mm               |
|  |  | Recommended wire-end ferrule | <a href="#">H0.5/16 OR</a>  |
|  |  | Stripping length             | nominal 10 mm               |
|  |  | Recommended wire-end ferrule | <a href="#">H0.5/10</a>     |
| Cross-section for conductor connection | Type                                   | fine-wired                   |                             |
|  | nominal                                | 0.75 mm <sup>2</sup>         |                             |
| wire end ferrule                       | wire end ferrule                       | Stripping length             | nominal 12 mm               |
|  |  | Recommended wire-end ferrule | <a href="#">H0.75/16 W</a>  |
|  |  | Stripping length             | nominal 10 mm               |
|  |  | Recommended wire-end ferrule | <a href="#">H0.75/10</a>    |
| Cross-section for conductor connection | Type                                   | fine-wired                   |                             |
|  | nominal                                | 1 mm <sup>2</sup>            |                             |
| wire end ferrule                       | wire end ferrule                       | Stripping length             | nominal 12 mm               |
|  |  | Recommended wire-end ferrule | <a href="#">H1.0/16D R</a>  |
|  |  | Stripping length             | nominal 10 mm               |
|  |  | Recommended wire-end ferrule | <a href="#">H1.0/10</a>     |
| Cross-section for conductor connection | Type                                   | fine-wired                   |                             |
|  | nominal                                | 0.34 mm <sup>2</sup>         |                             |
| wire end ferrule                       | wire end ferrule                       | Stripping length             | nominal 10 mm               |
|  |  | Recommended wire-end ferrule | <a href="#">H0.34/12 TK</a> |

Reference text The outside diameter of the plastic collar should not be larger than the pitch (P), Length of ferrules is to be chosen depending on the product and the rated voltage.

### Rated data acc. to IEC

| tested acc. to standard   | IEC 60664-1, IEC 61984 | Rated current, min. number of poles (Tu=20°C)                         | 17.5 A           |
|---|------------------------|---|------------------|
| Rated current, max. number of poles (Tu=20°C)                             | 17.5 A                 | Rated current, min. number of poles (Tu=40°C)                         | 17.5 A           |
| Rated current, max. number of poles (Tu=40°C)                             | 16.3 A                 | Rated voltage for surge voltage class / pollution degree II/2         | 320 V            |
| Rated voltage for surge voltage class / pollution degree III/2            | 160 V                  | Rated voltage for surge voltage class / pollution degree III/3        | 160 V            |
| Rated impulse voltage for surge voltage class/ pollution degree II/2      | 2.5 kV                 | Rated impulse voltage for surge voltage class/ pollution degree III/2 | 2.5 kV           |
| Rated impulse voltage for surge voltage class/ contamination degree III/3 | 2.5 kV                 | Short-time withstand current resistance                               | 3 x 1s with 76 A |

### Rated data acc. to CSA

|                                   |        |                                   |        |
|-----------------------------------|--------|-----------------------------------|--------|
| Rated voltage (Use group B / CSA) | 300 V  | Rated voltage (Use group C / CSA) | 50 V   |
| Rated voltage (Use group D / CSA) | 300 V  | Rated current (Use group B / CSA) | 11 A   |
| Rated current (Use group C / CSA) | 11 A   | Rated current (Use group D / CSA) | 11 A   |
| Wire cross-section, AWG, min.     | AWG 26 | Wire cross-section, AWG, max.     | AWG 16 |

## BCF 3.81/18/180LRZE SN OR BX

Weidmüller Interface GmbH &amp; Co. KG

Klingenbergstraße 26

D-32758 Detmold

Germany

www.weidmueller.com

## Technical data

## Rated data acc. to UL 1059

Institute (cURus)



Certificate No. (cURus)

E60693

Rated voltage (Use group B / UL 1059) 300 V

Rated voltage (Use group D / UL 1059) 300 V

Rated current (Use group B / UL 1059) 10 A

Rated current (Use group D / UL 1059) 10 A

Wire cross-section, AWG, min. AWG 26

Wire cross-section, AWG, max. AWG 16

Reference to approval values

Specifications are maximum values, details - see approval certificate.

## Packing

|           |        |            |        |
|-----------|--------|------------|--------|
| Packaging | Box    | VPE length | 165 mm |
| VPE width | 118 mm | VPE height | 46 mm  |

## Type tests

|  |            |                    |
|--|------------|--------------------|
| Test: Misengagement (Non-interchangeability) | Test       | visual examination |
|  | Evaluation | passed             |

## Classifications

|             |             |             |             |
|-------------|-------------|-------------|-------------|
| ETIM 6.0    | EC002638    | ETIM 7.0    | EC002638    |
| ETIM 8.0    | EC002638    | ECLASS 9.0  | 27-44-03-09 |
| ECLASS 9.1  | 27-44-03-09 | ECLASS 10.0 | 27-44-03-09 |
| ECLASS 11.0 | 27-46-02-02 | ECLASS 12.0 | 27-46-02-02 |

## Important note

IPC conformity Conformity: The products are developed, manufactured and delivered according international recognized standards and norms and comply with the assured properties in the data sheet resp. fulfill decorative properties in accordance with IPC-A-610 "Class 2". Further claims on the products can be evaluated on request.

Notes

- Additional variants on request
- Rated current related to rated cross-section & min. No. of poles.
- P on drawing = pitch
- Conductors suitable for connection: 1.5 mm<sup>2</sup> with wire-end ferrule with plastic collar, DIN 46 228/1, with a rated voltage of 125V/2.5 kV with III/3 or 250 V/2.5 kV with II/2
- Crimp shape A for wire-end ferrules with crimping tools PZ 1,5 (order no. 9005990000) or PZ 6/5 (order no. 9011460000) for larger wire cross-sections recommended.
- Wire end ferrule without plastic collar to DIN 46228/1
- Wire end ferrule with plastic collar to DIN 46228/4
- Rated data refer only to the component itself. Clearance and creepage distances to other components are to be designed in accordance with the relevant application standards.
- The test point can only be used as potential-pickup point.
- Long term storage of the product with average temperature of 50 °C and average humidity 70%, 36 months

Creation date May 3, 2023 2:48:58 PM CEST

Catalogue status 28.04.2023 / We reserve the right to make technical changes.

4

**Data sheet**

**BCF 3.81/18/180LRZE SN OR BX**

**Weidmüller Interface GmbH & Co. KG**  
 Klingenbergstraße 26  
 D-32758 Detmold  
 Germany

www.weidmueller.com

**Technical data**

**Approvals**

Approvals



|                         |            |
|-------------------------|------------|
| ROHS                    | Conform    |
| UL File Number Search   | UL Website |
| Certificate No. (cURus) | E60693     |

**Downloads**

|   |  |
|---|--|
| Approval/Certificate/Document of Conformity | <a href="#">CB Certificate</a><br><a href="#">CB Testreport</a>  |
| Engineering Data                            | <a href="#">CAD data – STEP</a>  |
| Product Change Notification                 | <a href="#">PCN_2017_190_PL30X_BL_381_Lock_Release_lever_EN</a><br><a href="#">PCN_2017_190_PL30X_BL_381_Löseriegel_DE</a> |
| Catalogues                                  | <a href="#">Catalogues in PDF-format</a>   |



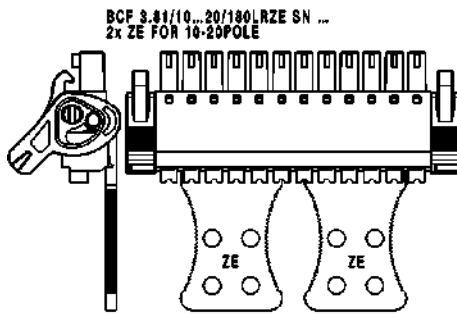
**BCF 3.81/18/180LRZE SN OR BX**

**Weidmüller Interface GmbH & Co. KG**  
Klingenbergstraße 26  
D-32758 Detmold  
Germany

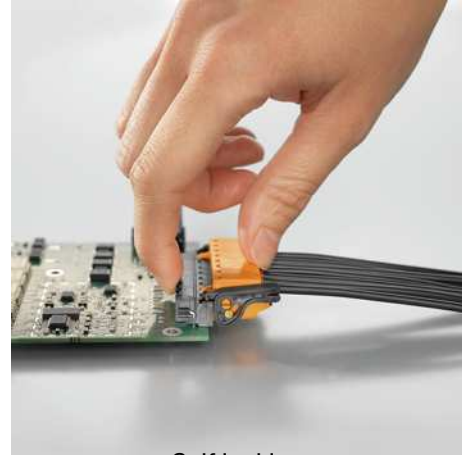
[www.weidmueller.com](http://www.weidmueller.com)

**Drawings**

**Example of use**



**Product benefits**



Self-locking  
Immediately on plugging in

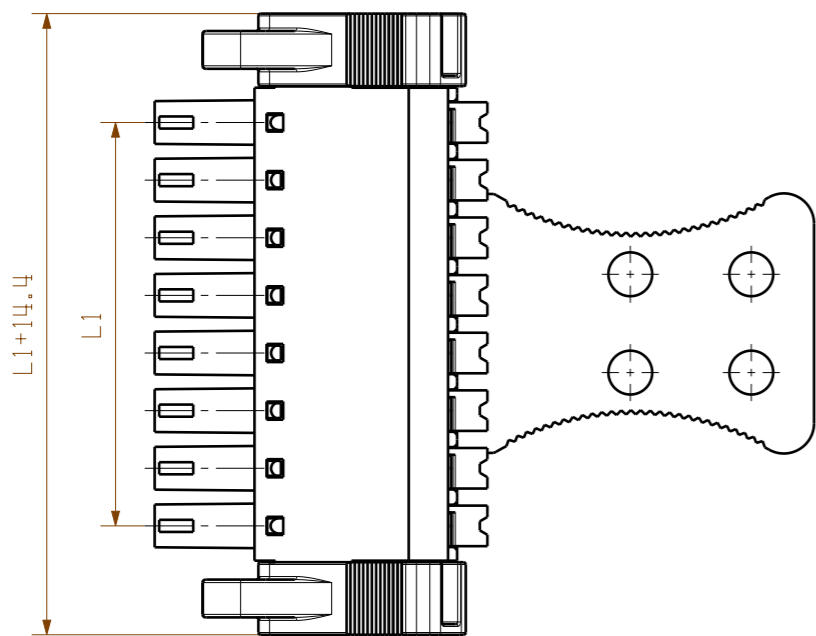
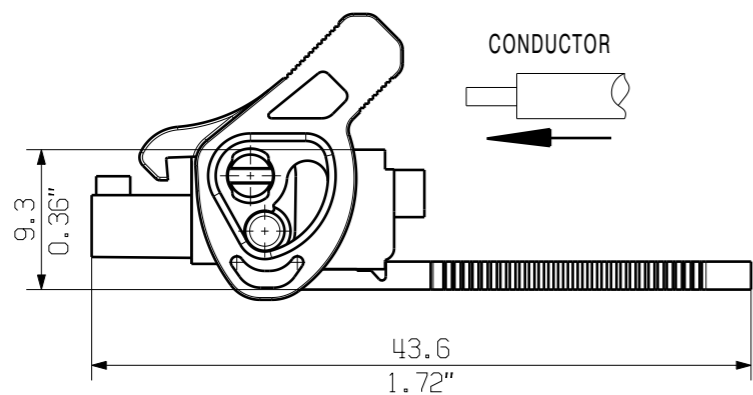
**Product benefits**



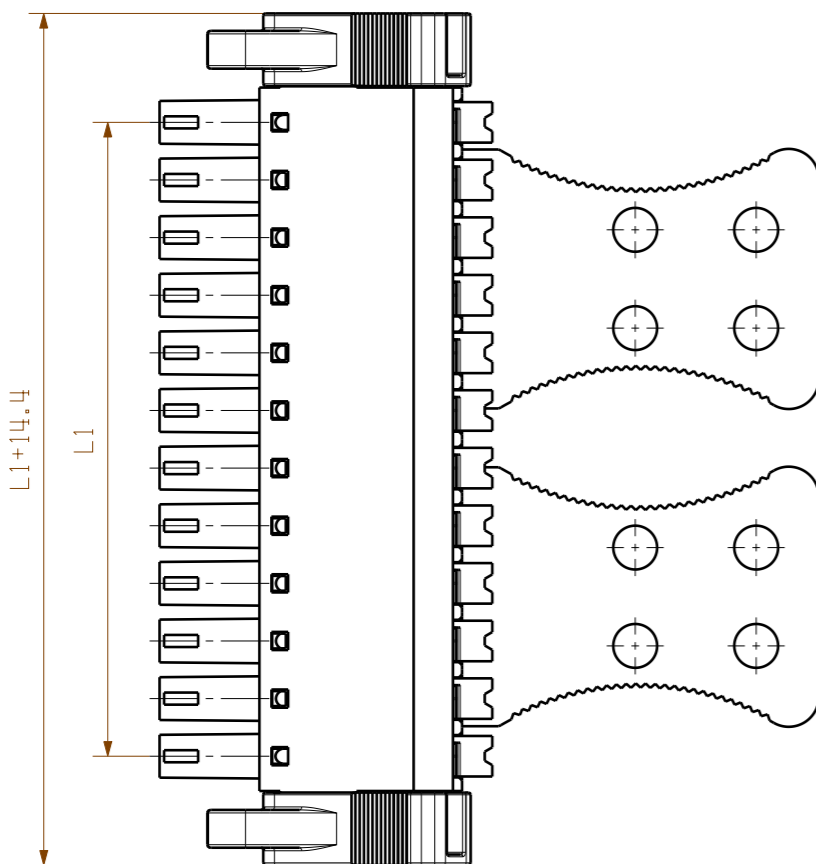
Solid PUSH IN contact  
Safe and durable

MASSE OHNE TOLERANZ SIND KEINE PRUEFMASSE  
 DIMS. WITHOUT TOLERANCE ARE NOT CONTROL DIMS.

BCF 3.81\_180LRZE



4- 9 POLE



10- 18 POLE

KUNDENZEICHUNG  
 CUSTOMER DRAWING

|    |         |           |
|----|---------|-----------|
| 18 | 64.77   | 2.550     |
| 17 | 60.96   | 2.400     |
| 16 | 57.15   | 2.250     |
| 15 | 53.34   | 2.100     |
| 14 | 49.53   | 1.950     |
| 13 | 45.72   | 1.800     |
| 12 | 41.91   | 1.650     |
| 11 | 38.10   | 1.500     |
| 10 | 34.29   | 1.350     |
| 9  | 30.48   | 1.200     |
| 8  | 26.67   | 1.050     |
| 7  | 22.86   | 0.900     |
| 6  | 19.05   | 0.750     |
| 5  | 15.24   | 0.600     |
| 4  | 11.43   | 0.450     |
| 3  | 7.62    | 0.300     |
| 2  | 3.81    | 0.150     |
| n  | L1 [mm] | L1 [inch] |

For the mounting of PCBs, it should be noted that the rated data given in the catalogue relates only to the connection elements. The necessary creepage and clearance paths must be observed in connection with the respective applicant in accordance to VDE 0110. The current- carrying capacity and pitch tolerance is to be determined according to DIN IEC 326 part 3 very fine.

Weidmüller connectors are tested to the DIN VDE 0627 standard, and are valid for its field of application. Provided that the connectors are used to the intended purpose, all requirements with respect to the occurring of electrical, mechanical, thermic and corrosive stress will be satisfied.

|                           |  |                             |  |  |  |
|---------------------------|--|-----------------------------|--|--|--|
| MAX. NRN./NOS. ?          |  | 55304/5<br>18.05.11 GE_G 00 |  | CAT.NO.:   |  |
| MODIFICATION              |  | <b>Weidmüller</b>           |  | <b>C 40414</b>   |  |
| DRAWN 27.12.2006 XU_S     |  | DATE NAME                   |  | DRAWING NO. SHEET 07 OF 08 SHEETS                            |  |
| RESPONSIBLE GE_G          |  | 27.12.2006 XU_S             |  | ISSUE NO. 07   |  |
| CHECKED 03.06.2011 ZHOU_N |  | APPROVED XU_S               |  | <b>BCF 3.81/.../180LRZE</b><br>BUCHSENLEISTE<br>SOCKET BLOCK |  |
| SCALE: 2/1                |  | PRODUCT FILE: BCF 3.81      |  | 7072   |  |
| SUPERSEDES:               |  |                             |  |  |  |

WERTUNG UND MITTELUNG SEINES INHALTS SIND VERBOTEN, SOWEIT NICHT AUSDRUECKLICH GESTATTET.  
 ZUWIDERHANDLUNGEN VERPFLICHTEN ZU SCHADENERSATZ. ALLE RECHTE FUER DEN FALL DER PATENT- GEBRAUCHSMUSTER- ODER GESCHMACKSMUSTEREINTRAGUNG VORBEHALTEN.  
 THE REPRODUCTION, DISTRIBUTION AND UTILIZATION OF THIS DOCUMENT AS WELL AS THE COMMUNICATION OF ITS CONTENTS TO OTHERS WITHOUT EXPLICIT AUTHORIZATION IS PROHIBITED.  
 OFFENDERS WILL BE HELD LIABLE FOR THE PAYMENT OF DAMAGES. WEIDMUELLER EXCLUSIVELY RESERVES THE RIGHT TO FILE FOR PATENTS, UTILITY MODELS OR DESIGNS.  
 WEIDMUELLER INTERFACE GmbH & Co.KG