

SAIE-M12B-5-0.2V-HW-M16**Weidmüller Interface GmbH & Co. KG**

Klingenbergstraße 26

D-32758 Detmold

Germany

www.weidmueller.com

Product image, Similar to illustration

Various build-in connectors are required for the connections on the device side of the sensor/actuator cabling. These are available in the versions M12, M8 and M5.

General ordering data

Version	Built-in plugs, M12, Female socket, straight, Mounting thread: M16, Number of poles: 5, Strand / cable length: 0.2 m, Rear panel mounting
Order No.	2036550000
Type	SAIE-M12B-5-0.2V-HW-M16
GTIN (EAN)	4050118408300
Qty.	1 pc(s).

Creation date December 1, 2023 4:16:26 PM CET

Catalogue status 24.11.2023 / We reserve the right to make technical changes.

SAIE-M12B-5-0.2V-HW-M16**Weidmüller Interface GmbH & Co. KG**

Klingenbergstraße 26

D-32758 Detmold

Germany

www.weidmueller.com

Technical data**Dimensions and weights**

Net weight 20 g

Technical data customisable plug-in connectors

Coding	A-coded	Contact surface	Gold-plated
Housing main material	Zinc diecast	Number of poles	5
Pollution severity	3	Protection degree	IP67, when screwed in
Rated current	4 A	Rated voltage	60 V
Temperature range of housing	-30...+90 °C		

Standards

Connector standard IEC 61076-2-101

General data

AF size	19 mm	Coding	A-coded
Conductor O.D.	-	Connection thread	M12
Contact surface	Gold-plated	Core cross-section	0.75 mm ²
Housing main material	Zinc diecast	Mounting thread	M16
Number of poles	5	Pollution severity	3
Protection degree	IP67, when screwed in	Rated current	4 A
Rated voltage	60 V	Strand / cable length	0.2 m
Temperature range of housing	-30...+90 °C	Type of mounting	Rear panel mounting

Classifications

ETIM 6.0	EC002635	ETIM 7.0	EC003570
ETIM 8.0	EC003570	ETIM 9.0	EC003570
ECLASS 9.0	27-44-01-03	ECLASS 9.1	27-44-01-03
ECLASS 10.0	27-44-01-03	ECLASS 11.0	27-44-01-03
ECLASS 12.0	27-44-01-03	ECLASS 13.0	27440103

Environmental Product Compliance

REACH SVHC	Lead 7439-92-1
SCIP	ebf89fc8-a87f-4691-b87a-dfb9921774b4

Approvals

ROHS Conform

Downloads

Catalogues	Catalogues in PDF-format
Brochures	FL FIELDWIRING EN

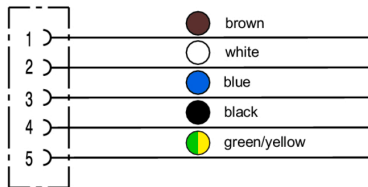
SAIE-M12B-5-0.2V-HW-M16

Weidmüller Interface GmbH & Co. KG
 Klingenbergstraße 26
 D-32758 Detmold
 Germany

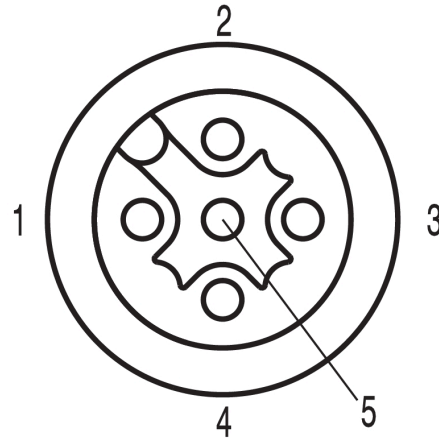
www.weidmueller.com

Drawings

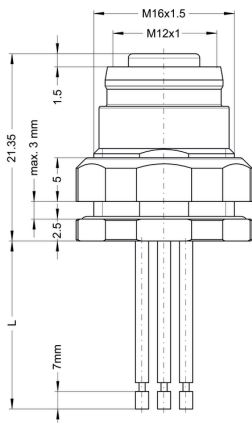
Wiring diagram



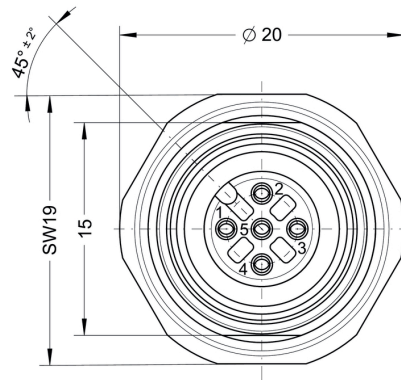
Pole scheme



Dimensioned drawing



Dimensioned drawing



Detailed drawing

