

**Industrial Ethernet
IE-OM-V01M-K21-2S**

Weidmüller Interface GmbH & Co. KG
Klingenbergstraße 26
D-32758 Detmold
Germany
Fon: +49 5231 14-0
Fax: +49 5231 14-292083
www.weidmueller.com



Similar to illustration

Junction box, design for bayonet plug-in connectors ver.1
according to IEC 61076-3-106, metal

General ordering data

Type	IE-OM-V01M-K21-2S
Order No.	1966330000
Version	Junction box, IP67, Variant 1, 2 ports, straight
GTIN (EAN)	4032248658527
Qty.	1 pc(s).

Creation date August 16, 2020 5:47:08 PM CEST

Catalogue status 24.07.2020 / We reserve the right to make technical changes.

**Industrial Ethernet
IE-OM-V01M-K21-2S**

Weidmüller Interface GmbH & Co. KG
 Klingenbergstraße 26
 D-32758 Detmold
 Germany
 Fon: +49 5231 14-0
 Fax: +49 5231 14-292083
 www.weidmueller.com

Technical data**Dimensions and weights**

Length	125 mm	Length (inches)	4.921 inch
Width	136 mm	Width (inches)	5.354 inch
Depth	57 mm	Depth (inches)	2.244 inch
Net weight	652 g		

Temperatures

Operating temperature, max.	70 °C	Operating temperature, min.	-40 °C
Operating temperature	-40 °C...70 °C		

Environmental Product Compliance

REACH SVHC	Lead 7439-92-1
------------	----------------

General data

Colour	grey	Housing main material	AL-Si 12
Plugging cycles	750	Protection degree	IP67
Sheath diameter, max.	10 mm	Sheath diameter, min.	5 mm
Type of mounting	Floor-mounted, Wall mounting		

General standards

Connector standard	IEC 61076-3-106 Var. 1
--------------------	------------------------

Classifications

ETIM 6.0	EC000261	ETIM 7.0	EC000261
eClass 9.0	27-18-01-01	eClass 9.1	27-18-92-90
eClass 10.0	27-18-01-01	UNSPSC	30-21-18-18

Approvals

Approvals



ROHS	Conform
------	---------

Downloads

Approval/Certificate/Document of Conformity	GOST Approval
Brochure/Catalogue	CAT 9 IETH 18/19 EN MB FREECONTACT EN FL FIELDWIRING EN PI PROFINET CABLING EN
Engineering Data	EPLAN, WSCAD
User Documentation	MAN IE GUIDE DE MAN IE GUIDE EN

Creation date August 16, 2020 5:47:08 PM CEST

Catalogue status 24.07.2020 / We reserve the right to make technical changes.

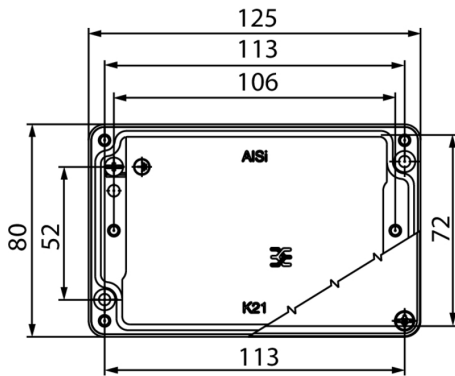
Data sheet

**Industrial Ethernet
IE-OM-V01M-K21-2S**

Weidmüller Interface GmbH & Co. KG
Klingenbergstraße 26
D-32758 Detmold
Germany
Fon: +49 5231 14-0
Fax: +49 5231 14-292083
www.weidmueller.com

Drawings

Dimensioned drawing



Drawing

