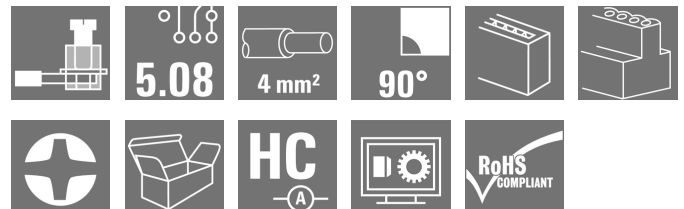


OMNIMATE Signal - series BL/SL 5.08 BLZP 5.08HC/15/90 SN BK BX

Weidmüller Interface GmbH & Co. KG
Klingenbergstraße 26
D-32758 Detmold
Germany
Fon: +49 5231 14-0
Fax: +49 5231 14-292083
www.weidmueller.com

Product image



Similar to illustration

Female plugs with clamping-yoke connection for connecting wires with a right-angle (90° or 270°) outlet direction. The female connectors provide space for labelling and can be coded. Fastened by means of a flange or release latch. They also provide an integrated plus/minus screw, protection against faulty insertion of the wire, and they are delivered with open clamping yokes. HC = High Current.

General ordering data

| | |
|--------------|--|
| Type | BLZP 5.08HC/15/90 SN BK BX |
| Order No. | 1948370000 |
| Version | PCB plug-in connector, female plug, 5.08 mm, Number of poles: 15, 90°, Clamping yoke connection, Clamping range, max. : 4 mm², Box |
| GTIN (EAN) | 4032248624898 |
| Qty. | 24 pc(s). |
| Product data | IEC: 400 V / 23 A / 0.2 - 4 mm² UL: 300 V / 20 A / AWG 26 - AWG 12 |
| Packaging | Box |

Creation date April 26, 2020 9:44:40 PM CEST

**OMNIMATE Signal - series BL/SL 5.08
BLZP 5.08HC/15/90 SN BK BX**

Weidmüller Interface GmbH & Co. KG
 Klingenbergstraße 26
 D-32758 Detmold
 Germany
 Fon: +49 5231 14-0
 Fax: +49 5231 14-292083
 www.weidmueller.com

Technical data**Dimensions and weights**

| | | | |
|------------|----------|-----------------|------------|
| Width | 76.2 mm | Width (inches) | 3 inch |
| Height | 14.1 mm | Height (inches) | 0.555 inch |
| Depth | 27.2 mm | Depth (inches) | 1.071 inch |
| Net weight | 29.833 g | | |

System Parameters

| | | | |
|--|--|----------------------------|-----------------------|
| Product family | OMNIMATE Signal - series BL/SL 5.08 | Type of connection | Field connection |
| Wire connection method | Clamping yoke connection | Pitch in mm (P) | 5.08 mm |
| Pitch in inches (P) | 0.2 inch | Conductor outlet direction | 90° |
| Number of poles | 15 | L1 in mm | 71.12 mm |
| L1 in inches | 2.8 inch | Number of rows | 1 |
| Pin series quantity | 1 | Rated cross-section | 4 mm ² |
| Touch-safe protection acc. to DIN VDE 57 106 | Safe from finger touch | Volume resistance | ≤ 5mΩ |
| Can be coded | Yes | Stripping length | 7 mm |
| Tightening torque, min. | 0.4 Nm | Tightening torque, max. | 0.5 Nm |
| Clamping screw | M 2.5 | Screwdriver blade | 0.6 x 3.5, PH 1, PZ 1 |
| Screwdriver blade standard | DIN 5264, ISO 8764/2-PH, ISO 8764/2-PZ | Plugging cycles | 25 |
| Plugging force/pole, max. | 10 N | Pulling force/pole, max. | 9 N |

Material data

| | | | |
|---------------------------------------|--------------------------|---------------------------------------|---------------------|
| Insulating material | PBT | Colour | black |
| Colour chart (similar) | RAL 9011 | Insulating material group | Illa |
| Comparative Tracking Index (CTI) | ≥ 200 | Insulation strength | ≥ 10 ⁸ Ω |
| UL 94 flammability rating | V-0 | GWFI | 960 °C |
| Contact material | Copper alloy | Contact surface | tinned |
| Layer structure of plug contact | 4-8 μm Sn hot-dip tinned | Storage temperature, min. | -25 °C |
| Storage temperature, max. | 50 °C | Max. relative humidity during storage | 70 % |
| Operating temperature, min. | -50 °C | Operating temperature, max. | 100 °C |
| Temperature range, installation, min. | -25 °C | Temperature range, installation, max. | 100 °C |

Conductors suitable for connection

| | | | |
|---|----------------------|---|--|
| Clamping range, min. | 0.13 mm ² | Clamping range, max. | 4 mm ² |
| Wire connection cross section AWG, min. | AWG 30 | Wire connection cross section AWG, max. | AWG 12 |
| Solid, min. H05(07) V-U | 0.2 mm ² | Solid, max. H05(07) V-U | 4 mm ² |
| Flexible, min. H05(07) V-K | 0.2 mm ² | Flexible, max. H05(07) V-K | 4 mm ² |
| w. plastic collar ferrule, DIN 46228 pt 4, min. | 0.2 mm ² | w. plastic collar ferrule, DIN 46228 pt 4, max. | 2.5 mm ² |
| w. wire end ferrule, DIN 46228 pt 1, min. | 0.2 mm ² | w. wire end ferrule, DIN 46228 pt 1, max. | 4 mm ² |
| Plug gauge in accordance with EN 60999 a x b; ø | 2.8 mm x 2.4 mm | Reference text | The outside diameter of the plastic collar should not be larger than the pitch (P). Length of ferrules is to be chosen depending on the product and the rated voltage. |
| Max. clamping range | 4 mm ² | | |


**OMNIMATE Signal - series BL/SL 5.08
BLZP 5.08HC/15/90 SN BK BX**

Weidmüller Interface GmbH & Co. KG
 Klingenbergstraße 26
 D-32758 Detmold
 Germany
 Fon: +49 5231 14-0
 Fax: +49 5231 14-292083
 www.weidmueller.com


Technical data**Rated data acc. to IEC**

| | | | |
|---|------------------------|---|-------------------|
| tested acc. to standard | IEC 60664-1, IEC 61984 | Rated current, min. number of poles (Tu=20°C) | 23 A |
| Rated current, max. number of poles (Tu=20°C) | 18 A | Rated current, min. number of poles (Tu=40°C) | 21 A |
| Rated current, max. number of poles (Tu=40°C) | 16 A | Rated voltage for surge voltage class / pollution degree II/2 | 400 V |
| Rated voltage for surge voltage class / pollution degree III/2 | 320 V | Rated voltage for surge voltage class / pollution degree III/3 | 250 V |
| Rated impulse voltage for surge voltage class/ pollution degree II/2 | 4 kV | Rated impulse voltage for surge voltage class/ pollution degree III/2 | 4 kV |
| Rated impulse voltage for surge voltage class/ contamination degree III/3 | 4 kV | Short-time withstand current resistance | 3 x 1s with 120 A |

Rated data acc. to CSA

| | | | |
|-----------------------------------|---|-----------------------------------|--|
| Institute (CSA) |  | Certificate No. (CSA) | 200039-1121690 |
| Rated voltage (Use group B / CSA) | 300 V | Rated voltage (Use group C / CSA) | 50 V |
| Rated voltage (Use group D / CSA) | 300 V | Rated current (Use group B / CSA) | 20 A |
| Rated current (Use group D / CSA) | 20 A | Wire cross-section, AWG, min. | AWG 30 |
| Wire cross-section, AWG, max. | AWG 12 | Reference to approval values | Specifications are maximum values, details - see approval certificate. |

Rated data acc. to UL 1059

| | | | |
|---------------------------------------|---|---------------------------------------|--------|
| Institute (cURus) |  | Certificate No. (cURus) | E60693 |
| Rated voltage (Use group B / UL 1059) | 300 V | Rated voltage (Use group D / UL 1059) | 300 V |
| Rated current (Use group B / UL 1059) | 20 A | Rated current (Use group D / UL 1059) | 10 A |
| Wire cross-section, AWG, min. | AWG 26 | Wire cross-section, AWG, max. | AWG 12 |
| Reference to approval values | Specifications are maximum values, details - see approval certificate. | | |

Packing

| | | | |
|-----------|--------|------------|--------|
| Packaging | Box | VPE length | 20 mm |
| VPE width | 130 mm | VPE height | 350 mm |

Classifications

| | | | |
|-------------|-------------|------------|-------------|
| ETIM 6.0 | EC002638 | ETIM 7.0 | EC002638 |
| eClass 9.0 | 27-44-03-09 | eClass 9.1 | 27-44-03-09 |
| eClass 10.0 | 27-44-03-09 | | |

Data sheet

OMNIMATE Signal - series BL/SL 5.08 BLZP 5.08HC/15/90 SN BK BX

Weidmüller Interface GmbH & Co. KG
Klingenbergstraße 26
D-32758 Detmold
Germany
Fon: +49 5231 14-0
Fax: +49 5231 14-292083
www.weidmueller.com

Technical data

Notes

| | |
|-------|---|
| Notes | <ul style="list-style-type: none"> • Additional colours on request • Gold-plated contact surfaces on request • Rated current related to rated cross-section & min. No. of poles. • Wire end ferrule without plastic collar to DIN 46228/1 • Wire end ferrule with plastic collar to DIN 46228/4 • P on drawing = pitch • Rated data refer only to the component itself. Clearance and creepage distances to other components are to be designed in accordance with the relevant application standards. |
|-------|---|

IPC conformity Conformity: The products are developed, manufactured and delivered according international recognized standards and norms and comply with the assured properties in the data sheet resp. fulfill decorative properties in accordance with IPC-A-610 "Class 2". Further claims on the products can be evaluated on request.

Approvals

Approvals



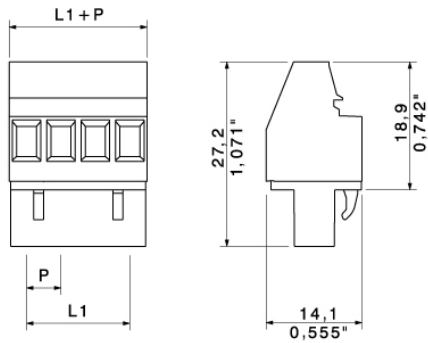
ROHS Conform

Downloads

| | |
|---|--|
| Approval/Certificate/Document of Conformity | Declaration of the Manufacturer |
| Brochure/Catalogue | FL DRIVES EN MB DEVICE MANUF. EN FL DRIVES DE CAT 2 PORTFOLIOGUIDE EN FL BUILDING SAFETY EN FL APPL LED LIGHTING EN FLIndustr.CONTROLS EN FL MACHINE SAFETY EN FL HEATING ELECTR EN FL APPL INVERTER EN FL_BASE_STATION_EN FL ELEVATOR EN FL POWER SUPPLY EN FL 72H SAMPLE SER EN PO OMNIMATE EN |
| Engineering Data | EPLAN, WSCAD, Zuken E3.S |
| Engineering Data | STEP |

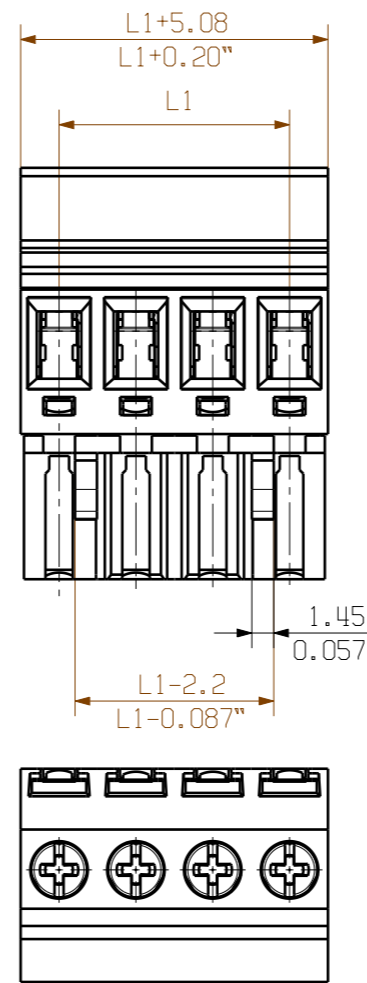
**OMNIMATE Signal - series BL/SL 5.08
BLZP 5.08HC/15/90 SN BK BX**

Weidmüller Interface GmbH & Co. KG
Klingenbergstraße 26
D-32758 Detmold
Germany
Fon: +49 5231 14-0
Fax: +49 5231 14-292083
www.weidmueller.com

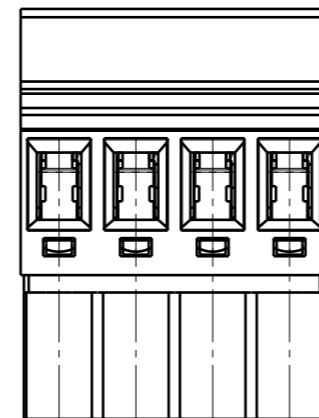
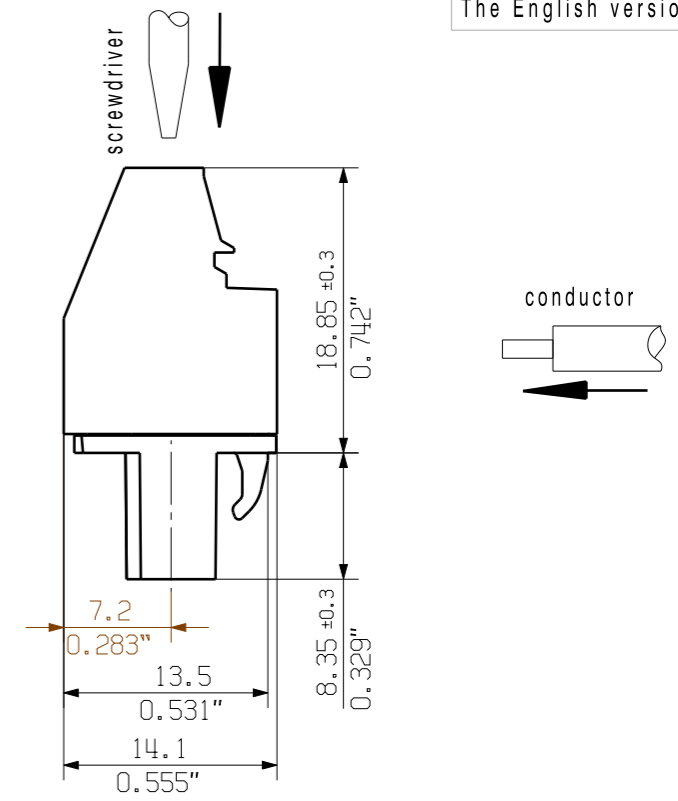
Drawings**Dimensional drawing**

The reproduction, distribution and utilization of this document as well as the communication of its contents to others without explicit authorization is prohibited. Offenders will be held liable for the payment of damages. Weidmüller exclusively reserves the right to file for patents, utility models or designs.

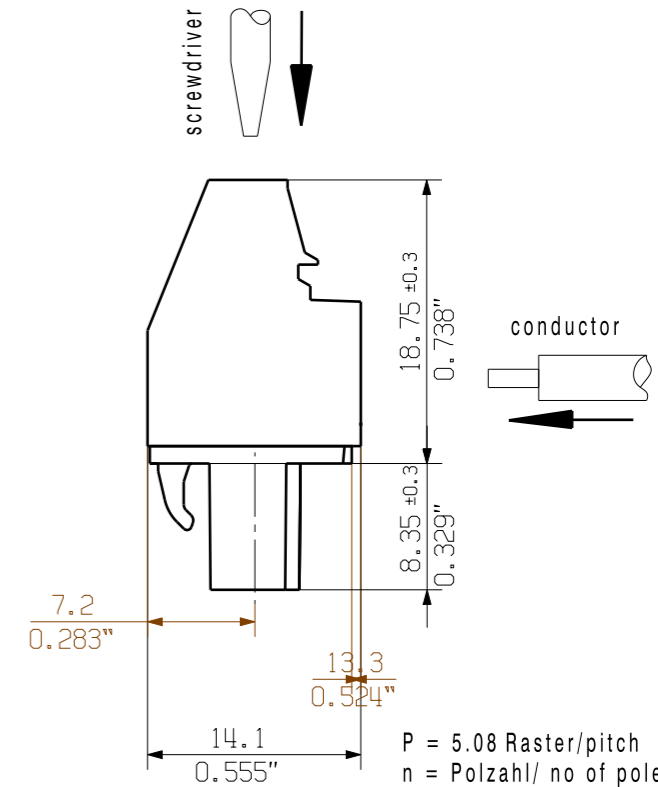
© Weidmüller Interface GmbH & Co. KG



shown:
BLZP 5.08HC/04/90



shown:
BLZP 5.08HC/04/270



| | | |
|----|---------|-----------|
| 24 | 116.84 | 4.60 |
| 23 | 111.76 | 4.40 |
| 22 | 106.68 | 4.20 |
| 21 | 101.60 | 4.00 |
| 20 | 96.52 | 3.80 |
| 19 | 91.44 | 3.60 |
| 18 | 86.36 | 3.40 |
| 17 | 81.28 | 3.20 |
| 16 | 76.20 | 3.00 |
| 15 | 71.12 | 2.80 |
| 14 | 66.04 | 2.60 |
| 13 | 60.96 | 2.40 |
| 12 | 55.88 | 2.20 |
| 11 | 50.80 | 2.00 |
| 10 | 45.72 | 1.80 |
| 9 | 40.64 | 1.60 |
| 8 | 35.56 | 1.40 |
| 7 | 30.48 | 1.20 |
| 6 | 25.40 | 1.00 |
| 5 | 20.32 | 0.80 |
| 4 | 15.24 | 0.60 |
| 3 | 10.16 | 0.40 |
| 2 | 5.08 | 0.20 |
| n | L1 [mm] | L1 [inch] |

P = 5.08 Raster/pitch
n = Polzahl/ no of poles

For the mounting of PCBs, it should be noted that the rated data given in the catalogue relates only to the connection elements. The necessary creepage and clearance paths must be observed in connection with the respective applicant in accordance to VDE 0110. The current-carrying capacity and pitch tolerance is to be determined according to DIN IEC 326 part 3 very fine.

Weidmüller connectors are tested to the DIN VDE 0627 standard, and are valid for its field of application. Provided that the connectors are used to the intended purpose, all requirements with respect to the occurring of electrical, mechanical, thermal and corrosive stress will be satisfied.

| | | | | | |
|---|-------------------|------------|--|---|--------------|
| General tolerance: DIN ISO 2768-mK | 89239/5 | 02 | | Cat.no.: . | |
| | 01.08.16 HELIS_MA | | | 3 39786 12 | |
| | Modification | | Drawing no. Issue no. | | |
| | Drawn | Date | Name | Sheet 01 | of 03 sheets |
| Scale: 2:1 Supersedes: . | Responsible | 10.06.2013 | HERTEL_S | BLZP 5.08HC/.../.../... .. BUCHSENLEISTE SOCKET BLOCK | |
| | Checked | 08.08.2016 | HELIS_MA | | |
| | Approved | | LANG_T | Product file: BLZP 5.08HC | 7159 |