

SAI-4-SH 5P FC

Weidmüller Interfaces GmbH & Co. KG

Postfach 3030

32760 Detmold

Tel. +49 5231 14-0

Fax. +49 5231 14-2083

info@weidmueller.com

www.weidmueller.com



Whereas the standard M12 system requires the sleeves to be laboriously screwed on and that operation is hindered by the vibration guard, M12 Push-Pull works with one click, just like those well-known garden hose systems. The audible locking function guarantees a safe and reliable connection as well as a good seal. The new SAI M12 Push-Pull distributors can be used with M12 plug-in connectors but also with the new M12 Push-Pull plug-in connectors.

General ordering data

Version	Sensor-actuator passive distributor, Push-Pull, M12, with M23 outlet, 19-pole, Yes
Order No.	1859130000
Type	SAI-4-SH 5P FC
GTIN (EAN)	4032248411085
Qty.	1 pc(s).
Available until	2019-07-01

SAI-4-SH 5P FC

Weidmüller Interfaces GmbH & Co. KG

Postfach 3030

32760 Detmold

Tel. +49 5231 14-0

Fax. +49 5231 14-2083

info@weidmueller.com

www.weidmueller.com

Technical data

Dimensions and weights

Height	34.3 mm	Height (inches)	1.35 inch
Width	54 mm	Width (inches)	2.126 inch
Net weight	198 g		

Temperatures

Operating temperature	-25 - 80°C
-----------------------	------------

Connection data

Sheathing stripping length	100 mm	Distributor outlet	with M23 outlet, 19-pole
----------------------------	--------	--------------------	--------------------------

Electrical data

Rated voltage, min.	10 V	Rated voltage, max.	30 V
Test voltage	1 kV	Max. current-carrying capacity per slot	4 A
Total current	9 A	Current per signal	2 A
Electrical isolation available	No	Insulation strength	10 ⁹ Ω

General technical data

Plug-in station coding	A	Protection degree	IP67
Number of poles	4	Number of contact sockets	4
Connection thread	M12	Pollution severity	3
Fire behaviour	V-0	LED	Yes
LED initiator	Yes	LED colour for indicating operation	green
LED colour for I/O function	yellow		

Material data

Housing main material	PA 6 GF	Material of distributor	Plastic
Housing colour	grey, RAL 7032	Screw socket	Nickel-plated CuZn
Contact material	CuZn	Contact surface	Gold-plated
Contact carrier material	PBT (UL 94 V0)		

Technical data cable

Number of poles	4
-----------------	---

Classifications

ETIM 6.0	EC002585	ETIM 7.0	EC003558
ETIM 8.0	EC003558	ECLASS 9.0	27-44-01-08
ECLASS 9.1	27-44-01-08	ECLASS 10.0	27-44-01-11
ECLASS 11.0	27-44-01-11	ECLASS 12.0	27-44-01-11

Environmental Product Compliance

REACH SVHC	Lead 7439-92-1
------------	----------------

Data sheet**SAI-4-SH 5P FC****Weidmüller Interfaces GmbH & Co. KG**

Postfach 3030

32760 Detmold

Tel. +49 5231 14-0

Fax. +49 5231 14-2083

info@weidmueller.comwww.weidmueller.com**Technical data****Approvals**

Approvals



ROHS Conform

UL File Number Search UL Website

Certificate No. (cURus) E92202

DownloadsEngineering Data [WSCAD](#)Catalogues [Catalogues in PDF-format](#)Brochures [FL FIELDWIRING EN](#)
[FL FIELDWIRING EN](#)

SAI-4-SH 5P FC

Weidmüller Interfaces GmbH & Co. KG

Postfach 3030

32760 Detmold

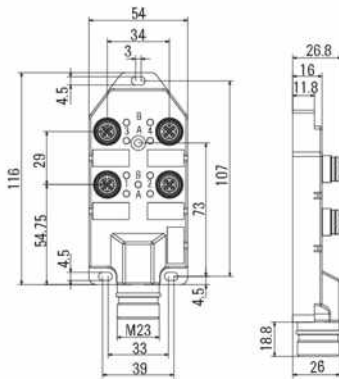
Tel. +49 5231 14-0

Fax. +49 5231 14-2083

Drawings

info@weidmueller.com

Dimensioned drawing



Wiring diagram

