

## SAI-04L-VPFC-3A-M08L-PNP-10U01

Weidmüller Interfaces GmbH & Co. KG

Postfach 3030

32760 Detmold

Tel. +49 5231 14-0

Fax. +49 5231 14-2083

info@weidmueller.com

www.weidmueller.com



The new slim M8 line from Weidmüller. This range of products is characterised by the marking options at all connection positions. Even the 4-way distributor with 8-pole M12 has adequately large markers at all M8 connection positions. Furthermore, this distributor is shorter than many conventional M8 designs.

- Very narrow, short and flat M8 distributor.
- The range is supplied with 4 to 12 M8 connection positions, 3 or 4 poles.
- Hybrid variants of the M8 are also possible on request.
- The M8 line is equipped with transverse holes.

### General ordering data

Version	SAI Passive, Sensor-actuator passive distributor, M8, Fixed cable version, 10 m, Yes
Order No.	<a href="#">1828710000</a>
Type	SAI-04L-VPFC-3A-M08L-PNP-10U01
GTIN (EAN)	4032248335350
Qty.	1 pc(s).

## SAI-04L-VPFC-3A-M08L-PNP-10U01

Weidmüller Interfaces GmbH &amp; Co. KG

Postfach 3030

32760 Detmold

Tel. +49 5231 14-0

Fax. +49 5231 14-2083

info@weidmueller.com

www.weidmueller.com

## Technical data

## Dimensions and weights

Depth	18.2 mm	Depth (inches)	0.717 inch
Height	92 mm	Height (inches)	3.622 inch
Width	24 mm	Width (inches)	0.945 inch
Net weight	622 g		

## Temperatures

Operating temperature	-25 - 80°C	Operating temperature, min.	-25 °C
Operating temperature, max.	80 °C		

## Connection data

Sheathing stripping length	100 mm	Distributor outlet	Fixed cable version
----------------------------	--------	--------------------	---------------------

## Electrical data

Rated voltage, min.	10 V	Rated voltage, max.	30 V
Test voltage	1 kV	Max. current-carrying capacity per slot	2 A
Total current	6 A	Current per signal	1 A
Insulation strength	10 <sup>9</sup> Ω		

## General technical data

Protection degree	IP68	Number of poles	3
Number of contact sockets	4	Connection thread	M8
Pollution severity	3	Fire behaviour	V-0
LED	Yes	LED initiator	Yes
LED colour for indicating operation	green	LED colour for I/O function	yellow

## Material data

Material O-Ring	FKM	Housing main material	PBT
Material of distributor	Plastic	Housing colour	black (similar to RAL 9005)
Screw socket	Nickel-plated CuZn	Contact material	CuZn
Contact surface	Gold-plated	Contact carrier material	PBT (UL 94 V0)

## Technical data cable

Bending cycles	1 mill.	Bending radius, min., moving	10 x cable diameter
Halogen	No	Number of poles	3
O.D.	6.6 mm	Sheath material	PUR
Sheathing colour	black	Shielded	No
Wire cross section (Print/Online)	4 x 0.34 mm <sup>2</sup> + 2 x 0.75 mm <sup>2</sup>	Cable length	10 m
Suitable for cable carriers	Yes		

## Classifications

ETIM 6.0	EC002585	ETIM 7.0	EC002585
ETIM 8.0	EC002585	ECLASS 9.0	27-44-01-08
ECLASS 9.1	27-44-01-08	ECLASS 10.0	27-44-01-08
ECLASS 11.0	27-44-01-08	ECLASS 12.0	27-44-01-08

Creation date March 7, 2023 4:07:56 PM CET

Catalogue status 03.03.2023 / We reserve the right to make technical changes.

2

**SAI-04L-VPFC-3A-M08L-PNP-10U01**

Weidmüller Interfaces GmbH &amp; Co. KG

Postfach 3030

32760 Detmold

Tel. +49 5231 14-0

Fax. +49 5231 14-2083

[info@weidmueller.com](mailto:info@weidmueller.com)[www.weidmueller.com](http://www.weidmueller.com)**Technical data****Environmental Product Compliance**

REACH SVHC	Lead 7439-92-1	<a href="http://www.weidmueller.com">www.weidmueller.com</a>
SCIP	4060c755-8d0b-4d43-bdb3-4ffabe9d7497	

**Approvals**

Approvals



ROHS	Conform
UL File Number Search	UL Website
Certificate No. (cURus)	E92202

**Downloads**

Engineering Data	<a href="#">CAD data – STEP</a>
Engineering Data	<a href="#">WSCAD</a>
Product Change Notification	<a href="#">20211208 Technical change to SAI M8 Line Distribution Boxes</a> <a href="#">20211208 Technische Änderung zu SAI M8 Line Verteiler</a>
Catalogues	<a href="#">Catalogues in PDF-format</a>
Brochures	<a href="#">FL FIELDWIRING EN</a> <a href="#">FL FIELDWIRING EN</a>

**SAI-04L-VPFC-3A-M08L-PNP-10U01**

**Weidmüller Interfaces GmbH & Co. KG**

Postfach 3030

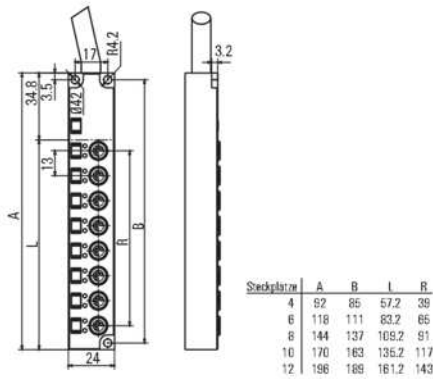
32760 Detmold

Tel. +49 5231 14-0

Fax. +49 5231 14-2083

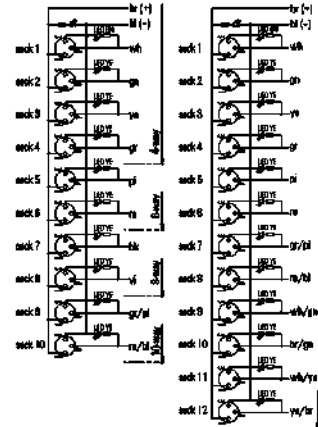
**Drawings**

**Dimensioned drawing**



**Wiring diagram**

info@weidmueller.com



**Pole scheme**

