

## LU 10.16/03/90 4.5SN GY BX PRT

**Weidmüller Interface GmbH & Co. KG**

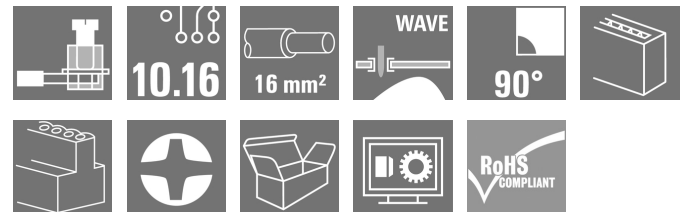
Klingenbergstraße 26

D-32758 Detmold

Germany

www.weidmueller.com

### Product image



Similar to illustration

This PCB terminal provides connections for 76 A and 16 mm<sup>2</sup> conductor cross-section with proven clamping yoke connection at 10.16 mm pitch, conductor outlet direction in 90° design.

### General ordering data

|              |   |
|--------------|---|
| Version      | Printed circuit board terminals, 10.16 mm, Number of poles: 3, 90°, Solder pin length (l): 4.5 mm, tinned, Pebble grey, Clamping yoke connection, Clamping range, max. : 16 mm <sup>2</sup> , Box |
| Order No.    | <a href="#">1812250000</a>  |
| Type         | LU 10.16/03/90 4.5SN GY BX PRT  |
| GTIN (EAN)   | 4032248291502   |
| Qty.         | 20 pc(s).   |
| Product data | IEC: 1000 V / 76 A / 0.5 - 16 mm <sup>2</sup><br>UL: 300 V / 65 A / AWG 26 - AWG 6  |
| Packaging    | Box   |

Creation date December 4, 2023 4:09:29 PM CET

## LU 10.16/03/90 4.5SN GY BX PRT

Weidmüller Interface GmbH &amp; Co. KG

Klingenbergstraße 26

D-32758 Detmold

Germany

www.weidmueller.com

## Technical data

## Dimensions and weights

|                          |          |                 |            |
|--------------------------|----------|-----------------|------------|
| Depth                    | 18.3 mm  | Depth (inches)  | 0.72 inch  |
| Height                   | 33 mm    | Height (inches) | 1.299 inch |
| Height of lowest version | 28.5 mm  | Width           | 30.48 mm   |
| Width (inches)           | 1.2 inch | Net weight      | 28.6 g     |

## System parameters

|  |                            |  |                              |
|--|----------------------------|--|------------------------------|
| Product family                               | OMNIMATE Power - series LU | Wire connection method                     | Clamping yoke connection     |
| Mounting onto the PCB                        | THT solder connection      | Conductor outlet direction                 | 90°                          |
| Pitch in mm (P)                              | 10.16 mm                   | Pitch in inches (P)                        | 0.4 inch                     |
| Number of poles                              | 3                          | Pin series quantity                        | 1                            |
| Fitted by customer                           | Yes                        | Number of rows                             | 1                            |
| Max. adjacent poles per row                  | 10                         | Solder pin length (l)                      | 4.5 mm                       |
| Solder pin dimensions                        | 1.2 x 1.2 mm               | Solder pin dimensions = d tolerance        | 0 / -0,15 mm                 |
| Solder eyelet hole diameter (D)              | 1.6 mm                     | Solder eyelet hole diameter tolerance (D)+ | 0,1 mm                       |
| Number of solder pins per pole               | 2                          | Screwdriver blade                          | 1.0 x 5.5                    |
| Screwdriver blade standard                   | DIN 5264                   | Tightening torque, min.                    | 1.2 Nm                       |
| Tightening torque, max.                      | 2.2 Nm                     | Clamping screw                             | M 4                          |
| Stripping length                             | 12 mm                      | L1 in mm                                   | 20.32 mm                     |
| L1 in inches                                 | 0.8 inch                   | Touch-safe protection acc. to DIN VDE 0470 | IP20 plugged/ IP10 unplugged |
| Touch-safe protection acc. to DIN VDE 57 106 | Safe from finger touch     | Protection degree                          | IP20                         |
| Volume resistance                            | 0.50 mΩ                    |  |                              |

## Material data

|                                       |                                  |                                       |             |
|---------------------------------------|----------------------------------|---------------------------------------|-------------|
| Insulating material                   | Wemid (PA)                       | Colour                                | Pebble grey |
| Colour chart (similar)                | RAL 7032                         | Insulating material group             | I           |
| Comparative Tracking Index (CTI)      | ≥ 600                            | UL 94 flammability rating             | V-0         |
| Contact material                      | E-Cu                             | Contact surface                       | tinned      |
| Layer structure of solder connection  | 1.5...3 μm Ni / 4...6 μm Sn matt | Storage temperature, min.             | -40 °C      |
| Storage temperature, max.             | 70 °C                            | Operating temperature, min.           | -50 °C      |
| Operating temperature, max.           | 120 °C                           | Temperature range, installation, min. | -25 °C      |
| Temperature range, installation, max. | 120 °C                           |                                       |             |

## Conductors suitable for connection

|   |                      |
|---|----------------------|
| Clamping range, min.  | 0.14 mm <sup>2</sup> |
| Clamping range, max.  | 16 mm <sup>2</sup>   |
| Wire connection cross section AWG, min.                             | AWG 22               |
| Wire connection cross section AWG, max.                             | AWG 8                |
| Solid, min. H05(07) V-U   | 0.5 mm <sup>2</sup>  |
| Solid, max. H05(07) V-U   | 16 mm <sup>2</sup>   |
| Stranded, min. H07V-R   | 6 mm <sup>2</sup>    |
| Stranded, max. H07V-R   | 16 mm <sup>2</sup>   |
| Flexible, min. H05(07) V-K  | 0.5 mm <sup>2</sup>  |
| Flexible, max. H05(07) V-K  | 16 mm <sup>2</sup>   |
| w. plastic collar ferrule, DIN 46228 pt 4, 2.5 mm <sup>2</sup> min. |                      |
| w. plastic collar ferrule, DIN 46228 pt 4, 10 mm <sup>2</sup> max.  |                      |

Creation date December 4, 2023 4:09:29 PM CET

Catalogue status 24.11.2023 / We reserve the right to make technical changes.

2

## LU 10.16/03/90 4.5SN GY BX PRT

**Weidmüller Interface GmbH & Co. KG**  
 Klingenbergstraße 26  
 D-32758 Detmold  
 Germany

www.weidmueller.com

## Technical data

|   |  |                              |                             |       |
|---|--|------------------------------|-----------------------------|-------|
| w. wire end ferrule, DIN 46228 pt 1, min.       | 2.5 mm <sup>2</sup>                    |                              |                             |       |
| w. wire end ferrule, DIN 46228 pt 1, max.       | 10 mm <sup>2</sup>                     |                              |                             |       |
| Plug gauge in accordance with EN 60999 a x b; ø | 5.4 mm x 5.1 mm; 5.3 mm                |                              |                             |       |
| Clampable conductor                             | Cross-section for conductor connection | Type                         | fine-wired                  |       |
|   |  | nominal                      | 2.5 mm <sup>2</sup>         |       |
|   | wire end ferrule                       | Stripping length             | nominal                     | 12 mm |
|   |  | Recommended wire-end ferrule | <a href="#">H2.5/12</a>     |       |
|   |  | Stripping length             | nominal                     | 14 mm |
|   |  | Recommended wire-end ferrule | <a href="#">H2.5/19D BL</a> |       |
|   | Cross-section for conductor connection | Type                         | fine-wired                  |       |
|   |  | nominal                      | 4 mm <sup>2</sup>           |       |
|   | wire end ferrule                       | Stripping length             | nominal                     | 12 mm |
|   |  | Recommended wire-end ferrule | <a href="#">H4.0/12</a>     |       |
|   |  | Stripping length             | nominal                     | 14 mm |
|   |  | Recommended wire-end ferrule | <a href="#">H4.0/20D GR</a> |       |
|   | Cross-section for conductor connection | Type                         | fine-wired                  |       |
|   |  | nominal                      | 6 mm <sup>2</sup>           |       |
|   | wire end ferrule                       | Stripping length             | nominal                     | 12 mm |
|   |  | Recommended wire-end ferrule | <a href="#">H6.0/12</a>     |       |
|   |  | Stripping length             | nominal                     | 14 mm |
|   |  | Recommended wire-end ferrule | <a href="#">H6.0/20 SW</a>  |       |
|   | Cross-section for conductor connection | Type                         | fine-wired                  |       |
|   |  | nominal                      | 10 mm <sup>2</sup>          |       |
| wire end ferrule                                | Stripping length                       | nominal                      | 15 mm                       |       |
|   | Recommended wire-end ferrule           | <a href="#">H10.0/22 EB</a>  |                             |       |
|   | Stripping length                       | nominal                      | 12 mm                       |       |
|   | Recommended wire-end ferrule           | <a href="#">H10.0/12</a>     |                             |       |

Reference text Length of ferrules is to be chosen depending on the product and the rated voltage.. The outside diameter of the plastic collar should not be larger than the pitch (P)

### Rated data acc. to IEC

|   |                        |   |                   |
|---|------------------------|---|-------------------|
| tested acc. to standard   | IEC 60664-1, IEC 61984 | Rated current, min. number of poles (Tu=20°C)                         | 76 A              |
| Rated current, max. number of poles (Tu=20°C)                             | 72 A                   | Rated current, min. number of poles (Tu=40°C)                         | 76 A              |
| Rated current, max. number of poles (Tu=40°C)                             | 62 A                   | Rated voltage for surge voltage class / pollution degree II/2         | 1,000 V           |
| Rated voltage for surge voltage class / pollution degree III/2            | 690 V                  | Rated voltage for surge voltage class / pollution degree III/3        | 690 V             |
| Rated impulse voltage for surge voltage class/ pollution degree II/2      | 4 kV                   | Rated impulse voltage for surge voltage class/ pollution degree III/2 | 6 kV              |
| Rated impulse voltage for surge voltage class/ contamination degree III/3 | 6 kV                   | Short-time withstand current resistance                               | 2 x 1s with 700 A |


## LU 10.16/03/90 4.5SN GY BX PRT

**Weidmüller Interface GmbH & Co. KG**  
 Klingenbergstraße 26  
 D-32758 Detmold  
 Germany


www.weidmueller.com

## Technical data

### Rated data acc. to CSA

|   |  |                                   |       |
|---|--|-----------------------------------|-------|
| Institute (CSA)   |  | Certificate No. (CSA)             |       |
|  |  | 200039-1198743                    |       |
| Rated voltage (Use group B / CSA)   | 300 V  | Rated voltage (Use group C / CSA) | 150 V |
| Rated voltage (Use group D / CSA)   | 300 V  | Rated current (Use group B / CSA) | 65 A  |
| Rated current (Use group C / CSA)   | 65 A   | Rated current (Use group D / CSA) | 10 A  |
| Wire cross-section, AWG, min.   | AWG 22   | Wire cross-section, AWG, max.     | AWG 6 |
| Reference to approval values  | Specifications are maximum values, details - see approval certificate. |                                   |       |

### Rated data acc. to UL 1059

|   |  |                                       |       |
|---|--|---------------------------------------|-------|
| Institute (UR)  |  | Certificate No. (UR)                  |       |
|  |  | E60693                                |       |
| Rated voltage (Use group B / UL 1059)   | 300 V  | Rated voltage (Use group C / UL 1059) | 150 V |
| Rated voltage (Use group D / UL 1059)   | 600 V  | Rated current (Use group B / UL 1059) | 65 A  |
| Rated current (Use group C / UL 1059)   | 65 A   | Rated current (Use group D / UL 1059) | 5 A   |
| Wire cross-section, AWG, min.   | AWG 26   | Wire cross-section, AWG, max.         | AWG 6 |
| Reference to approval values  | Specifications are maximum values, details - see approval certificate. |                                       |       |

### Packing

|           |        |            |        |
|-----------|--------|------------|--------|
| Packaging | Box    | VPE length | 141 mm |
| VPE width | 105 mm | VPE height | 40 mm  |

### Type tests

|                              |            |  |
|------------------------------|------------|--|
| Test: Durability of markings | Test       | mark of origin, type identification, type of material, rated cross-section, approval marking CSA, approval marking UL, pitch, durability |
|                              | Evaluation | available  |

**LU 10.16/03/90 4.5SN GY BX PRT**

**Weidmüller Interface GmbH & Co. KG**  
 Klingenbergstraße 26  
 D-32758 Detmold  
 Germany

www.weidmueller.com

**Technical data**

|   |                |   |           |
|---|----------------|---|-----------|
| Test: Clampable cross section                             | Conductor type | Type of conductor and conductor cross-section | H05V-K0.5 |
|   |                | Type of conductor and conductor cross-section | H05V-U0.5 |
|   |                | Type of conductor and conductor cross-section | H07V-K10  |
|   |                | Type of conductor and conductor cross-section | H07V-U10  |
|   |                | Type of conductor and conductor cross-section | H07V-U16  |
|   |                | Type of conductor and conductor cross-section | AWG 8/19  |
|   |                | Type of conductor and conductor cross-section | AWG 22/1  |
|   |                | Type of conductor and conductor cross-section | AWG 22/19 |
|   |                | Evaluation                                    | passed    |
| Test for damage to and accidental loosening of conductors | Standard       | EN 60947-1/1991 section 8.2.4.3               |           |
|   | Requirement    | 0.3 kg  |           |
|   | Conductor type | Type of conductor and conductor cross-section | H05V-K0.5 |
|   |                | Type of conductor and conductor cross-section | H05V-U0.5 |
|   |                | Type of conductor and conductor cross-section | AWG 22/1  |
|   |                | Type of conductor and conductor cross-section | AWG 22/19 |
|   | Evaluation     | passed  |           |
|   | Requirement    | 2.0 kg  |           |
|   | Conductor type | Type of conductor and conductor cross-section | H07V-K10  |
|   |                | Type of conductor and conductor cross-section | H07V-U10  |
|   |                | Type of conductor and conductor cross-section | AWG 8/19  |
|   | Evaluation     | passed  |           |
|   | Requirement    | 2.9 kg  |           |
|   | Conductor type | Type of conductor and conductor cross-section | H07V-U16  |
|   | Evaluation     | passed  |           |

**LU 10.16/03/90 4.5SN GY BX PRT**

**Weidmüller Interface GmbH & Co. KG**  
 Klingenbergstraße 26  
 D-32758 Detmold  
 Germany

www.weidmueller.com

**Technical data**

|               |                |   |           |  |
|---------------|----------------|---|-----------|--|
| Pull-out test | Standard       | EN 60947-1/1991 section 8.2.4.4               |           |  |
|               | Requirement    | ≥20 N   |           |  |
|               | Conductor type | Type of conductor and conductor cross-section | AWG 22/1  |  |
|               |                | Type of conductor and conductor cross-section | AWG 22/19 |  |
|               | Evaluation     | passed  |           |  |
|               | Requirement    | ≥30 N   |           |  |
|               | Conductor type | Type of conductor and conductor cross-section | H05V-K0.5 |  |
|               |                | Type of conductor and conductor cross-section | H05V-U0.5 |  |
|               | Evaluation     | passed  |           |  |
|               | Requirement    | ≥ 90N   |           |  |
|               | Conductor type | Type of conductor and conductor cross-section | H07V-K10  |  |
|               |                | Type of conductor and conductor cross-section | H07V-U10  |  |
|               |                | Type of conductor and conductor cross-section | AWG 8/19  |  |
|               | Evaluation     | passed  |           |  |
|               | Requirement    | ≥100 N  |           |  |
|               | Conductor type | Type of conductor and conductor cross-section | H07V-U16  |  |
| Evaluation    | passed         |   |           |  |

**Classifications**

|             |             |             |             |
|-------------|-------------|-------------|-------------|
| ETIM 6.0    | EC002643    | ETIM 7.0    | EC002643    |
| ETIM 8.0    | EC002643    | ETIM 9.0    | EC002643    |
| ECLASS 9.0  | 27-44-04-01 | ECLASS 9.1  | 27-44-04-01 |
| ECLASS 10.0 | 27-44-04-01 | ECLASS 11.0 | 27-46-01-01 |
| ECLASS 12.0 | 27-46-01-01 | ECLASS 13.0 | 27460101    |

**Important note**

|                |  |
|----------------|--|
| IPC conformity | Conformity: The products are developed, manufactured and delivered according international recognized standards and norms and comply with the assured properties in the data sheet resp. fulfill decorative properties in accordance with IPC-A-610 "Class 2". Further claims on the products can be evaluated on request. |
| Notes          | <ul style="list-style-type: none"> <li>• Long term storage of the product with average temperature of 50 °C and maximum humidity 70%, 36 months</li> </ul>   |

**Approvals**

Approvals



|                       |            |
|-----------------------|------------|
| ROHS                  | Conform    |
| UL File Number Search | UL Website |
| Certificate No. (UR)  | E60693     |

Creation date December 4, 2023 4:09:29 PM CET

**LU 10.16/03/90 4.5SN GY BX PRT****Weidmüller Interface GmbH & Co. KG**  
Klingenbergstraße 26  
D-32758 Detmold  
Germany

www.weidmueller.com

**Technical data****Downloads**

|   |  |
|---|--|
| Approval/Certificate/Document of Conformity | <a href="#">Declaration of the Manufacturer</a>  |
| Product Change Notification                 | <a href="#">20220201 Visual change OMNIMATE® Power PCB terminal blocks and connectors</a><br><a href="#">20220201 Visuelle Änderung OMNIMATE® Power Leiterplattenklemmen und -steckverbinder</a>   |
| User Documentation                          | <a href="#">QR-Code product handling video</a>   |
| Catalogues                                  | <a href="#">Catalogues in PDF-format</a>   |
| Brochures                                   | <a href="#">FL DRIVES EN</a><br><a href="#">MB DEVICE MANUF. EN</a><br><a href="#">FL DRIVES DE</a><br><a href="#">FL APPL_INVERTER EN</a><br><a href="#">FL_BASE_STATION_EN</a><br><a href="#">FL ELEVATOR EN</a><br><a href="#">FL POWER SUPPLY EN</a><br><a href="#">FL 72H SAMPLE SER EN</a><br><a href="#">PO OMNIMATE EN</a> |

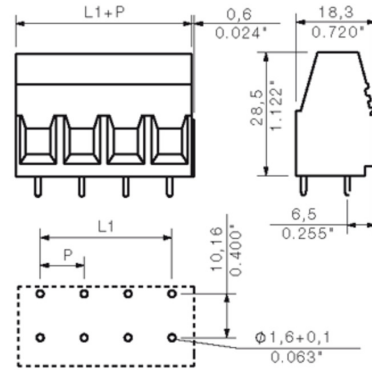
**LU 10.16/03/90 4.5SN GY BX PRT**

**Weidmüller Interface GmbH & Co. KG**  
 Klingenbergstraße 26  
 D-32758 Detmold  
 Germany

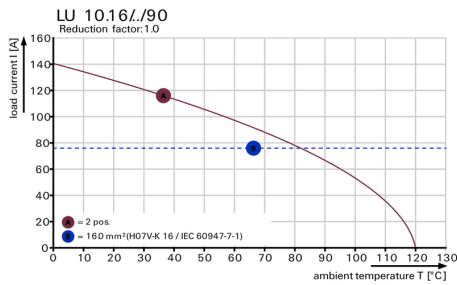
www.weidmueller.com

**Drawings**

**Dimensional drawing**



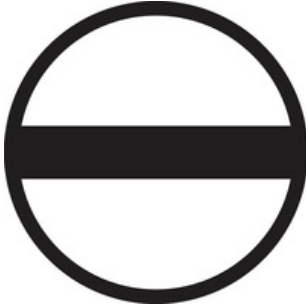
**Graph**



**LU 10.16/03/90 4.5SN GY BX PRT**

**Weidmüller Interface GmbH & Co. KG**  
Klingenbergstraße 26  
D-32758 Detmold  
Germany

[www.weidmueller.com](http://www.weidmueller.com)

**Accessories****Slotted screwdriver**

Slotted screwdriver with rounded blade SD DIN 5265, ISO 2380/2, output to DIN 5264, ISO 2380/1. ChromTop tip, SoftFinish grip

**General ordering data**

|            |                            |                          |
|------------|----------------------------|--------------------------|
| Type       | SDS 1.0X5.5X150            | Version                  |
| Order No.  | <a href="#">9008350000</a> | Screwdriver, Screwdriver |
| GTIN (EAN) | 4032248056316              |                          |
| Qty.       | 1 pc(s).                   |                          |

**Crosshead screwdriver Pozidriv**

Crosshead screwdriver, Pozidriv, SDK PZ DIN 5262, ISO 8764/2-PZ, output to ISO 8764/1-PZ, ChromTop tip, SoftFinish grip

**General ordering data**

|            |                            |                          |
|------------|----------------------------|--------------------------|
| Type       | SDK PZ2                    | Version                  |
| Order No.  | <a href="#">9008540000</a> | Screwdriver, Screwdriver |
| GTIN (EAN) | 4032248056538              |                          |
| Qty.       | 1 pc(s).                   |                          |

## LU 10.16/03/90 4.5SN GY BX PRT

**Weidmüller Interface GmbH & Co. KG**  
 Klingenbergstraße 26  
 D-32758 Detmold  
 Germany

[www.weidmueller.com](http://www.weidmueller.com)

## Accessories

## Crosshead screwdriver Pozidriv

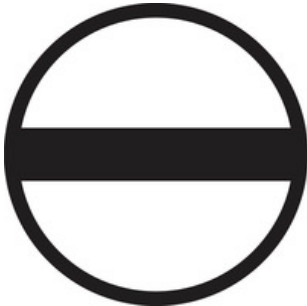


VDE insulated crosshead screwdriver type Pozidriv SDIK PZ DIN 7438, ISO 8764/2-PZ, output to ISO 8764-PZ, SoftFinish grip

## General ordering data

|            |                            |                          |
|------------|----------------------------|--------------------------|
| Type       | SDIK PZ2                   | Version                  |
| Order No.  | <a href="#">9008890000</a> | Screwdriver, Screwdriver |
| GTIN (EAN) | 4032248266661              |                          |
| Qty.       | 1 pc(s).                   |                          |

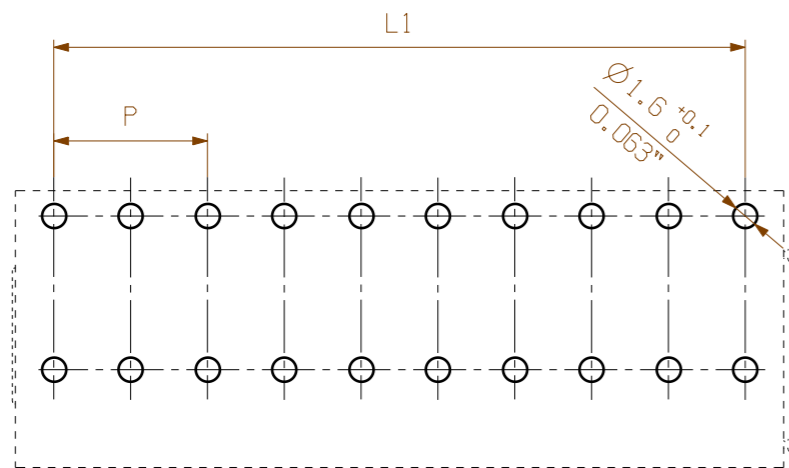
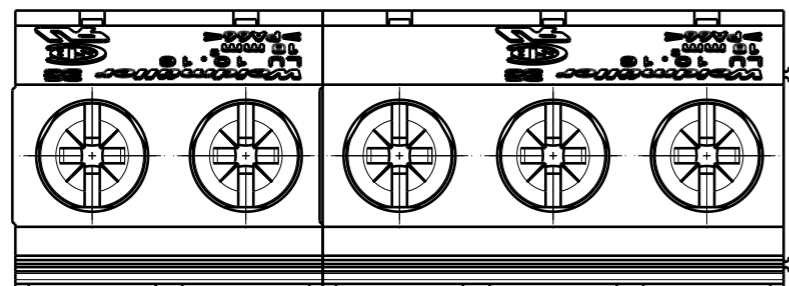
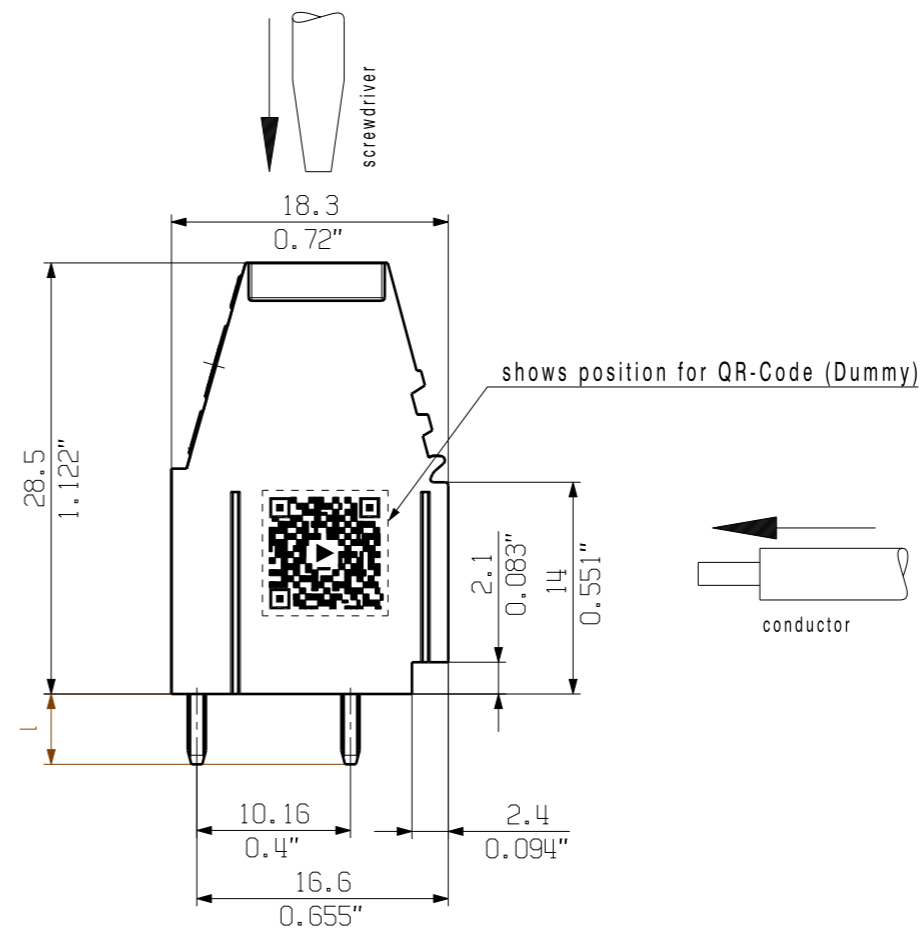
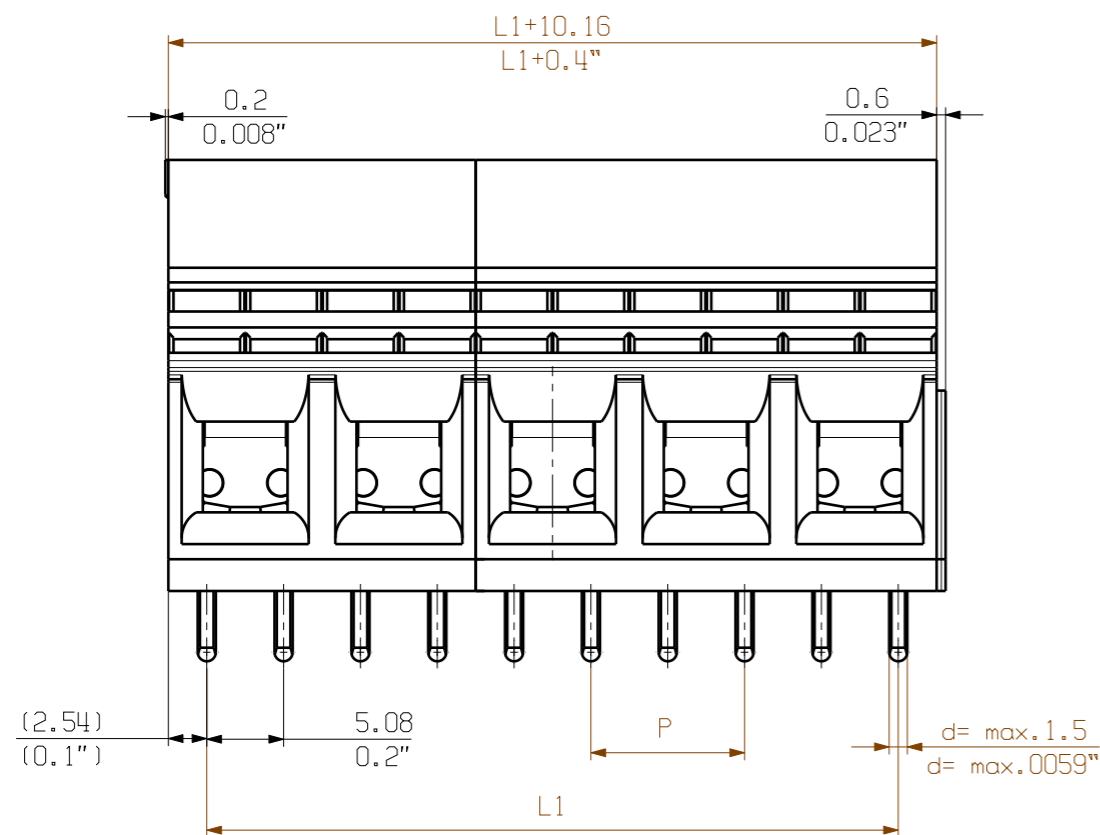
## Slotted screwdriver



VDE insulated slot-head screwdriver, SDI DIN 7437, ISO 2380/2, drive output acc. to DIN 5264, ISO 2380/1. SoftFinish grip

## General ordering data

|            |                            |                          |
|------------|----------------------------|--------------------------|
| Type       | SDIS 1.0X5.5X125           | Version                  |
| Order No.  | <a href="#">9008410000</a> | Screwdriver, Screwdriver |
| GTIN (EAN) | 4032248056378              |                          |
| Qty.       | 1 pc(s).                   |                          |

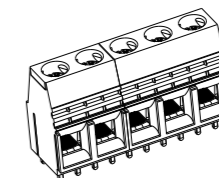


For the mounting of PCBs, it should be noted that the rated data relates only to the PCB components alone.  
The necessary creepage and clearance paths must be observed in connection with the respective applicant in accordance to IEC 664 / VDE 0110.  
The current-carrying capacity and pitch tolerance is to be determined according to DIN IEC 326 part 3 very fine.

Weidmüller PCB components are tested to the DIN EN 61984 standard, and are valid for its field of application. Provided that the components are used to the intended purpose, all requirements with respect to the occurring of electrical, mechanical, thermic and corrosive stress will be satisfied.

shown : LU 10.16/05/90

l = solder pin length (4.5/3.2)  
P = pitch (10.16)  
n = no of poles



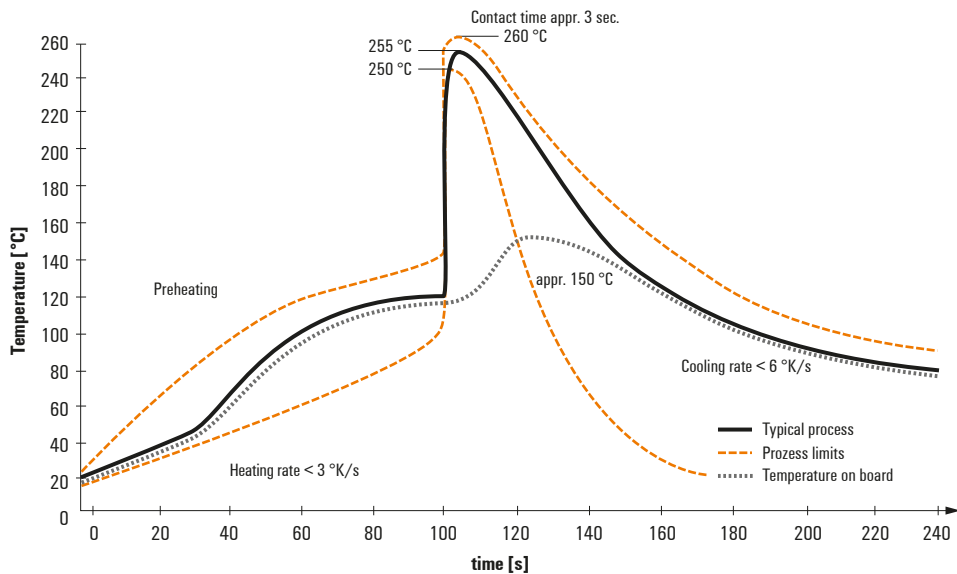
|          |               |                  |
|----------|---------------|------------------|
| 12       | 116,84        | 4,600            |
| 11       | 106,68        | 4,200            |
| 10       | 96,52         | 3,800            |
| 9        | 86,36         | 3,400            |
| 8        | 76,20         | 3,000            |
| 7        | 66,04         | 2,600            |
| 6        | 55,88         | 2,200            |
| 5        | 45,72         | 1,800            |
| 4        | 35,56         | 1,400            |
| 3        | 25,40         | 1,000            |
| 2        | 15,24         | 0,600            |
| <b>n</b> | <b>L1[mm]</b> | <b>L1 [Inch]</b> |

|  |  |                           |  |   |  |
|--|--|---------------------------|--|---|--|
| <b>GENERAL TOLERANCE:</b><br>DIN ISO 2768-mK |  | Prim PLM Part No.: 017733 |  | Prim ERP Part No.: 1635920000   |  |
| 102098                                       |  | 04                        |  |   |  |
| First Issue Date<br>16.02.2018               |  | Modification              |  |   |  |
|  |  | Date                      |  | Name  |  |
| Scale: 2:1                                   |  | Drawn                     |  | 16.02.2018 Administrator  |  |
| Size: A3                                     |  | Responsible               |  | Amann, Alexand  |  |
| Drawings Assembly                            |  | Approved                  |  | 12.11.2018 Lang, Thomas   |  |
|  |  |                           |  | Drawing no. <b>21310</b> Issue no. <b>10</b><br>Sheet 01 of 01 sheets |  |
|  |  |                           |  | LU 10.16/././90<br>LEITERPLATTENKLEMME<br>PCB TERMINAL                |  |
|  |  |                           |  | Product file: 7232 LU 10.16   |  |

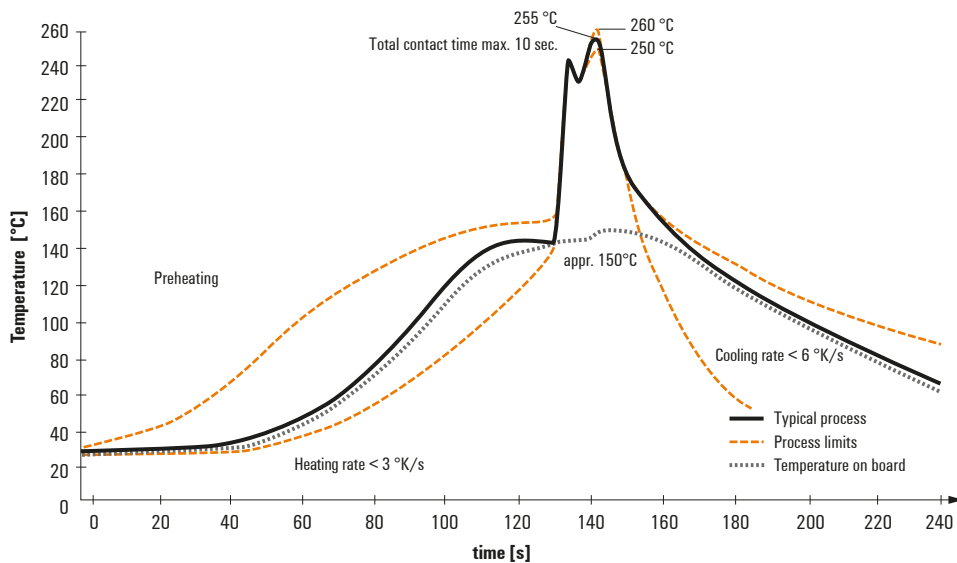
## Recommended wave soldering profiles

**Weidmüller Interface GmbH & Co. KG**  
 Klingenbergstraße 16  
 D-32758 Detmold  
 Germany  
 Fon: +49 5231 14-0  
 Fax: +49 5231 14-292083  
 www.weidmueller.com

### Single Wave:



### Double Wave:



### Wave soldering profiles

Wired connection elements should be processed in accordance with the DIN EN 61760-1 standard. We have included two recommendations for practical wave soldering profiles, with which Weidmüller PCB terminals and connectors are qualified.

When choosing a suitable profile for your application, the following factors also need to be considered:

- PCB thickness
- Proportion of Cu in the layers
- Single/double-sided assembly
- Product range
- Heating and cooling rates

The single and double wave profiles each indicate the recommended operating range, including the maximum soldering temperature of 260°C. In practice, the maximum soldering temperature is quite often well below the above maximum profile.