

SAI-4-M 8P M12**Weidmüller Interface GmbH & Co. KG**

Klingenbergstraße 26

D-32758 Detmold

Germany

Fon: +49 5231 14-0

Fax: +49 5231 14-292083

www.weidmueller.com



M12 distributors are available in various versions. The 4, 6 or 8 M12 slots are in 4 or 5 pole design. The group outlet is designed as a fixed cable version, hood version for connection by the user, or with M23. Special versions are also available. For instance, there are 1-to-1 distributors for use with any connection types, or distributors approved for Ex Zone 1.

General ordering data

Type	SAI-4-M 8P M12
Order No.	1807640000
Version	Sensor-actuator passive distributor, M12, Hood version, Yes
GTIN (EAN)	4032248279036
Qty.	1 pc(s).

Creation date August 16, 2020 10:16:27 PM CEST

Catalogue status 24.07.2020 / We reserve the right to make technical changes.

SAI-4-M 8P M12

Weidmüller Interface GmbH & Co. KG

Klingenbergstraße 26

D-32758 Detmold

Germany

Fon: +49 5231 14-0

Fax: +49 5231 14-292083

www.weidmueller.com

Technical data

Dimensions and weights

Net weight	210 g
------------	-------

Temperatures

Operating temperature range, max.	90 °C	Operating temperature range, min.	-20 °C
Operating temperature, max.	90 °C	Operating temperature, min.	-20 °C
Operating temperature	-20 - 90°C		

Environmental Product Compliance

REACH SVHC	Lead 7439-92-1
------------	----------------

Connection data

Sheathing stripping length	100 mm	Clamping range, min.	0.08 mm ²
Clamping range, max.	1.5 mm ²	Storage space	Standard
Distributor outlet	Hood version	Connection type PE	Screw connection

Electrical data

Rated voltage, min.	10 V	Rated voltage, max.	30 V
Test voltage	1 kV	Max. current-carrying capacity per slot	4 A
Total current	10 A	Current per signal	2 A
Insulation strength	10 ⁹ Ω		

General technical data

Plug-in station coding	A	Protection degree	IP68
Number of poles	8	Number of contact sockets	4
Connection thread	M12	Pollution severity	3
Fire behaviour	V-0	Plugging cycles	≤ 50
LED	Yes	LED initiator	Yes
LED colour for indicating operation	green	LED colour for I/O function	yellow

Material data

Housing main material	Pocan	Material of distributor	Plastic
Housing colour	grey, RAL 7032	Hood sealing material	Viton
Screw socket	Nickel-plated CuZn	Contact material	CuZn
Contact surface	Gold-plated	Contact carrier material	PBT (UL 94 V0)

Technical data cable

Suitable for cable carriers	No	Number of poles	8
-----------------------------	----	-----------------	---

Classifications

ETIM 6.0	EC002585	ETIM 7.0	EC003558
eClass 9.0	27-44-01-08	eClass 9.1	27-44-01-08
eClass 10.0	27-44-01-11	UNSPSC	30-21-18-01

SAI-4-M 8P M12

Weidmüller Interface GmbH & Co. KG
Klingenbergstraße 26
D-32758 Detmold
Germany
Fon: +49 5231 14-0
Fax: +49 5231 14-292083
www.weidmueller.com

Technical data**Approvals**

Approvals



ROHS

Conform

Downloads

Brochure/Catalogue [CAT 8 SAI 15/16 EN](#)
[FL FIELDWIRING EN](#)

Engineering Data [WSCAD](#)

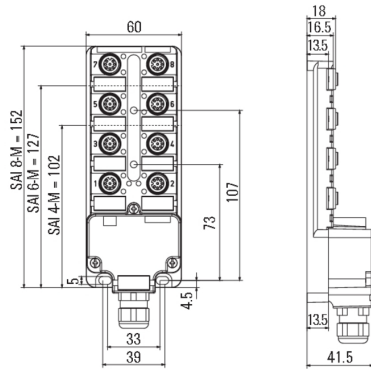
Engineering Data [STEP](#)

SAI-4-M 8P M12

Weidmüller Interface GmbH & Co. KG
 Klingenbergstraße 26
 D-32758 Detmold
 Germany
 Fon: +49 5231 14-0
 Fax: +49 5231 14-292083
 www.weidmueller.com

Drawings

Dimensioned drawing



Wiring diagram

