

SAI Y-4S M8-M8**Weidmüller Interface GmbH & Co. KG**

Klingenbergstraße 26

D-32758 Detmold

Germany

Fon: +49 5231 14-0

Fax: +49 5231 14-292083

www.weidmueller.com



Individual cable lengths are often required nowadays. In order to meet these demands, Weidmüller offers a wide range of plug-in connectors for custom assembly. Y-distributors are used to bundle and distribute multiple signals to save space.

General ordering data

Type	SAI Y-4S M8-M8
Order No.	1805660000
Version	Y-plug, M8 / M8
GTIN (EAN)	4032248272723
Qty.	1 pc(s).

Creation date August 17, 2020 12:45:42 PM CEST

Catalogue status 14.08.2020 / We reserve the right to make technical changes.

SAI Y-4S M8-M8

Weidmüller Interface GmbH & Co. KG
 Klingenbergstraße 26
 D-32758 Detmold
 Germany
 Fon: +49 5231 14-0
 Fax: +49 5231 14-292083
 www.weidmueller.com

Technical data

Dimensions and weights

Net weight	12 g
------------	------

Environmental Product Compliance

REACH SVHC	Lead 7439-92-1
------------	----------------

Connection data

Group outlet - plug-in connector	M8 pin	Single outlet 1 - plug-in connector	M8 socket
Single outlet 2 - plug-in connector	M8 socket	Tightening torque	M8: 0.5 - 0.6 Nm

General data

Coding	none	Conductor O.D.	-
Connection thread	M8 / M8	Contact material, pin	CuZn
Contact material, socket	CuSn	Contact surface	Au (Gold)
Housing main material	PUR	Number of poles	4
Plugging cycles	≥ 100	Pollution severity	3
Protection degree	IP67	Rated current	4 A
Rated voltage	60 V	Shield connection	No
Temperature range of housing	-25...+85 °C		

Classifications

ETIM 6.0	EC002925	ETIM 7.0	EC002925
eClass 9.0	27-44-01-06	eClass 9.1	27-44-01-06
eClass 10.0	27-44-01-06	UNSPSC	30-21-18-10

Approvals

Approvals



ROHS	Conform
------	---------

Downloads

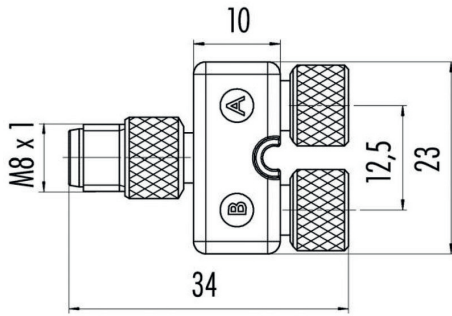
Brochure/Catalogue	CAT 8 SAI 15/16 EN FL FIELDWIRING EN
--------------------	---

SAI Y-4S M8-M8

Weidmüller Interface GmbH & Co. KG
 Klingenbergstraße 26
 D-32758 Detmold
 Germany
 Fon: +49 5231 14-0
 Fax: +49 5231 14-292083
 www.weidmueller.com

Drawings

Dimensioned drawing



Wiring diagram

