

## BL/SL 3.50 VR BK BX

**Weidmüller Interface GmbH & Co. KG**

Klingenbergstraße 26

D-32758 Detmold

Germany

[www.weidmueller.com](http://www.weidmueller.com)

### Product image



Similar to illustration

#### No task is too small when creating the perfect solution. [br />](#)

Connections form just one part of the overall process. Small details are often the key to the perfect solution in applications where potentials are tested, grouped or even isolated.

A system is not a system without small but useful details:

- Test plugs - ensure reliable pick-up from diagnostic sockets
- Cross-connectors - ensure a stable electrical distribution contact directly at the connection
- Compartment partition elements - divide a large number of male connectors into several separate socket connector channels
- Locks and clips - optional vibration-resistant clip-on connection or mounting for male and female connectors

In tandem with the manufacturing process and application - more accessories = smaller workload

#### General ordering data

|              |  |
|--------------|--|
| Version      | PCB plug-in connector, Accessories, Latches, black, Number of poles: 0 |
| Order No.    | <a href="#">1669300000</a>   |
| Type         | BL/SL 3.50 VR BK BX  |
| GTIN (EAN)   | 400819042847 1   |
| Qty.         | 100 pc(s).   |
| Product data |  |
| Packaging    | Box  |

**BL/SL 3.50 VR BK BX**
**Weidmüller Interface GmbH & Co. KG**

Klingenbergstraße 26

D-32758 Detmold

Germany

www.weidmueller.com

**Technical data**
**Dimensions and weights**

|            |        |
|------------|--------|
| Net weight | 0.33 g |
|------------|--------|

**Temperatures**

|                             |        |                             |        |
|-----------------------------|--------|-----------------------------|--------|
| Operating temperature, min. | -50 °C | Operating temperature, max. | 100 °C |
|-----------------------------|--------|-----------------------------|--------|

**Material data**

|                                       |          |                                       |        |
|---------------------------------------|----------|---------------------------------------|--------|
| Insulating material                   | PA       | Colour                                | black  |
| Colour chart (similar)                | RAL 9011 | Storage temperature, min.             | -40 °C |
| Storage temperature, max.             | 70 °C    | Operating temperature, min.           | -50 °C |
| Operating temperature, max.           | 100 °C   | Temperature range, installation, min. | -25 °C |
| Temperature range, installation, max. | 100 °C   |                                       |        |

**Rated data acc. to IEC**

|                         |                        |
|-------------------------|------------------------|
| tested acc. to standard | IEC 60664-1, IEC 61984 |
|-------------------------|------------------------|

**Packing**

|           |        |            |        |
|-----------|--------|------------|--------|
| Packaging | Box    | VPE length | 105 mm |
| VPE width | 105 mm | VPE height | 16 mm  |

**Classifications**

|             |             |             |             |
|-------------|-------------|-------------|-------------|
| ETIM 6.0    | EC002943    | ETIM 7.0    | EC002943    |
| ETIM 8.0    | EC002943    | ECLASS 9.0  | 27-44-04-92 |
| ECLASS 9.1  | 27-44-04-92 | ECLASS 10.0 | 27-44-04-92 |
| ECLASS 11.0 | 27-46-04-05 | ECLASS 12.0 | 27-46-04-05 |

**Important note**

|                |  |
|----------------|--|
| IPC conformity | Conformity: The products are developed, manufactured and delivered according international recognized standards and norms and comply with the assured properties in the data sheet resp. fulfill decorative properties in accordance with IPC-A-610 "Class 2". Further claims on the products can be evaluated on request. |
|----------------|--|

|       |  |
|-------|--|
| Notes | <ul style="list-style-type: none"> <li>Long term storage of the product with average temperature of 50 °C and average humidity 70%, 36 months</li> </ul> |
|-------|--|

**Approvals**

Approvals



|      |         |
|------|---------|
| ROHS | Conform |
|------|---------|

**BL/SL 3.50 VR BK BX****Weidmüller Interface GmbH & Co. KG**

Klingenbergstraße 26

D-32758 Detmold

Germany

[www.weidmueller.com](http://www.weidmueller.com)**Technical data****Downloads**

---

|            |   |
|------------|---|
| Catalogues | <a href="#">Catalogues in PDF-format</a>  |
| Brochures  | <a href="#">FL DRIVES EN</a><br><a href="#">MB DEVICE MANUF. EN</a><br><a href="#">FL DRIVES DE</a><br><a href="#">FL BUILDING SAFETY EN</a><br><a href="#">FL APPL LED LIGHTING EN</a><br><a href="#">FLIndustr.CONTROLS EN</a><br><a href="#">FL MACHINE SAFETY EN</a><br><a href="#">FL HEATING ELECTR EN</a><br><a href="#">FL APPL INVERTER EN</a><br><a href="#">FL_BASE_STATION_EN</a><br><a href="#">FL ELEVATOR EN</a><br><a href="#">FL POWER SUPPLY EN</a><br><a href="#">FL 72H SAMPLE SER EN</a><br><a href="#">PO OMNIMATE EN</a><br><a href="#">PO OMNIMATE EN</a> |

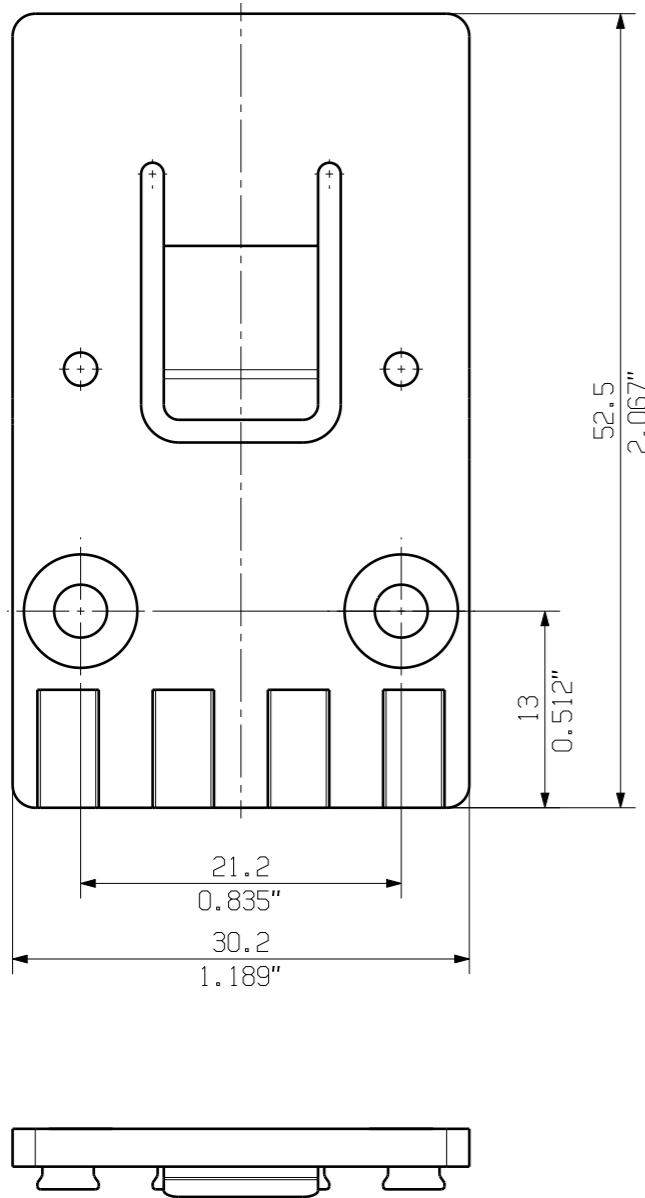
---

MASSE OHNE TOLERANZ SIND KEINE PRUEFMASSE  
 DIMS. WITHOUT TOLERANCE ARE NOT CONTROL DIMS.

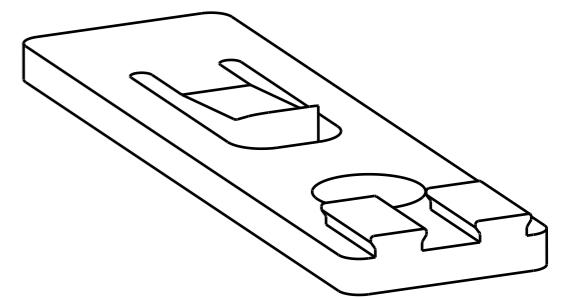
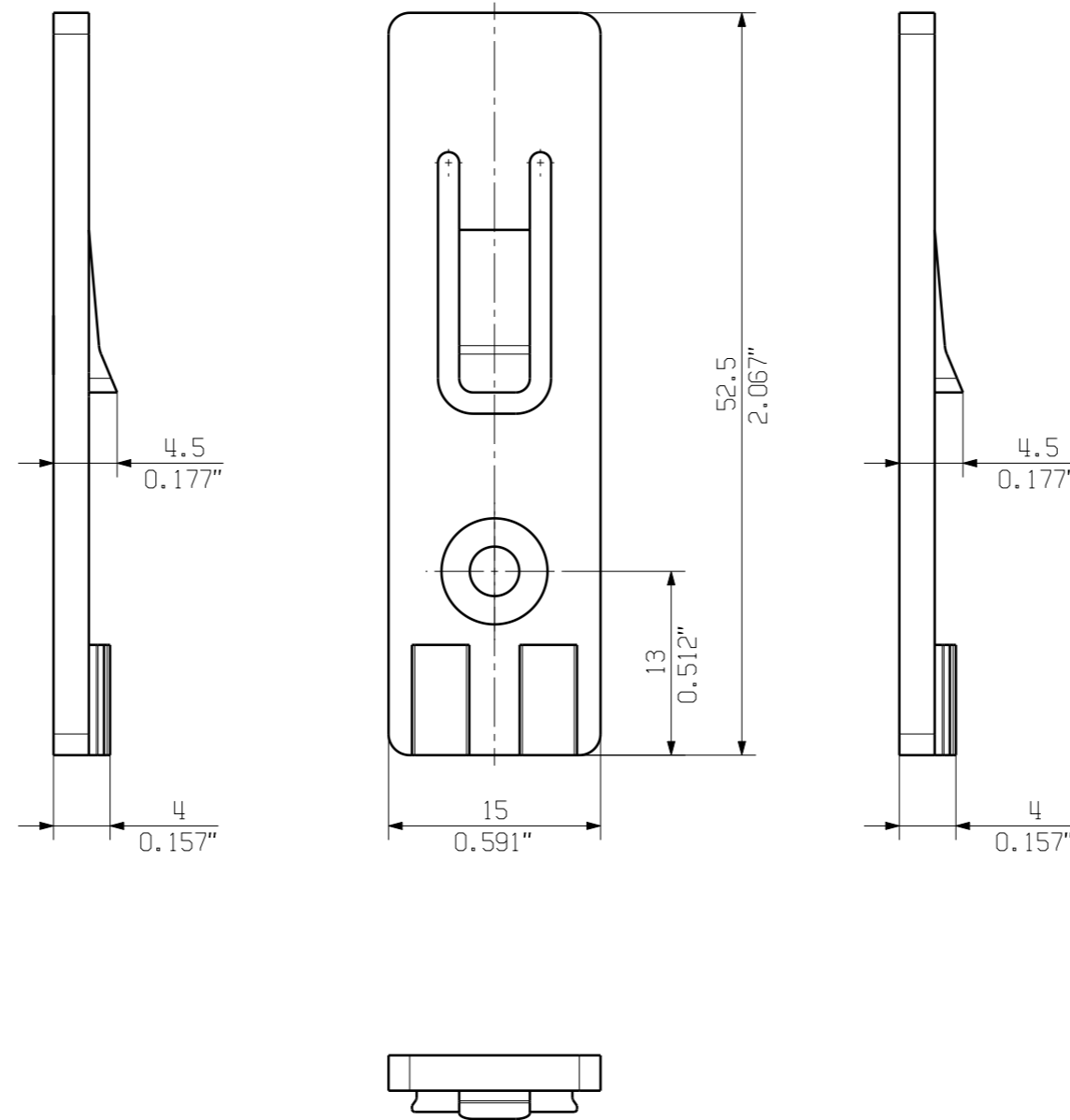
ALLGEMEINGUELTIGE KUNDENZEICHNUNG, AKTUELLER STAND NUR AUF ANFRAGE  
 GENERAL CUSTOMER DRAWING, TOPICAL VERSION ONLY IF REQUIRED

DIE DEUTSCHE VERSION IST VERBINDLICH  
 THE GERMAN VERSION IS BINDING

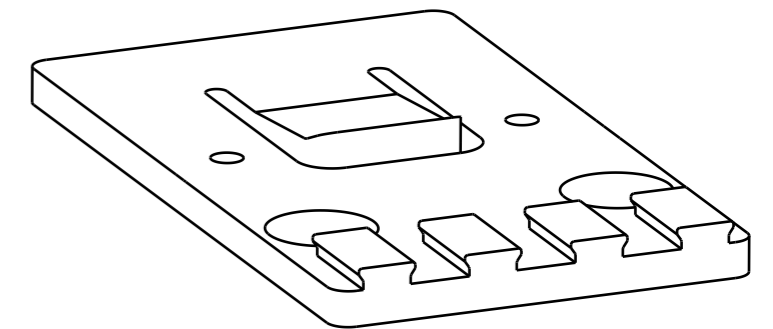
SHOWN: ARPL BV/SV7.62HP/4AN



SHOWN: ARPL BV/SV7.62HP/2AN



ARPL BV/SV7.62HP/2AN



ARPL BV/SV7.62HP/4AN

|                       |                         |                      |
|-----------------------|-------------------------|----------------------|
| PA 66/6 V0 30 GF GR   | BV/SV7.62HP/4AN ARPL GR | 1937580000           |
| PA 66/6 V0 30 GF GR   | BV/SV7.62HP/2AN ARPL GR | 1937570000           |
| WERKSTOFF<br>MATERIAL | TYP<br>PART NAME        | BEST.-NR.<br>CAT.NO. |

|  |                |                                       |                                   |
|--|----------------|---------------------------------------|-----------------------------------|
| GENERAL TOLERANCE:<br>DIN ISO 2768-mK                        |                | CAT.NO.: .                            |                                   |
|  | MAX. NRN./NOS. | 84373/5<br>29.09.15<br>GUETZLAFF_T 01 |                                   |
|  | MODIFICATION   |                                       |                                   |
|  | DRAWN          | 12.12.2005                            | NEUMANN_G                         |
|  | RESPONSIBLE    |                                       | KRUG_M                            |
|  | CHECKED        | 02.10.2015                            | LANG_T                            |
| SCALE: 2/1   | CHECKED        | 02.10.2015                            | LANG_T                            |
| SUPERSEDES: .  | APPROVED       |                                       | LANG_T                            |
| <b>BV/SV7.62HP... ARPL</b><br>ADAPTERPLATTE<br>ADAPTER PLATE |                |                                       | PRODUCT FILE: SV/BVZ 7.62 HP 7340 |

WEITERGABE SOWIE Vervielfaeltigung dieses Dokuments, Verwertung und Mitteilung seines Inhalts sind verboten, soweit nicht ausdruuecklich gestattet.  
 ZUWIDERHANDLUNGEN VERPFLICHTEN ZU SCHADENERSATZ. ALLE RECHTE FUER DEN FALL DER PATENT-, GEBRAUCHSMUSTER- ODER GESCHMACKSMUSTEREINTRAGUNG VORBEHALTEN.  
 THE REPRODUCTION, DISTRIBUTION AND UTILIZATION OF THIS DOCUMENT AS WELL AS THE COMMUNICATION OF ITS CONTENTS TO OTHERS WITHOUT EXPLICIT AUTHORIZATION IS PROHIBITED.  
 OFFENDERS WILL BE HELD LIABLE FOR THE PAYMENT OF DAMAGES. WEIDMUELLER EXCLUSIVELY RESERVES THE RIGHT TO FILE FOR PATENTS, UTILITY MODELS OR DESIGNS.  
 © WEIDMUELLER INTERFACE GmbH & Co.KG