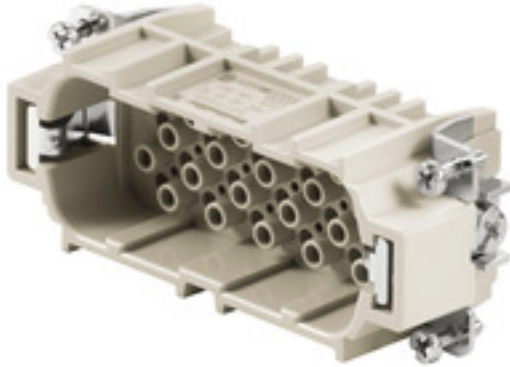


## HDC insert HDC HD 40 MC

**Weidmüller Interface GmbH & Co. KG**  
 Klingenbergstraße 16  
 D-32758 Detmold  
 Germany  
 Fon: +49 5231 14-0  
 Fax: +49 5231 14-292083  
 www.weidmueller.com



The HD series features high-density contacts and is thus ideally suited to signal processing.  
 The wire connection level is designed for crimp contacts.  
 The proven crimp connection method has been in standard use for decades.  
 Crimp contacts are not included in the scope of delivery of inserts.  
 Crimp connection

### General ordering data

Type	HDC HD 40 MC
Order No.	<a href="#">1601710000</a>
Version	HDC insert, Male, 250 V, 10 A, No. of poles: 40, Crimp connection, Size: 6
GTIN (EAN)	4008190154769
Qty.	1 pc(s).

**HDC insert  
HDC HD 40 MC**

**Weidmüller Interface GmbH & Co. KG**  
 Klingenbergstraße 16  
 D-32758 Detmold  
 Germany  
 Fon: +49 5231 14-0  
 Fax: +49 5231 14-292083  
 www.weidmueller.com

**Technical data****Dimensions and weights**

Length	84.5 mm	Length (inches)	3.327 inch
Width	34 mm	Width (inches)	1.339 inch
Height	39.5 mm	Height (inches)	1.555 inch
Net weight	57 g		

**Temperatures**

Limit temperature	-40 °C ... 125 °C
-------------------	-------------------

**Dimensions**

Height of plug	39.5 mm	Total length base	84.5 mm
----------------	---------	-------------------	---------

**General data**

Conductor cross-section	2.5 mm <sup>2</sup>	Insulating material	PC glass-fibre reinforced (UL-listed and railway-certified)
Insulating material group	IIIa	Insulation resistance	10 <sup>10</sup> Ω
Material	Copper alloy	No. of poles	40
Plugging cycles, gold	≥ 500	Plugging cycles, silver	≥ 500
Pollution severity	3	Rated current (DIN EN 61984)	10 A
Rated impulse voltage (DIN EN 61984)	4 kV	Rated voltage (DIN EN 61984)	250 V
Rated voltage according to UL/CSA	600 V AC/DC	Series	HD
Size	6	Surface finish	Silver passivated, gold
Type	Male	UL 94 flammability rating	V-0
Volume resistance	≤ 4mΩ		

**Connection data PE**

Blade size, crosshead	size PZ 1	Blade size, slotted (PE connection)	SD 0.6 x 3.5, SD 0.8 x 4.0
Connection type PE	Screw connection	Fixing screw	M 4
Rated cross-section	2.5 mm <sup>2</sup>	Stripping length PE connection	10 mm
Tightening torque, max. PE connection	1.5 Nm	Tightening torque, min. PE connection	1.2 Nm
Wire connection cross section, finely stranded, max.	2.5 mm <sup>2</sup>	Wire connection cross-section, finely stranded with wire-end ferrules DIN 46228/4, max.	2.5 mm <sup>2</sup>
Wire connection cross-section, finely stranded with wire-end ferrules DIN 46228/4, min.	0.5 mm <sup>2</sup>	Wire connection cross-section, finely stranded, min.	0.5 mm <sup>2</sup>
Wire cross section, AWG (PE), max.	AWG 14	Wire cross section, AWG (PE), min.	AWG 20
Wire cross-section, solid, max.	2.5 mm <sup>2</sup>	Wire cross-section, solid, min.	0.5 mm <sup>2</sup>

**HDC insert  
HDC HD 40 MC**

**Weidmüller Interface GmbH & Co. KG**  
 Klingenbergstraße 16  
 D-32758 Detmold  
 Germany  
 Fon: +49 5231 14-0  
 Fax: +49 5231 14-292083  
 www.weidmueller.com

**Technical data****Version**

Conductor cross-section, max.	2.5 mm <sup>2</sup>	Conductor cross-section, min.	0.14 mm <sup>2</sup>
Material	Copper alloy	Size	6
Stripping length, rated connection	8 mm	Surface finish	Silver passivated, gold
Type of connection	Crimp connection	Volume resistance	≤ 4mΩ
Wire connection cross section AWG, max.	AWG 14	Wire connection cross section AWG, min.	AWG 26
Wire connection cross section, finely stranded, max.	2.5 mm <sup>2</sup>	Wire connection cross-section, finely stranded with wire-end ferrules DIN 46228/4, max.	2.5 mm <sup>2</sup>
Wire connection cross-section, finely stranded with wire-end ferrules DIN 46228/4, min.	0.5 mm <sup>2</sup>	Wire connection cross-section, finely stranded, min.	0.5 mm <sup>2</sup>
Wire cross-section, solid, max.	2.5 mm <sup>2</sup>	Wire cross-section, solid, min.	0.5 mm <sup>2</sup>

**Classifications**

ETIM 3.0	EC001121	ETIM 4.0	EC001121
ETIM 5.0	EC001121	ETIM 6.0	EC000438
UNSPSC	30-21-18-01	eClass 5.1	27-14-34-19
eClass 6.2	27-26-12-04	eClass 7.1	27-44-02-05
eClass 8.1	27-44-02-05	eClass 9.0	27-44-02-05
eClass 9.1	27-44-02-05		

**Product information**

Descriptive text ordering data	Please use this insert type doubled for size 10 (80-pole). We recommend the use of guide pins and sockets.
Instructions for accessories	Accessories, see chapter J - Tools, see chapter K

**Approvals**

Approvals



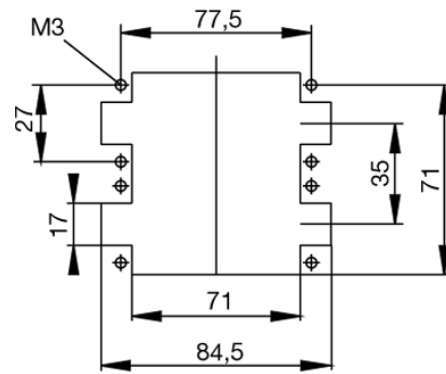
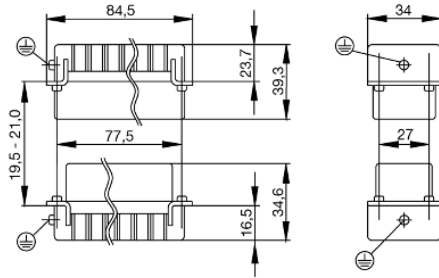
ROHS Conform

**Downloads**

Brochure/Catalogue	<a href="#">CAT 3 HDC 17/18 EN</a> <a href="#">FL FIELDWIRING EN</a>
Engineering Data	<a href="#">EPLAN, WSCAD, Zuken E3.S</a>
Engineering Data	<a href="#">STEP</a>

**HDC insert  
HDC HD 40 MC**

**Weidmüller Interface GmbH & Co. KG**  
Klingenbergstraße 16  
D-32758 Detmold  
Germany  
Fon: +49 5231 14-0  
Fax: +49 5231 14-292083  
www.weidmueller.com

**Drawings**

# Tightening torques and screwing tools

Screw size	Connector type	Dia. tightening torque in Nm	Recommended blade inserts and AF size for hexagon socket
<b>M 2.5</b>	<b>Signal contacts</b>		
	S 6/6	0.5 - 0.55	SD 0.6 x 3.5 mm or PZ0
	S 6/12	0.5 - 0.55	SD 0.6 x 3.5 mm or PZ0
<b>M 2.9 x 0.5</b>	<b>Fastening screws</b>		
	HQ 4/2	0.8 (plastic) / 1.1 (metal)	SD 0.6 x 3.5 mm or PH0
	HQ 8	0.8 (plastic) / 1.1 (metal)	SD 0.6 x 3.5 mm or PH0
	HQ 17	0.8 (plastic) / 1.1 (metal)	SD 0.6 x 3.5 mm or PH0
<b>M 3</b>	<b>Contact screws</b>		
	HA 3	0.5 - 0.55	SD 0.5 x 3.0 mm
	HA 4	0.5 - 0.55	SD 0.5 x 3.0 mm
	HA 10 bis HA 48	0.5 - 0.55	SD 0.6 x 3.5 mm or PH0
	HE	0.5 - 0.55	SD 0.6 x 3.5 mm or PZ0
	HVE	0.5 - 0.55	SD 0.6 x 3.5 mm or PZ0
	<b>Signal contacts:</b>		
	S 4/2	0.5 - 0.55	SD 0.6 x 3.5 mm or PZ0
	S 4/8	0.5 - 0.55	SD 0.6 x 3.5 mm or PZ0
	<b>PE connection via female contact</b>		
	S 4	0.5 - 0.8	SD 0.6 x 3.5 mm
	ConCept modular frame, metal	0.5 - 0.55	SD 0.6 x 3.5 mm
	<b>PE terminal</b>		
	HQ 5	0.5 - 0.55	SD 0.6 x 3.5 or 0.8 x 4 mm
	HQ 7	0.5 - 0.55	SD 0.6 x 3.5 or 0.8 x 4 mm
	<b>Fastening screws</b>	0.5 - 0.55	SD 0.6 x 3.5 mm or PZ0
	<b>Guide pin</b>	0.5 - 0.55	SD 0.6 x 3.5 mm or PZ0
	<b>Guide bush</b>	0.5 - 0.55	SD 0.6 x 3.5 mm or PZ0
	<b>Coding pins</b>	0.5 - 0.55	SD 0.6 x 3.5 mm or PZ0
	<b>M 4</b>	<b>Contact screws</b>	
HSB		1.2 - 1.5	SD 0.6 x 3.5 or 0.8 x 4 mm or PZ1
<b>PE connection via male contact</b>			
S 4		0.5 - 0.8	SD 0.6 x 3.5 mm
ConCept modular frame, metal		1.2 - 1.5	SD 0.6 x 3.5 mm
<b>PE terminal</b>			
HA		1.2 - 1.5	SD 0.6 x 3.5 or 0.8 x 4 mm or PH1
HE		1.2 - 1.5	SD 0.6 x 3.5 or 0.8 x 4 mm or PH1
HEE		1.2 - 1.5	SD 0.6 x 3.5 or 0.8 x 4 mm or PH1
HVE		1.2 - 1.5	SD 0.6 x 3.5 or 0.8 x 4 mm or PH1
HD		1.2 - 1.5	SD 0.6 x 3.5 or 0.8 x 4 mm or PZ1
HDD		1.2 - 1.5	SD 0.6 x 3.5 or 0.8 x 4 mm or PZ1
S 6/6 (for signal contacts)		1.2 - 1.5	0.8 x 4 mm or PZ1
ConCept modular frame, plastic		1.2 - 1.5	0.8 x 4 mm or PZ1
<b>M 5</b>		<b>PE terminal</b>	
	HSB	2 - 2.5	SD 1 x 5.5 mm or PZ2
	S 4/0 (Screw connection)	2 - 2.5	SD 1.2 x 6.5 mm or PH2
	S 4/0 (Axial screw connection)	2 - 2.5	SD 0.8 x 4 mm or PZ 2
	S 4/2	2 - 2.5	SD 1.2 x 6.5 mm or PH2
	S 4/8	2 - 2.5	SD 1.2 x 6.5 mm or PH2
	S 6/12	2 - 2.5	SD 0.8 x 4 mm or PZ 2
	S 6/36	2 - 2.5	SD 1.2 x 6.5 mm or PH2
	S 8/24	2 - 2.5	SD 1.2 x 6.5 mm or PH2
	S 12/2	2 - 2.5	SD 1.2 x 6.5 mm or PH2
	<b>M 6</b>	<b>Power contacts</b>	
S 4/0 (Screw connection)		1.2 (1.5 mm <sup>2</sup> ) / 2 (2.5 mm <sup>2</sup> ) / 3 (4-16 mm <sup>2</sup> )	SD 0.8 x 4 mm
S 4/2		1.2 (1.5 mm <sup>2</sup> ) / 2 (2.5 mm <sup>2</sup> ) / 3 (4-16 mm <sup>2</sup> )	SD 0.8 x 4 mm
S 4/8		1.2 (1.5 mm <sup>2</sup> ) / 2 (2.5 mm <sup>2</sup> ) / 3 (4-16 mm <sup>2</sup> )	SD 0.8 x 4 mm
<b>M 7 x 0.75</b>	<b>Power contacts</b>		
	S 4	1.1 - 1.7	SW 2
	S 6/6 (+ PE)	6 - 8	SW 4
<b>M 8 x 0.75</b>	<b>Power contacts</b>		
	S 6/12	1.1 - 1.7	SW 2
	S 8/0 (+ PE)	6 (10-16 mm <sup>2</sup> ) - 7 (25 mm <sup>2</sup> )	SW 4
<b>M10 x 1</b>	<b>Power contacts</b>		
	S 4/0 (Axial connection)	2 - 3	SW 3

Increasing the tightening torque does not improve the contact resistance. The stated torque settings offer optimal mechanical, thermal and electrical conditions. Exceeding the recommended values may even damage the conductor and terminal.