

IE-AD-M12DRJ45-MF-90

Weidmüller Interface GmbH & Co. KG
Klingenbergstraße 26
D-32758 Detmold
Germany

www.weidmueller.com



General ordering data

Version	Adapter, angled, RJ45 90°, M12, Cat.5 (ISO/IEC 11801), IP67
Order No.	1514940000
Type	IE-AD-M12DRJ45-MF-90
GTIN (EAN)	4050118322309
Qty.	1 pc(s).

Creation date March 12, 2024 5:14:47 PM CET

Catalogue status 09.03.2024 / We reserve the right to make technical changes.

IE-AD-M12DRJ45-MF-90

Weidmüller Interface GmbH & Co. KG

Klingenbergstraße 26

D-32758 Detmold

Germany

www.weidmueller.com

Technical data

Dimensions and weights

Net weight	35 g
------------	------

Temperatures

Storage temperature	-40 °C...80 °C	Operating temperature	-25 °C...80 °C
---------------------	----------------	-----------------------	----------------

Technical data customisable plug-in connectors

Category	Cat.5 (ISO/IEC 11801)	Coding	D-coded
Contact surface	Gold-plated	Housing main material	PA 66
Number of poles	4	Protection degree	IP67

General Info

Number of poles	4	Connection 1	RJ45 90°
Connection 2	M12	Description of article	Adapter, angled
Configuration	M12 pin on RJ45 socket	Housing main material	PA 66
Category	Cat.5 (ISO/IEC 11801)	Connection thread	M12
Contact surface	Gold-plated	Shielding	Yes
Protection degree	IP67		

Electrical properties

Contact resistance	≤ 10 mΩ	Current-carrying capacity at 50 °C	1 A
--------------------	---------	------------------------------------	-----

Standards

Connector standard	IEC 60603-7-5, IEC 61076-2-101
--------------------	--------------------------------

General technical specifications

Coding	D-coded	Connection thread	M12
Contact surface	Gold-plated	Housing main material	PA 66
Number of poles	4	Protection degree	IP67
Version	angled		

Classifications

ETIM 6.0	EC000313	ETIM 7.0	EC000313
ETIM 8.0	EC000313	ETIM 9.0	EC000313
ECLASS 9.0	27-44-03-20	ECLASS 9.1	19-17-01-25
ECLASS 10.0	27-44-03-20	ECLASS 11.0	27-44-03-20
ECLASS 12.0	27-44-03-20	ECLASS 13.0	27-44-03-20

Environmental Product Compliance

REACH SVHC	Lead 7439-92-1
SCIP	d1193a9e-dc7c-484a-ba48-176711eb392b

IE-AD-M12DRJ45-MF-90

Weidmüller Interface GmbH & Co. KG
Klingenbergstraße 26
D-32758 Detmold
Germany

www.weidmueller.com

Technical data

Approvals

Approvals



ROHS	Conform
UL File Number Search	UL Website
Certificate no. (cULus)	E471884

Downloads

Approval/Certificate/Document of Conformity	PROFINET Manufacturer's Declaration
Engineering Data	CAD data – STEP
User Documentation	MAN IE GUIDE DE MAN IE GUIDE EN
Catalogues	Catalogues in PDF-format
Brochures	FL FIELDWIRING EN PI PROFINET CABLING EN PI PROFINET CABLING EN

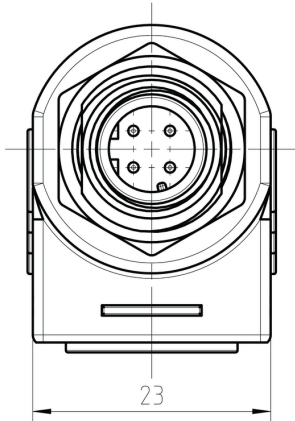
IE-AD-M12DRJ45-MF-90

Weidmüller Interface GmbH & Co. KG
Klingenbergstraße 26
D-32758 Detmold
Germany

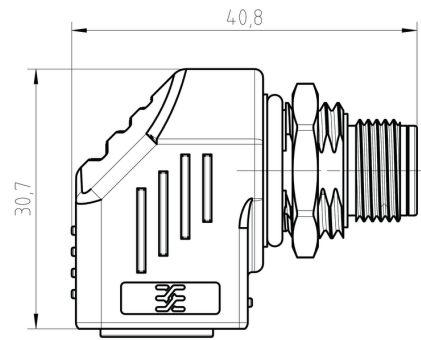
www.weidmueller.com

Drawings

Dimensioned drawing



Dimensioned drawing



Installation cut-out

