

KWN-M12/-25 90**Weidmüller Interface GmbH & Co. KG**

Klingenbergstraße 26

D-32758 Detmold

Germany

www.weidmueller.com



The use of insulated connectors guarantees users consistent electrical connection quality in the long term.

- Wide range of insulated and non-insulated cable lugs and connectors
- Tubular cable lugs according to current market standards (Euroseries)
- Compression cable lugs acc. to DIN 46235
- Sheet metal cable lugs acc. to DIN 46234
- Insulated ring cable lugs to DIN 46237
- Insulated pin cable lugs to DIN 46231

General ordering data

Version	cable lug, terminal end,25 mm ²
Order No.	1495890000
Type	KWN-M12/-25 90
GTIN (EAN)	4050118305647
Qty.	100 pc(s).

Creation date December 5, 2023 9:44:27 AM CET

Catalogue status 24.11.2023 / We reserve the right to make technical changes.

KWN-M12/-25 90

Weidmüller Interface GmbH & Co. KG
 Klingenbergstraße 26
 D-32758 Detmold
 Germany

www.weidmueller.com

Technical data

Dimensions and weights

Net weight 15.136 g

Technical data

Version Euro series 90°

Connectors

Conductor cross-section	25 mm ²	Connection length (l)	20.5 mm
Flange width (b)	20 mm	Hole	M 12
Inside diameter of flange (d2)	13 mm	Inside diameter of shaft (d1)	7 mm
Insulation	not available	Outside diameter of shaft (d3)	10 mm
Shaft length (a)	14 mm		

Classifications

ETIM 6.0	EC001051	ETIM 7.0	EC001051
ETIM 8.0	EC001051	ETIM 9.0	EC001051
ECLASS 9.0	27-40-02-05	ECLASS 9.1	27-40-02-05
ECLASS 10.0	27-40-02-05	ECLASS 11.0	27-40-02-05
ECLASS 12.0	27-40-02-05	ECLASS 13.0	27400205

Approvals

Approvals



ROHS Conform

Downloads

Catalogues [Catalogues in PDF-format](#)

Brochures

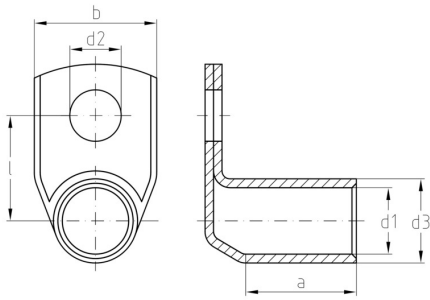
Data sheet

KWN-M12/-25 90

Weidmüller Interface GmbH & Co. KG
Klingenbergstraße 26
D-32758 Detmold
Germany

www.weidmueller.com

Drawings



KWN-M12/-25 90

Weidmüller Interface GmbH & Co. KG
 Klingenbergstraße 26
 D-32758 Detmold
 Germany

www.weidmueller.com

Accessories

... for tubular cable lugs (acc. to EN 13600)



Crimping tools for cable lugs, connectors and wire-end ferrules with interchangeable inserts

- extremely fast processing thanks to hydraulic support
- large processing range up to 400 mm²
- 360° revolving quick action crimping head
- automatic pressure limitation and monitoring via pressure sensor
- Additional features for APG series:
- electronic control and monitoring of the crimping process
- Saving of all crimping cycles and error messages to internal memory
- Reading of all cycles and error messages via USB

General ordering data

Type	ES APG 80 WM 25	Version
Order No.	1502480000	25mm ² , WM crimp
GTIN (EAN)	4050118310634	
Qty.	1 pc(s).	

... for compression cable lugs (acc. to DIN 46235)



Crimping tools for cable lugs, connectors and wire-end ferrules with interchangeable inserts

- extremely fast processing thanks to hydraulic support
- large processing range up to 400 mm²
- 360° revolving quick action crimping head
- automatic pressure limitation and monitoring via pressure sensor
- Additional features for APG series:
- electronic control and monitoring of the crimping process
- Saving of all crimping cycles and error messages to internal memory
- Reading of all cycles and error messages via USB

General ordering data

Type	ES APG 80 HEX 25	Version
Order No.	1502640000	Hexagonal crimp
GTIN (EAN)	4050118310573	
Qty.	1 pc(s).	

KWN-M12/-25 90

Weidmüller Interface GmbH & Co. KG
Klingenbergstraße 26
D-32758 Detmold
Germany

www.weidmueller.com

Accessories

... for compression cable lugs



Crimping tools for cable lugs, connectors and wire-end ferrules with interchangeable inserts

- extremely fast processing thanks to hydraulic support
- large processing range up to 300 mm²
- 270° revolving quick-action crimping head
- automatic pressure limitation and monitoring via pressure sensor
- electronic control and monitoring of the crimping process
- Saving of all crimping cycles and error messages to internal memory
- Reading of all cycles and error messages via USB
- Li-ion rechargeable battery with charge status indicator: 18 V, 1.5 Ah

General ordering data

Type	ES EPG/HPG 60 HEX 25	Version	
Order No.	2505180000		Crimping tool insert, Hexagonal crimp
GTIN (EAN)	4050118519570		
Qty.	1 pc(s).		

... for compression cable lugs (acc. to DIN 46235)



Crimping tools for cable lugs, connectors and wire-end ferrules with interchangeable inserts

- extremely fast processing thanks to hydraulic support
- large processing range up to 300 mm²
- 270° revolving quick-action crimping head
- automatic pressure limitation and monitoring via pressure sensor
- electronic control and monitoring of the crimping process
- Saving of all crimping cycles and error messages to internal memory
- Reading of all cycles and error messages via USB
- Li-ion rechargeable battery with charge status indicator: 18 V, 1.5 Ah

General ordering data

Type	ES EPG 45 HEX 25/50	Version	
Order No.	1500970000		Hexagonal crimp
GTIN (EAN)	4050118309195		
Qty.	1 pc(s).		

KWN-M12/-25 90

Weidmüller Interface GmbH & Co. KG
 Klingenbergstraße 26
 D-32758 Detmold
 Germany

www.weidmueller.com

Accessories

... for tubular cable lugs (acc. to EN 13600)



Crimping tools for cable lugs, connectors and wire-end ferrules with interchangeable inserts

- extremely fast processing thanks to hydraulic support
- large processing range up to 300 mm²
- 270° revolving quick-action crimping head
- automatic pressure limitation and monitoring via pressure sensor
- electronic control and monitoring of the crimping process
- Saving of all crimping cycles and error messages to internal memory
- Reading of all cycles and error messages via USB
- Li-ion rechargeable battery with charge status indicator: 18 V, 1.5 Ah

General ordering data

Type	ES EPG 45 WM 25/50	Version
Order No.	1500880000	WM crimp
GTIN (EAN)	4050118309171	
Qty.	1 pc(s).	

Tools



Crimping tools for cable lugs, connectors and wire-end ferrules with interchangeable inserts

- extremely fast processing thanks to hydraulic support
- large processing range up to 400 mm²
- 360° revolving quick action crimping head
- automatic pressure limitation and monitoring via pressure sensor
- Additional features for APG series:
- electronic control and monitoring of the crimping process
- Saving of all crimping cycles and error messages to internal memory
- Reading of all cycles and error messages via USB

General ordering data

Type	HPG 60	Version
Order No.	2453820000	6mm ² , 300mm ² , Hexagonal crimp, WM crimp, Indent crimp,
GTIN (EAN)	4050118468427	Trapezoidal crimp, Oval crimping
Qty.	1 pc(s).	
Type	APG 80	Version
Order No.	1502390000	6mm ² , 400mm ²
GTIN (EAN)	4050118310627	
Qty.	1 pc(s).	

KWN-M12/-25 90

Weidmüller Interface GmbH & Co. KG
Klingenbergstraße 26
D-32758 Detmold
Germany

www.weidmueller.com

Accessories

Tools



Crimping tools for cable lugs, connectors and wire-end ferrules with interchangeable inserts

- extremely fast processing thanks to hydraulic support
- large processing range up to 300 mm²
- 270° revolving quick-action crimping head
- automatic pressure limitation and monitoring via pressure sensor
- electronic control and monitoring of the crimping process
- Saving of all crimping cycles and error messages to internal memory
- Reading of all cycles and error messages via USB
- Li-ion rechargeable battery with charge status indicator: 18 V, 1.5 Ah

General ordering data

Type	EPG 60	Version
Order No.	2453810000	Pressing tools, Tools, Pressing tool, 6mm ² , 300mm ² , Hexagonal crimp,
GTIN (EAN)	4050118468434	WM crimp, Indent crimp, Trapezoidal crimp, Oval crimping
Qty.	1 pc(s).	
Type	EPG 45	Version
Order No.	1500830000	Pressing tool, 6mm ² , 150mm ² , Hexagonal crimp, WM crimp, Indent
GTIN (EAN)	4050118309317	crimp, Trapezoidal crimp, Oval crimping
Qty.	1 pc(s).	

Crimping tool for tubular (EN 13600) and compression cable lugs (DIN 46235)



Crimping tools for tubular and compression cable lugs with swivel crimping star.

- Integrated crimping star for different cross-sections
- Hexagon crimping tools for compression cable lugs
- WM-From crimping tools for tubular cable lugs
- wide processing range up to 70 or 120 mm²

General ordering data

Type	PZ RK 10/120	Version
Order No.	1500450000	10mm ² , 120mm ²
GTIN (EAN)	4050118309065	
Qty.	1 pc(s).	
Type	PZ RK 6/70	Version
Order No.	1500440000	6mm ² , 70mm ²
GTIN (EAN)	4050118309058	
Qty.	1 pc(s).	

KWN-M12/-25 90

Weidmüller Interface GmbH & Co. KG
 Klingenbergstraße 26
 D-32758 Detmold
 Germany

www.weidmueller.com

Accessories**... for tubular cable lugs****Crimping tools for cable lugs, connectors and wire-end ferrules with interchangeable inserts**

- extremely fast processing thanks to hydraulic support
- large processing range up to 300 mm²
- 270° revolving quick-action crimping head
- automatic pressure limitation and monitoring via pressure sensor
- electronic control and monitoring of the crimping process
- Saving of all crimping cycles and error messages to internal memory
- Reading of all cycles and error messages via USB
- Li-ion rechargeable battery with charge status indicator: 18 V, 1.5 Ah

General ordering data

Type	ES EPG/HPG 60 WM 25	Version	
Order No.	2469560000		Crimping tool insert, WM crimp
GTIN (EAN)	4050118483840		
Qty.	1 pc(s).		