

TERMSERIES
TIA SUBD 15S
Weidmüller Interface GmbH & Co. KG

Klingenbergstraße 16

D-32758 Detmold

Germany

Fon: +49 5231 14-0

Fax: +49 5231 14-292083

www.weidmueller.com



Extensive wiring efforts lead to high throughput times in electrical cabinet building. Thanks to our TERMSERIES interface adapter, you benefit from the speed of our plug-and-play solution.

To reduce wiring times, pre-assembled cables are used between the control system and the interface level, and are simply connected to the TERMSERIES adapter. This enables throughput times in electrical cabinet building to be significantly reduced.

Our pre-assembled plug-and-play solution with TERMSERIES interface adapter enables minimised wiring effort. The adapter has a universal fit and offers a genuine space advantage in interaction with the TERMSERIES products with identical contours.

Thanks to its symmetrical structure, the adapter can be connected to both TERMSERIES coil and contact connections. The use of positive- and negative-switching logic is also possible for the lower level thanks to the potential changeover switch.

General ordering data

Type	TIA SUBD 15S
Order No.	1463530000
Version	TERMSERIES, Adapter, Sub-D, 15-pole, DIN 41652 / IEC 60807, Number of signal paths: 8, Rated voltage : 24 V DC, Rated current (per signal path): 125 mA
GTIN (EAN)	4050118323542
Qty.	1 pc(s).

**TERMSERIES
TIA SUBD 15S**

Weidmüller Interface GmbH & Co. KG
 Klingenbergstraße 16
 D-32758 Detmold
 Germany
 Fon: +49 5231 14-0
 Fax: +49 5231 14-292083
 www.weidmueller.com

Technical data
Dimensions and weights

Width	51 mm	Width (inches)	2.008 inch
Height	43 mm	Height (inches)	1.693 inch
Depth	52 mm	Depth (inches)	2.047 inch
Net weight	53.18 g		

Temperatures

Humidity	5...95% (indoor), T _u = 40°C, no condensation	Operating temperature, max.	60 °C
Operating temperature, min.	-40 °C	Storage temperature, max.	85 °C
Storage temperature, min.	-40 °C	Operating temperature	-40 °C...60 °C
Storage temperature	-40 °C...85 °C		

Supply

Supply voltage	24 V DC ± 20 %	Status display	Green LED
----------------	----------------	----------------	-----------

Signals

Current (per signal path), max.	1 A	Number of signal paths	8
Rated current (per signal path)	125 mA	Rated voltage	24 V DC
Total current of all signals, max.	1 A	Voltage, max.	30 V DC

General data

UL 94 flammability rating	V-0
---------------------------	-----

Insulation coordination

Rated voltage	32 V	Pollution severity	2
Surge voltage category	III	Impulse withstand voltage	1.5 kV
Protection degree	IP20 in installed state		

Further details of approvals / standards

Certificate no. (cULus)	E141197
-------------------------	---------

Connection data (supply)

Wire connection method	PUSH IN	Number of terminals	2 (+,-)
Clamping range, rated connection, min.	0.13 mm ²	Clamping range, rated connection, max.	1.5 mm ²
Blade size (supply)	0.6 x 3.5 mm		

Connection data (signal)

Plug type	Sub-D, 15-pole, DIN 41652 / IEC 60807
-----------	---------------------------------------

Classifications

ETIM 5.0	EC002586	ETIM 6.0	EC002780
eClass 6.2	27-24-22-02	eClass 7.1	27-37-92-08
eClass 8.1	27-37-92-08	eClass 9.0	27-37-16-92
eClass 9.1	27-14-11-52		

Data sheet**TERMSERIES
TIA SUBD 15S**

Weidmüller Interface GmbH & Co. KG
Klingenbergstraße 16
D-32758 Detmold
Germany
Fon: +49 5231 14-0
Fax: +49 5231 14-292083
www.weidmueller.com

Technical data**Product information**

Descriptive text ordering data Suitable for 6.4 mm wide TERMSERIES base

Approvals

Approvals

**Downloads**

Approval/Certificate/Document of Conformity	DE_PA5600_160331_001.pdf
Brochure/Catalogue	CAT 4.5 ELECTR 16/17 EN CAT 4.2 ELECTR 15/16 EN
Engineering Data	EPLAN, WSCAD
Engineering Data	STEP
User Documentation	1477400000.pdf

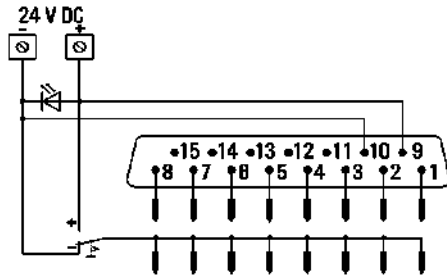
Data sheet

**TERMSERIES
TIA SUBD 15S**

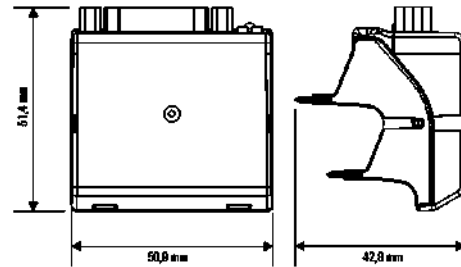
Weidmüller Interface GmbH & Co. KG
 Klingenbergstraße 16
 D-32758 Detmold
 Germany
 Fon: +49 5231 14-0
 Fax: +49 5231 14-292083
 www.weidmueller.com

Drawings

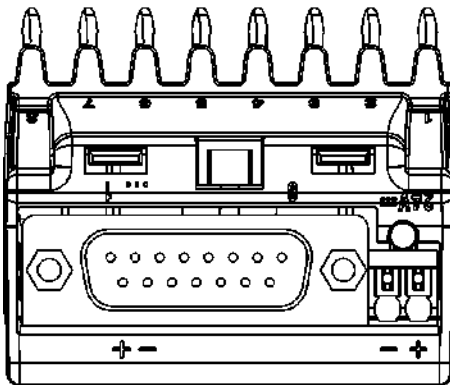
Wiring diagram



Dimensional drawing

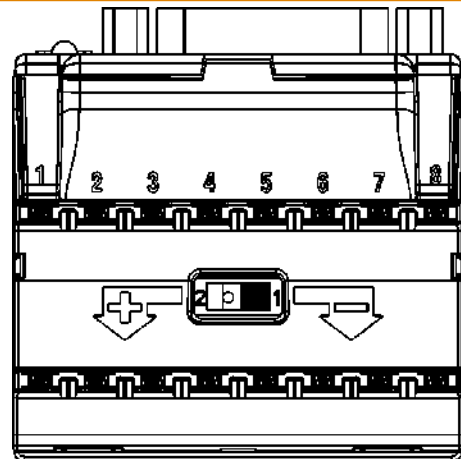


Dimensional drawing



Top view

Dimensional drawing



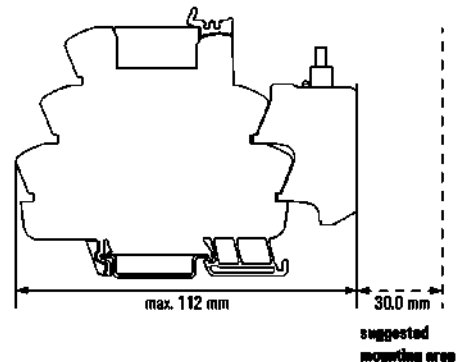
Front view

Example of use



Dimensional drawing

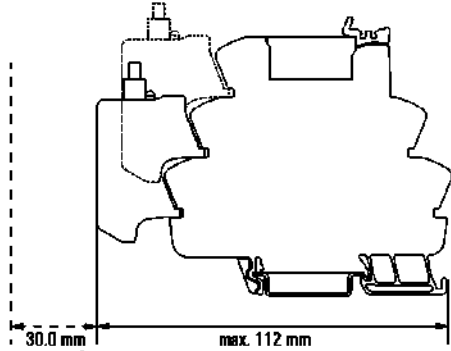
**Mounting adapter on input
of TERMSERIES socket**



Mounting of the adapter on the input side of the TERMSERIES socket

**TERMSERIES
TIA SUBD 15S**

Weidmüller Interface GmbH & Co. KG
Klingenbergstraße 16
D-32758 Detmold
Germany
Fon: +49 5231 14-0
Fax: +49 5231 14-292083
www.weidmueller.com

Drawings**Dimensional drawing****Mounting adapter on output
of TERMSERIES socket**

Mounting of the adapter on the output
side of the TERMSERIES socket