

**OMNIMATE Housing - series CH20M
SK S-KIT - CH20M12**

Weidmüller Interface GmbH & Co. KG
 Klingenbergstraße 26
 D-32758 Detmold
 Germany
 Fon: +49 5231 14-0
 Fax: +49 5231 14-292083
 www.weidmueller.com

Product image

OMNIMATE Signal and OMNIMATE Power are PCB terminal blocks, plug-in connector and panel feedthrough terminal blocks for industrial applications with a focus on signal processing and power electronics.

Power for high currents up to 232 A and voltages up to 1000 V (IEC) or 230 A at 600 V (UL). The components are optimised for application-oriented design, efficient production and reliable application.

OMNIMATE Data are RJ45 and USB circuit board sockets for safe data transmission in the Industrial Ethernet environment.

RJ45 components from Weidmüller ensure reliable transmission with high data rates up to 1 Gbit/s. With different variants for THT, THR or SMT solder processes, the female sockets are suitable for all common techniques of PCB assembly. The different design types of the RJ45 circuit board sockets allow adaptation to the individual enclosure design.

General ordering data

Type	SK S-KIT - CH20M12
Order No.	1167190000
Version	Electronics housing sample, OMNIMATE Housing - series CH20M black, Sample kit for developers, consisting of individual parts incl. female plug, Width: 12.5 mm
GTIN (EAN)	4032248958207
Qty.	1 pc(s).

Data sheet

**OMNIMATE Housing - series CH20M
SK S-KIT - CH20M12**

Weidmüller Interface GmbH & Co. KG
 Klingenbergstraße 26
 D-32758 Detmold
 Germany
 Fon: +49 5231 14-0
 Fax: +49 5231 14-292083
 www.weidmueller.com

Technical data

Dimensions and weights

Length	119.2 mm	Length (inches)	4.693 inch
Width	12.5 mm	Width (inches)	0.492 inch
Height	113.6 mm	Height (inches)	4.472 inch
Net weight	136 g		

Classifications

ETIM 6.0	EC001031	ETIM 7.0	EC001031
eClass 9.0	27-18-27-02	eClass 9.1	27-18-27-92
eClass 10.0	27-18-27-02		

Approvals

Approvals



ROHS Conform

Downloads

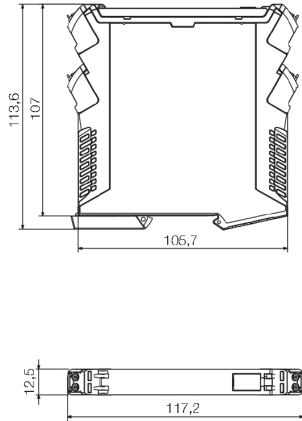
Brochure/Catalogue [MB DEVICE MANUF. EN](#)
[FL 72H SAMPLE SER EN](#)
[PO OMNIMATE EN](#)

**OMNIMATE Housing - series CH20M
SK S-KIT - CH20M12**

Weidmüller Interface GmbH & Co. KG
 Klingenbergstraße 26
 D-32758 Detmold
 Germany
 Fon: +49 5231 14-0
 Fax: +49 5231 14-292083
 www.weidmueller.com

Drawings

Dimensional drawing



Dimensional drawing

